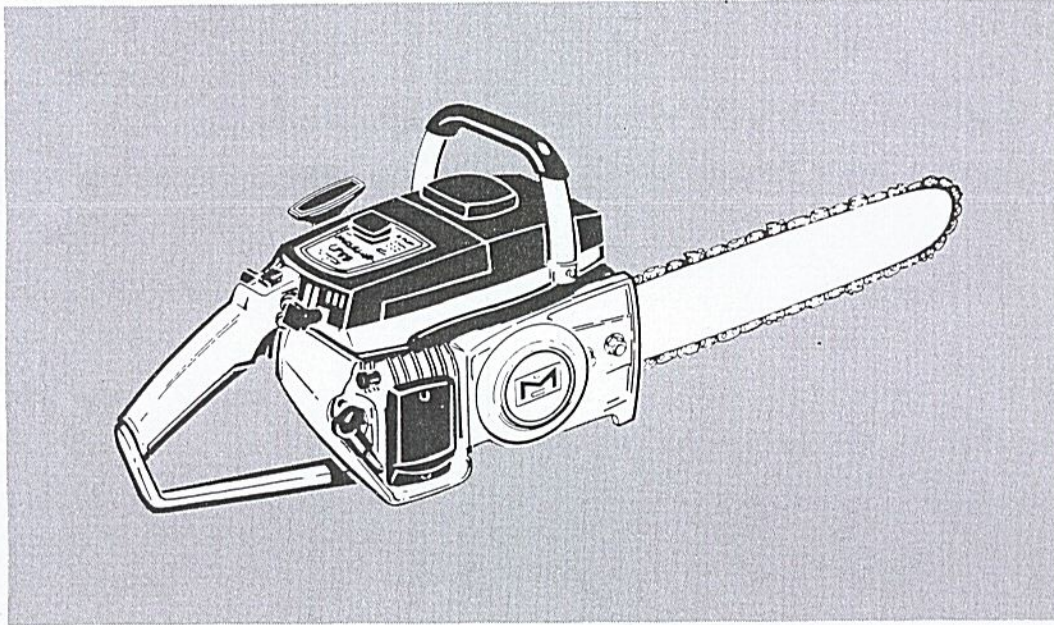


# MAC 7-10A Chain Saw

MODEL 600052 - SERIAL NUMBERS PREFIXED 11-

## ILLUSTRATED PARTS LIST



AUGUST 1971

The policy of McCulloch Corporation is one of continual improvement in design, manufacturing and engineering advancement wherever possible to assure still finer two-cycle power tools. Hence, specifications, equipment, colors, design and manufacturer's suggested list prices are subject to change without notice and McCulloch Corporation reserves the right to make such changes without prior notification or obligation to backfit or supply backfit components for units previously shipped from the factory.

	Page
Figure 1. General . . . . .	2
Figure 2. Fan Housing & Starter Assemblies . . . . .	4
Figure 3. Fuel Tank Assembly . . . . .	4
Figure 4. Carburetor Assembly . . . . .	6
Figure 5. Powerhead Assembly . . . . .	8
Figure 6. Bar & Chain Assembly . . . . .	10



# McCULLOCH

# MAC 7-10A

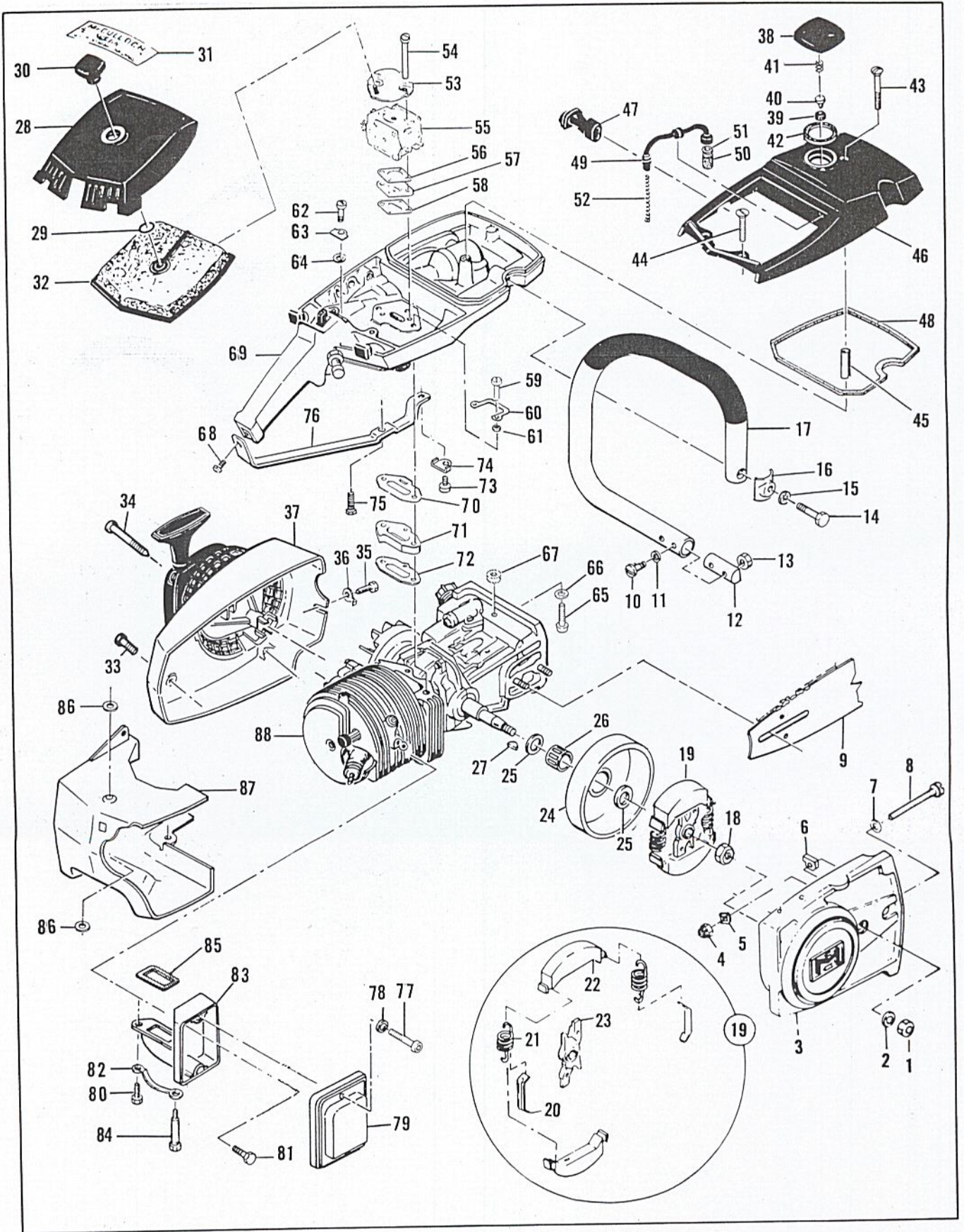


Figure 1. General

FIGURE 1. GENERAL

Item No.	Part Number	Description	Units Per Assy
1	110454	Nut - Hex 5/16-24	2
2	100440	Washer - 5/16	2
3	84530	Clutch Guard Assy	1
4	102067	. Nut - Hex 10-24	1
5	110387	. Washer - Wavey	1
6	61705	. Nut - Bar adjustment	1
7	110264	. Washer - #10	1
8	102144	. Screw - Bar adjustment	1
9		Bar & Chain Assy (See Figure 6)	
10	102761	Screw - Hex hd 10-24 x 7/8	2
11	100352	Washer - #10	2
12	61678	Plug - Nut retainer	1
13	101326	Nut - Hex 10-24	2
14	102130	Screw - Hex hd 1/4-20 x 1-1/2	1
15	100153	Lockwasher - 1/4	1
16	63484	Clamp - Frame	1
17	85770	Frame & Grip Assy	1
18	110594	Nut - Hex 3/8-24	1
19	67544	Clutch Assy	1
20	64583	. Retainer - Spring	2
21	66384	. Spring - Clutch	2
22	67233	. Shoe - Clutch	2
23	62204C	. Rotor Assy	1
24	65370	Kit - Sprocket & Drum	1
25	61692	. Shim	2
26	110330	Bearing	1
27	103879	Key - Woodruff	1
28	68530	Cover Assy - Air cleaner	1
29	110565	. Ring - Retainer	1
30	68529	. Knob - Cover	1
31	85014	Nameplate	1
32	69922	Filter Assy - Air	1
33	110684	Screw - Pan hd 10-24 x 3/8	1
34	62978	Screw - Special	3
35	102762	Screw - Hex hd 10-24 x 1/2	1
36	69890	Lockplate	1
37		Fan Housing & Starter Assy (See Figure 2)	
38	68531	Cap Assy - Fuel	1
39	68533	. Plug	1
40	63041	. Valve	1
41	63040	. Spring	1
42	69767	. Gasket	1
43	110402	Screw - Oval hd 12-24 x 2-3/8	1
44	103579	Screw - Fl hd 10-24 x 1	2
45	69686	Spacer	1

Item No.	Part Number	Description	Units Per Assy
46	84252	Cover - Fuel tank	1
47	84253	Boot - Carburetor	1
48	69345	Gasket - Cover	1
49	64848	Hose Assy - Fuel	1
50	63932	. Filter - Fuel	1
51	100440	. Washer	1
52	67944	Spring - Hose	1
53	83204	Bracket Assy	1
54	103357	. Screw - Hex hd 10-24 x 2-1/4	2
55		Carburetor Assy (See Figure 4)	
56	83059	Gasket - Carburetor	1
57	84078	Spacer - Carburetor	1
58	84081	Gasket - Spacer	1
59	110567	Screw - Hex hd 12-24 x 1-1/4	2
60	68582	Lockplate	1
61	102115	Washer - #12	2
62	110568	Screw - Hex hd 12-24 x 1-1/8	1
63	69516	Lockplate	1
64	64856	Washer - Special	1
65	110713	Screw - Skt hd 10-24 x 7/8	1
66	100003	Washer - #10	1
67	69772	Spacer	1
68	106078	Screw - Pan hd 10-24 x 7/16	1
69		Fuel Tank Assy (See Figure 3)	
70	84082	Gasket - Fuel tank	1
71	84080	Insulator - Fuel tank	1
72	68594	Gasket - Insulator	1
73	110566	Screw - Hex hd 12-24 x 5/8	1
74	68508	Lockplate	1
75	110682	Screw - Hex hd 10-24 x 5/8	1
76	85007	Brace - Handle	1
77	101563	Screw - Skt hd 10-24 x 1-1/4	2
78	110264	Washer - #10	2
79	83966	Cover - Muffler	1
80	84776	Screw - Special	1
81	110529	Screw - Hex hd 10-24 x 1/2	1
82	67922	Lockplate	1
83	83106	Body & Duct Assy	1
84	68187	. Screw - Special	1
85	84007	Gasket - Spark arrester	1
86	68581	Insulator - Shroud	2
87	85731	Shroud	1
88		Powerhead Assy (See Figure 5)	

# MAC 7-10A

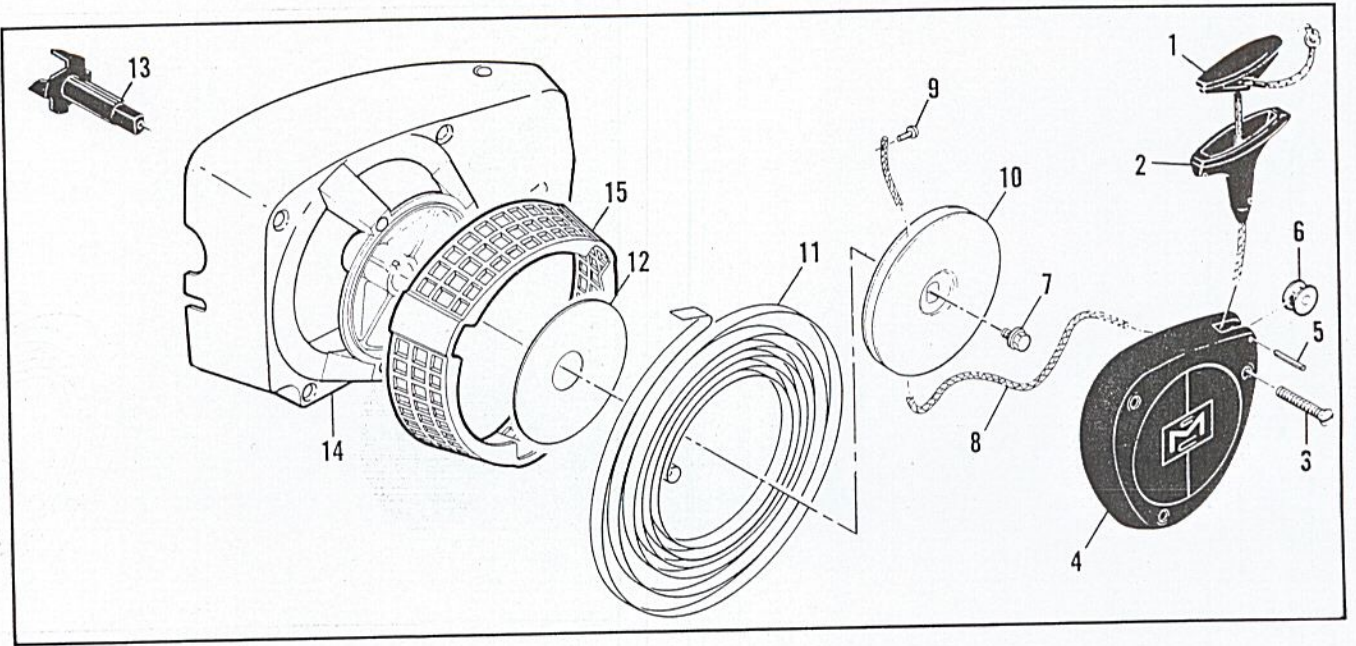


Figure 2. Fan Housing & Starter Assemblies

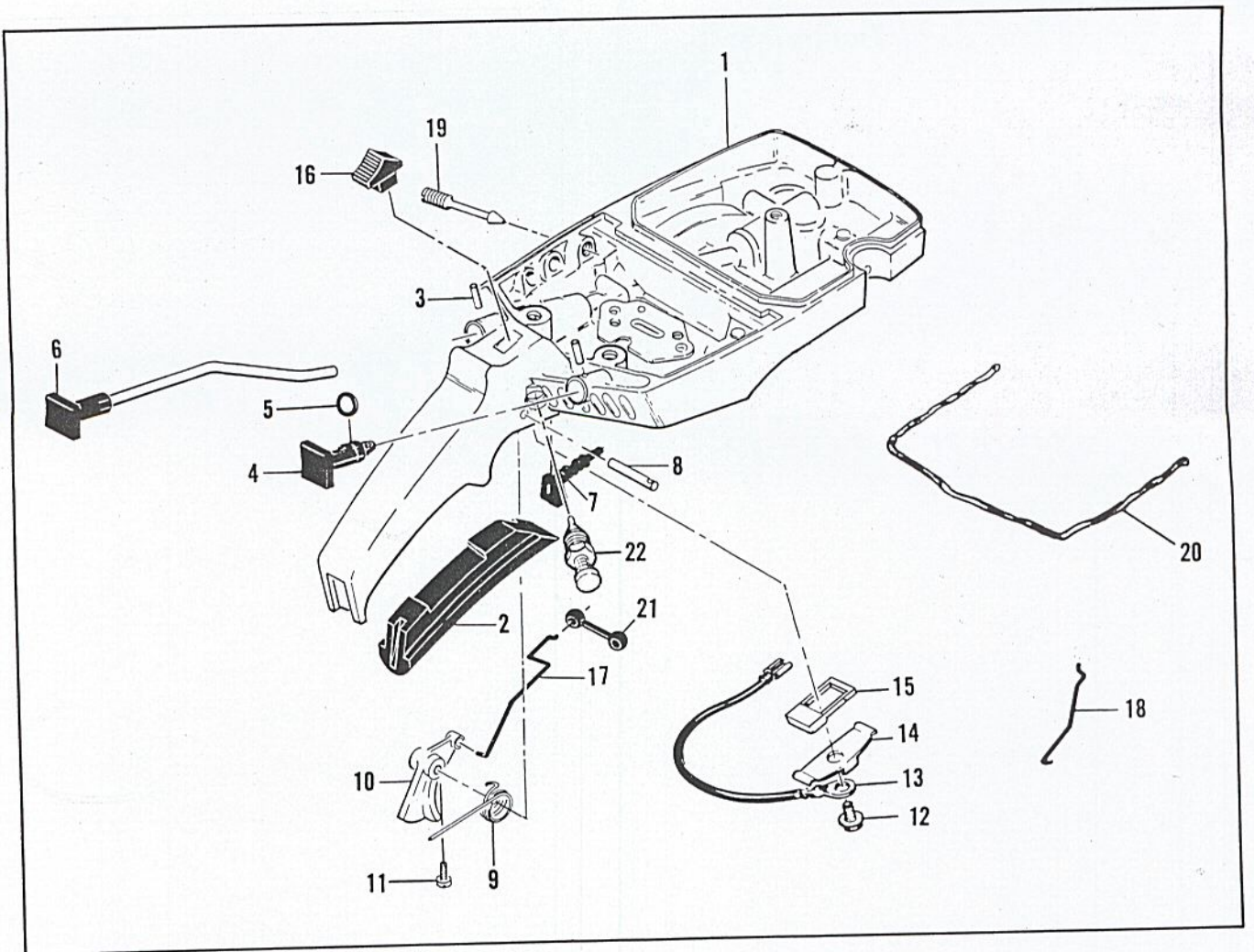


Figure 3. Fuel Tank Assembly

FIGURE 2. FAN HOUSING & STARTER ASSEMBLIES

Item No.	Part Number	Description	Units Per Assy
1	62191A	Insert - Starter handle	1
2	62190A	Handle - Starter	1
3	110646	Screw - Oval hd 8-32 x 1-1/8	3
4	84559	Cover Assy - Starter	1
5	110657	Pin - Roll	1
6	84051	Pulley - Rope	1
7	110529	Screw - Hex hd 10-24 x 1/2	1

Item No.	Part Number	Description	Units Per Assy
8	69964	Rope - Starter	1
9	110470	Rivet - Rope	1
10	85122	Drum - Starter	1
11	83334	Spring - Rewind	1
12	83994	Shield - Spring	1
13	83748	Shaft - Starter	1
14	86051	Kit - Fan housing	1
15	85676	Guard - Sawdust	1

FIGURE 3. FUEL TANK ASSEMBLY

Item No.	Part Number	Description	Units Per Assy
1	84183	Fuel Tank Assy	1
2	64872	Grip - Handle	1
3	105673	Pin - Roll 3/32 x 9/16	2
4	69041	Button - Choke	1
5	101056	"O" Ring	1
6	64871	Button & Rod Assy	1
7	68522	Seal - Throttle rod	1
8	110378	Pin - Roll 3/16 x 15/16	1
9	86027	Spring - Throttle return	1
10	85978	Trigger	1
11	110668	Screw - Fil hd 8-36 x 5/8	1

Item No.	Part Number	Description	Units Per Assy
12	103672	Screw - Fil hd 8-32 x 1/2 (SEMS)	1
13	62973A	Wire Assy - Stop switch	1
14	62451	Contact - Switch	1
15	62950A	Base - Switch	1
16	62951	Button - Switch	1
17	68170	Rod - Throttle	1
18	69042	Rod - Choke	1
19	67271	Screw - Idle adjustment	1
20	*69564	Seal - Airbox	AR
21	69043	Snubber - Rod	1
22	85451	Latch Assy - Throttle	1

\*Furnished on a 12-1/2 inch strip containing 9 beads of sealant (enough for 9 replacements).

# MAC 7-10A

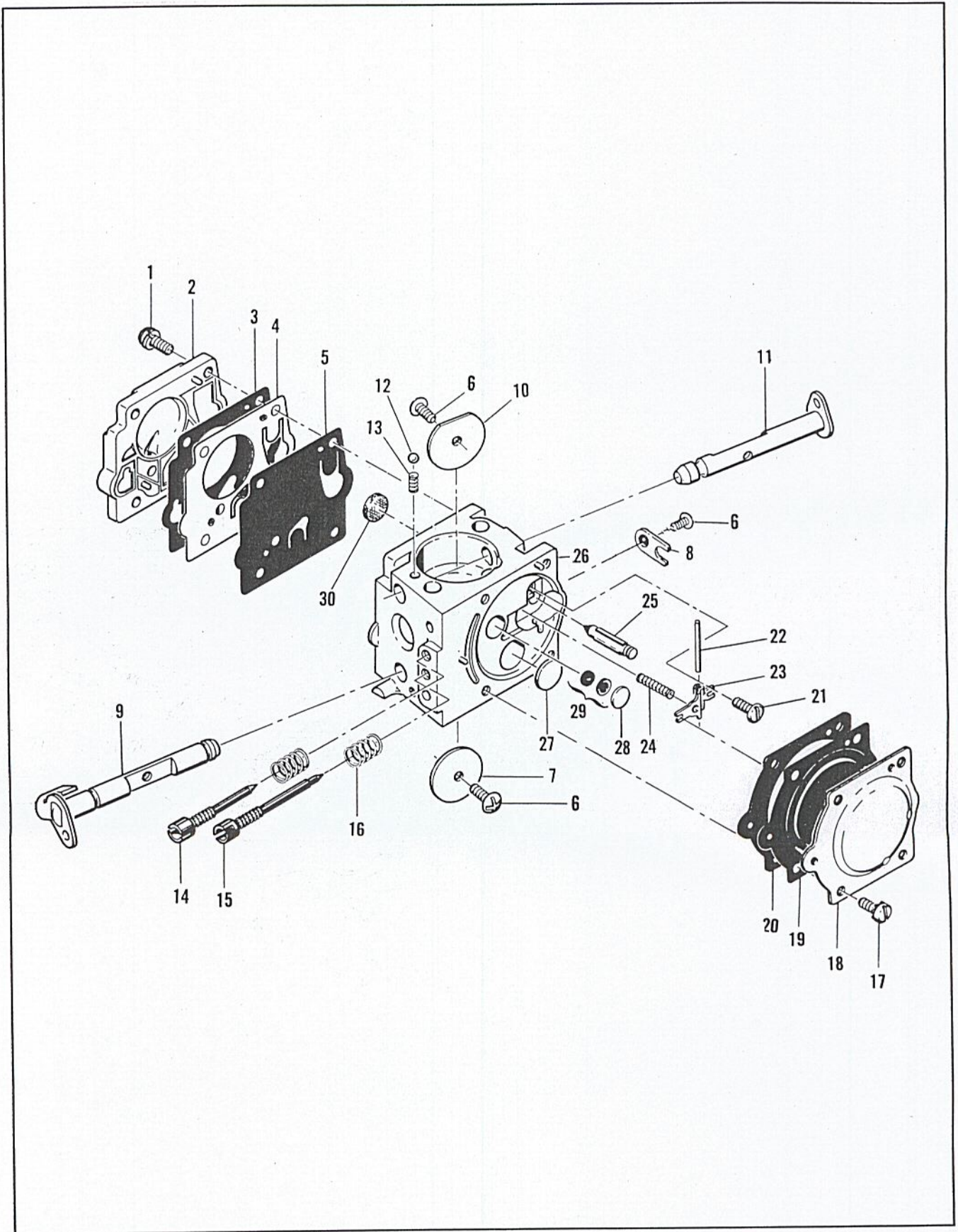


Figure 4. Carburetor Assembly

FIGURE 4. CARBURETOR ASSEMBLY

Item No.	Part Number	Description	Units Per Assy
	84015	Carburetor Assy	1
1	67501	. Screw - Pump cover	4
2	83760	. Cover - Pump	1
3	*67495	. Gasket - Cover	1
4	*67498	. Diaphragm - Check valve	1
5	*83114	. Diaphragm - Fuel pump	1
6	*47690	. Screw - Plate	3
7	83762	. Plate - Throttle	1
8	67489	. Clip - Shaft	1
9	67486	. Shaft Assy - Throttle	1
10	67490	. Plate - Choke	1
11	67488	. Shaft Assy - Choke	1
12	*100302	. Ball - Choke friction	1
13	*67504	. Spring - Choke	1
14	*67506	. Needle - High speed	1
15	*67505	. Needle - Idle	1
16	*67502	. Spring - Needle	2

Item No.	Part Number	Description	Units Per Assy
17	70798	. Screw - Diaphragm cover	4
18	83761	. Cover - Diaphragm	1
19	*67499	. Diaphragm - Metering	1
20	*67496	. Gasket - Diaphragm	1
21	*67500	. Screw - Lever pin	1
22	*67508	. Pin - Lever	1
23	*67509	. Lever - Metering	1
24	*67503	. Spring - Lever	1
25	*67491	. Valve - Needle	1
26	83759	. Body Assy - Carburetor	1
27	*71690	. . Plug - 3/8	1
28	*69506	. . Plug - 5/16	1
29	83758	. . Kit - Valve & Seat Assy	1
30	*67507	. . Screen - Fuel	1
	*67482	Gasket Set	
	67481	Repair Kit	

\*Indicates parts included in Repair Kit, P/N 67481

# MAC 7-10A

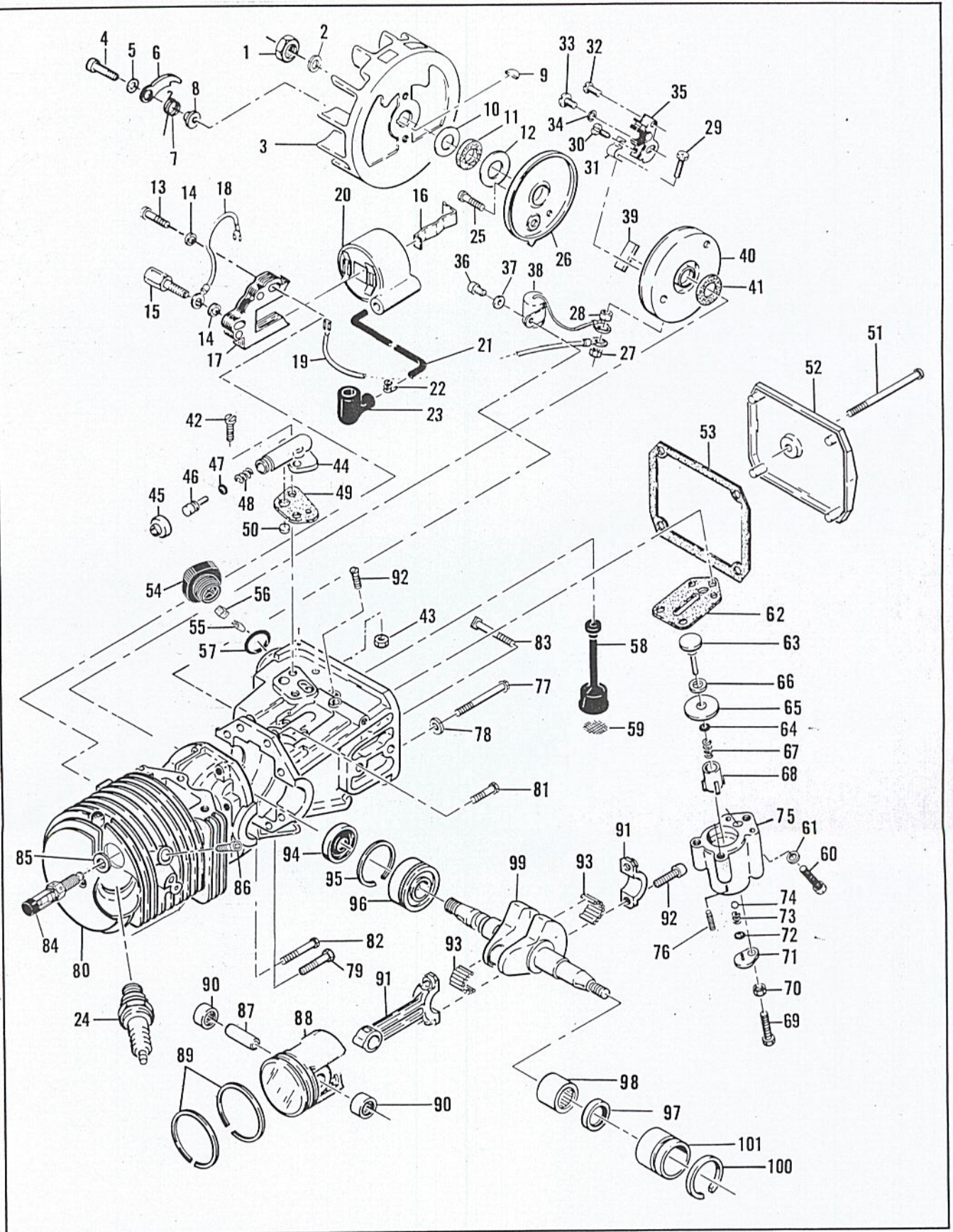


Figure 5. Powerhead Assembly



FIGURE 5. POWERHEAD ASSEMBLY

Item No.	Part Number	Description	Units Per Assy
1	110594	Nut - Hex 3/8-24	1
2	105999	Washer - 3/8	1
3	84681	Flywheel	1
4	110713	Screw - Skt hd 10-24 x 7/8	2
5	83241	Washer - Special	2
6	67546	Pawl - Starter	2
7	67545	Spring - Pawl	2
8	67547	Pivot - Pawl	2
9	103879	Key - Woodruff	1
10	67057	Washer - Thrust	1
11	67056	Seal - Breaker box cover	1
12	67054	Washer - Thrust	1
13	110127	Screw - Hex hd 10-24 x 7/8 (SEMS)	1
14	100003	Washer - #10	2
15	83512	Stud - Special	1
16	51253	Retainer - Coil	1
17	85138	Lamination Assy	1
18	84686	Wire Assy - Ground	1
19	69344	Wire Assy - Primary	1
20	84972	Kit - Coil	1
21	50120	Wire Assy - Spark plug	1
22	55061	Connector	1
23	55060	Boot	1
24	63432	Spark Plug - AC CS 42 T	1
25	110349	Screw - Rd hd 8/32 x 3/4	1
26	62362	Cover - Breaker box	1
27	100298	Nut - Hex 6-32	1
28	62365	Spacer - Breaker	1
29	110346	Screw - Hex hd 6-32 x 3/4	1
30	110489	Screw - Pan hd 6-32 x 7/16 s/t	1
31	83126	Strap - Conduction	1
32	100934	Screw - Rd hd 8-32 x 3/8	1
33	110445	Screw - Truss hd 8-32 x 3/8	1
34	105976	Washer - #8	1
35	66231	Breaker Assy	1
36	103672	Screw - Fil hd 8-32 x 1/2 (SEMS)	1
37	100080	Washer - #8	1
38	67960	Condenser	1
39	54184	Wiper - Cam	1
40	84329	Box - Breaker	1
41	67051	Seal - Breaker box	1
42	110623	Screw - Fil hd 8-32 x 1/2	2
43	100955	Nut - Hex 8-32	1
44	84156	Housing - Pump	1
45	62262	Cap - Housing	1
46	62266	Plunger - Pump	1
47	101056	"O" Ring	1
48	66687	Spring - Pump	1
49	62230	Gasket - Pump	1
50	62909	Valve - Pump	1
51	110291	Screw - Pan hd 10-24 x 2-5/8	1

Item No.	Part Number	Description	Units Per Assy
52	63072	Cover - Oil tank	1
53	62116	Gasket - Cover	1
54	68809	Cap - Oil tank	1
55	110737	Clip - Plug	1
56	84953	Plug - Cap	1
57	101148	"O" Ring	1
58	62123B	Hose Assy - Oil	1
59	51506	Screen - Hose	1
60	110713	Screw - Skt hd 10-24 x 7/8	1
61	24236	Washer - Special	1
62	83790	Gasket - Pulse pump	1
	83786	Pump Assy - Pulse	1
63	60260A	Piston Assy - Pump	1
64	104001	"O" Ring	1
65	60263	Ring - Piston	1
66	60937	Washer - Teflon	1
67	60259	Spring - Piston	1
68	62227	Sleeve - Adjustment	1
69	110386	Screw - Hex hd 8-32 x 1	1
70	100251	Nut - Hex 8-32	1
71	62407	Cover - Outlet valve	1
72	106104	"O" Ring	1
73	62885A	Spring - Outlet valve	1
74	102809	Ball	1
75	83787	Body Assy - Pump	1
76	110643	Screw - Set	1
77	62105	Screw Assy - Sealing	4
78	62842	Washer - Sealing	4
79	110288	Screw Assy - Hex 8-32 x 3/4	1
80	85771	Crankcase Assy	1
81	110288	Screw Assy - Hex 8-32 x 3/4	2
82	110618	Screw Assy - Hex 8-32 x 1-3/8	1
83	62065	Bolt - Bar mounting	2
84	84785	Valve - Comp. rel.	1
85	85505	Washer - Valve	1
86	110681	Screw - Skt hd 10-24 x 1/4	1
87	69020	Pin - Piston	1
88	85239	Piston Assy	1
89	85241	Ring Set - Piston	1
90	110590	Bearing - Needle	2
91	85352	Connecting Rod Assy	1
92	61627A	Screw - Skt hd special	2
93	63225	Roller - Needle (set of 20)	1
94	61618	Seal - Oil	1
95	63464	Ring - Snap	1
96	63429B	Bearing - Ball	1
97	110260	Seal - Oil	1
98	104357	Bearing - Needle	1
99	85125	Crankshaft	1
100	63699	Ring - Bearing insert	1
101	63701	Insert - Bearing	1

# MAC 7-10A

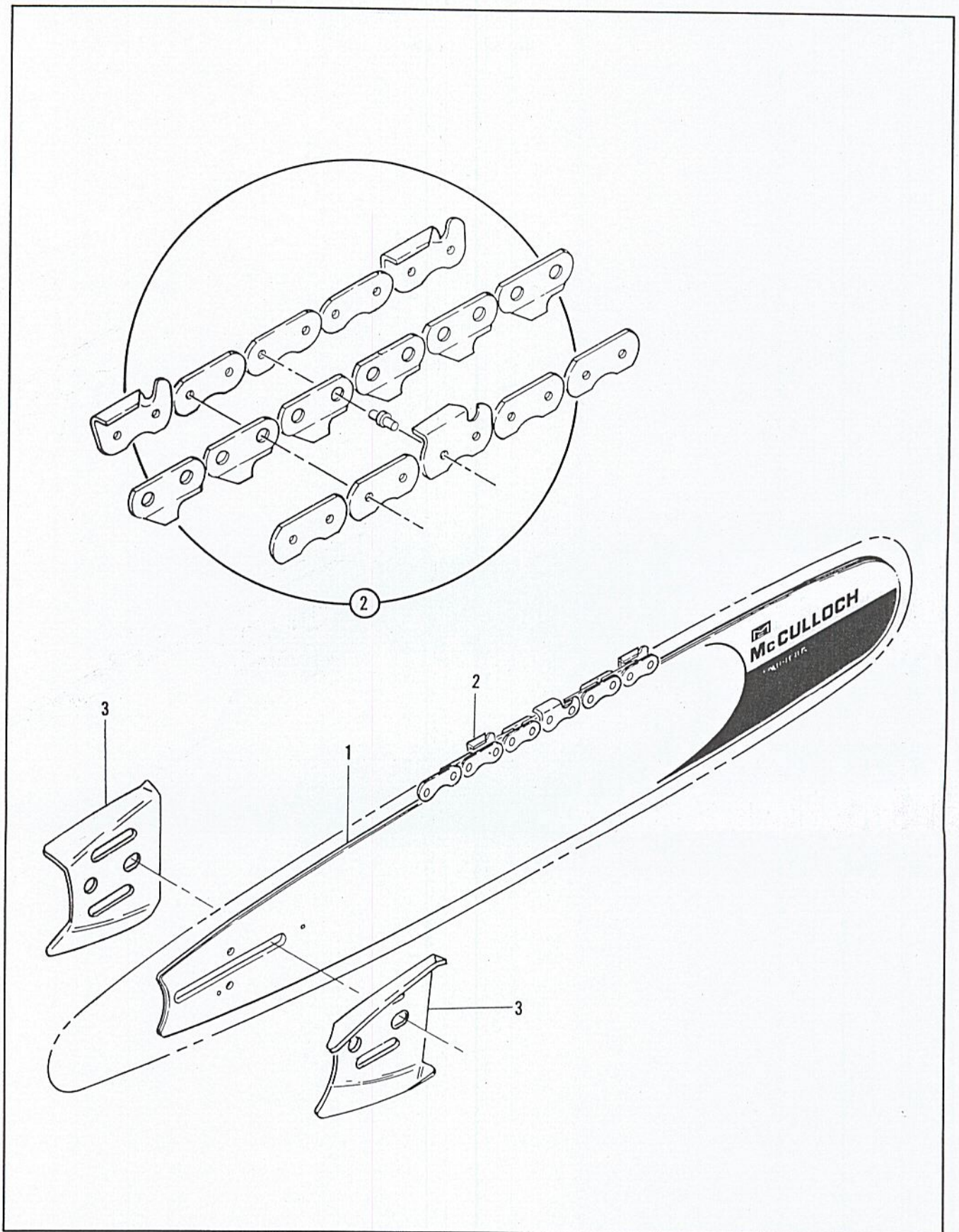


Figure 6. Bar & Chain Assembly

FIGURE 6. BAR AND CHAIN ASSEMBLIES

Item No.	Part Number	Description	Units Per Assy
1	63541	Bar	
2	62556M	Chain Assy	

Item No.	Part Number	Description	Units Per Assy
3	64330	Set - Bar Plate	1
	64325	Plate - Bar	2

SERVICE SPECIFICATIONS

Spark Plug Gap -----	0.025 in.
Lamination Gap -----	0.010 to 0.015 in.
Breaker Point Gap -----	0.018 in.
Carburetor Adjustment	
Idle Needle - Preliminary adjustment 1 turn open.	
Adjust for smooth idle and acceleration.	
Main Needle - Preliminary adjustment 1 turn open.	
Adjust for maximum power under load.	
Torque Values	
Flywheel Nut -----	240 to 300 inch-pounds.
Clutch Nut -----	160 to 170 inch-pounds.
Connecting Rod Screws -----	65 to 70 inch-pounds.

ACCESSORIES

Part Number	Description
85726	Manual - Owner's
62827	Wrench - Screwdriver
63746	Scrench
63341A	Kit - Spike
86334	Kit - Wrap-around frame
84922	Kit - Baffle
65712	Guide - Timing
63097	Spark Plug - AC CS 45 T
65778	Spark Plug - AC CS 41 T

Part Number	Description
69191	Kit - Pressure adaptor
84453	Kit - Piston tool
*69031	Piston Assy (0.020 in. oversize)
*63291	. Ring Set (0.020 in. oversize)
103085	. Bearing - Needle (2)
*69032	Piston Assy (0.030 in. oversize)
*63292	. Ring Set (0.030 in. oversize)
103085	. Bearing - Needle (2)

\*For original MAC 7-10A engines (Serial numbers prefixed 10-), and having cast iron cylinder liners ONLY.