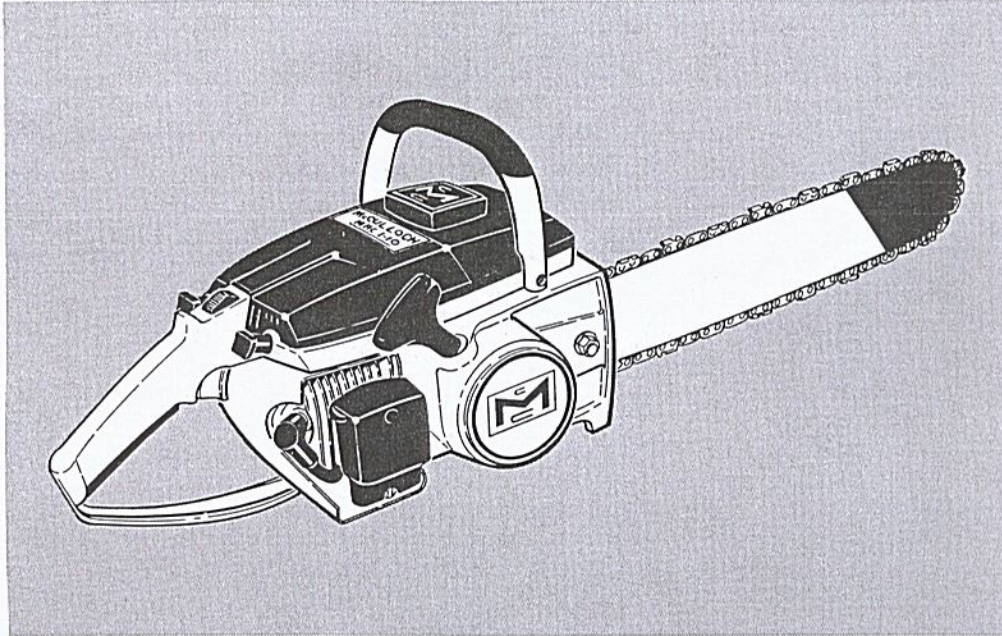


# MAC 1-10 Chain Saw

Serial Numbers Prefixed 11-

## ILLUSTRATED PARTS LIST



October 1967

The policy of McCulloch Corporation is one of continual improvement in design, manufacturing and engineering advancement wherever possible to assure still finer two-cycle power tools. Hence, specifications, equipment, colors, design and manufacturer's suggested list prices are subject to change without notice and McCulloch Corporation reserves the right to make such changes without prior notification or obligation to backfit or supply backfit components for units previously shipped from the factory.

	Page
Figure 1. Engine Exploded View - General	2
Figure 2. Clutch Guard & Starter Assembly	4
Figure 3. Fuel Tank Assembly	5
Figure 4. Carburetor Assembly	6
Figure 5. Powerhead Assembly	8
Figure 6. Bar and Chain Assembly	10



# McCULLOCH

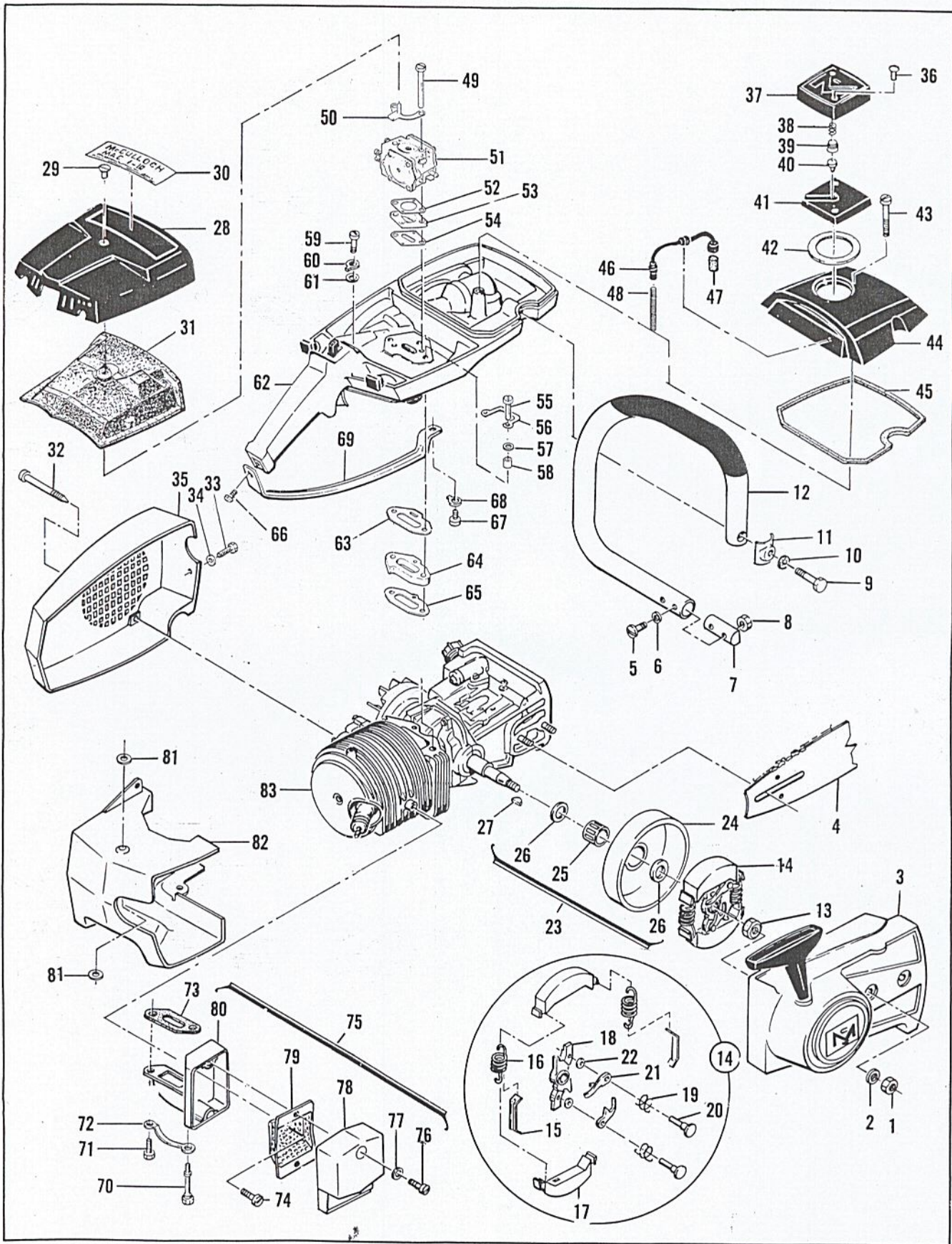


Figure 1. Engine Exploded View - General

Figure 1. Engine Exploded View - General

Item No.	Part Number	Description	Units Per Assy	Item No.	Part Number	Description	Units Per Assy
1	110454	Nut - Hex 5/16-24	2	41	64761	. Body	1
2	100440	Washer - 5/16	2	42	65671	. Gasket	1
3		Clutch Guard & Starter Assy (See Figure 2)	1	43	110334	Screw - Oval hd 12-24 x 1-3/4	1
4		Bar & Chain (See Figure 6)	1	44	63656	Cover - Fuel tank	1
5	102761	Screw - Hex hd 10-24 x 7/8	2	45	62102	Gasket - Cover	1
6	100352	Washer - #10	2	46	64848	Hose Assy - Fuel	1
7	61678	Plug - Nut retainer	1	47	63932	. Filter - Fuel	1
8	101326	Nut - Hex 10-24	2	48	-67944	Spring	1
9	102130	Screw - Hex 1/4-20 x 1-1/2	1	49	-103356	Screw - Hex hd 10-24 x 2-1/8	2
10	100153	Lockwasher - 1/4	1	50	-66681	Bracket Assy	1
11	63484	Clamp - Frame	1	51		Carburetor Assy (See Figure 4)	1
12	66310	Frame & Grip Assy	1	52	-68132	Gasket - Carburetor	1
13	103746	Nut - Hex 3/8-24	1	53	-66678	Spacer - Carburetor	1
14	-67148	Clutch Assy	1	54	-68131	Gasket - Spacer	1
15	64583	. Retainer	2	55	-110507	Screw - Hex hd 10-24 x 1-3/8	2
16	-66384	. Spring - Clutch	2	56	-68126	Lockplate	1
17	-67233	. Shoe - Clutch	2	57	-100003	Washer - #10	2
18	-67149	. Rotor Assy	1	58	-66189	Sleeve	2
19	67111	. . Spring - Pawl	2	59	-110516	Screw - Hex hd 10-24 x 1-1/8	1
20	-67112	. . Rivet	2	60	63475	Lockplate	1
21	64857	. . Pawl	2	61	-64856	Washer - #10	1
22	65473	. . Washer - Special	2	62		Fuel Tank Assy (See Figure 3)	1
23	65370	Kit - Sprocket, Drum & Bearing Assy	1	63	-68130	Gasket - Fuel tank	1
24	65368	. Sprocket & Drum Assy	1	64	-66659	Insulator - Fuel tank	1
25	110330	. Bearing	1	65	-68130	Gasket - Insulator	1
26	61692	. Shim	2	66	110353	Screw - Oval hd 10-24 x 3/8	1
27	103879	Key - Woodruff	1	67	102289	Screw - Hex hd 10-24 x 3/4	1
28	65866	Cover Assy - Air cleaner	1	68	28052	Lockplate	1
29	65813	. Nut	1	69	67141	Brace - Handle	1
30	66451	Nameplate	1	70	-110507	Screw - Hex hd 10-24 x 1-3/8	1
31	-66652	Filter - Air	1	71	-110506	Screw - Hex hd 10-24 x 5/8	1
32	62978	Screw - Special	3	72	-67922	Lockplate	1
33	-105348	Screw - 10-24 x 1/2 (SEMS)	1	73	62337	Gasket - Spark arrester	1
34	-110264	Washer - #10	1	74	110341	Screw - Hex hd 10-24 x 1/2	1
35	-67117	Housing - Fan	1	75	65905	Spark Arrester Assy	1
	67266	Cap Assy	1	76	-102290	. Screw - Hex hd 10-24 x 1-1/8	2
36	110510	. Rivet	2	77	110264	. Washer - #10	2
37	67267	. Cover	1	78	62380	. Cover	1
38	63040	. Spring	1	79	62379B	. Baffle	1
39	62316	. Guide	1	80	65805	. Body & Duct Assy	1
40	63041	. Valve	1	81	62085A	Insulator - Shroud	2
				82	-67377	Shroud	1
				83		Powerhead Assy (See Figure 5)	1

Part numbers which have changed since the previous printing of the illustrated parts list covering this model, are indicated by a dash (-) preceding the new part number. The dash precedes part numbers changed by a letter suffix as well as those changed to an entirely new number.

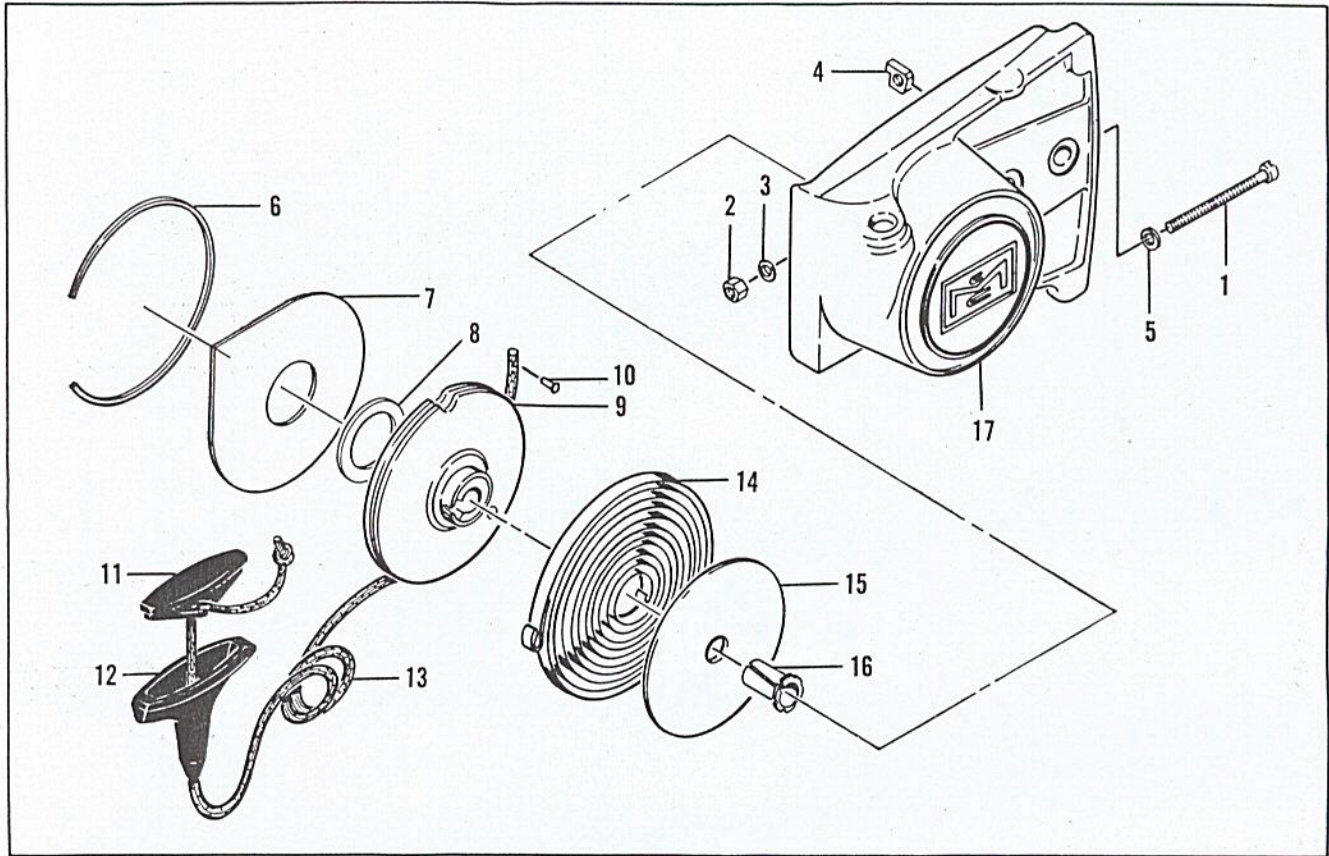


Figure 2. Clutch Guard and Starter Assembly

Item No.	Part Number	Description	Units Per Assy
	67206	Clutch Guard Assy	1
1	102144	. Screw - Bar adjusting	1
2	102067	. Nut - Hex #10	1
3	110387	. Washer - Wave	1
4	61705	. Nut - Bar adjusting	1
5	101174	. Washer - #10	1
6	67205	. Retainer - Shield	1
7	63985	. Shield - Dust	1
8	63986	. Washer - Thrust	1

Item No.	Part Number	Description	Units Per Assy
9	65526	. Drum - Starter	1
10	110470	. Rivet - Starter rope	1
11	62191A	. Insert - Handle	1
12	62190A	. Handle - Starter	1
13	67125	. Rope - Starter	1
14	36059	. Spring - Rewind	1
15	63987	. Shield - Spring	1
16	61635A	. Bushing - Nylon	1
17	67207	. Guard - Clutch	1

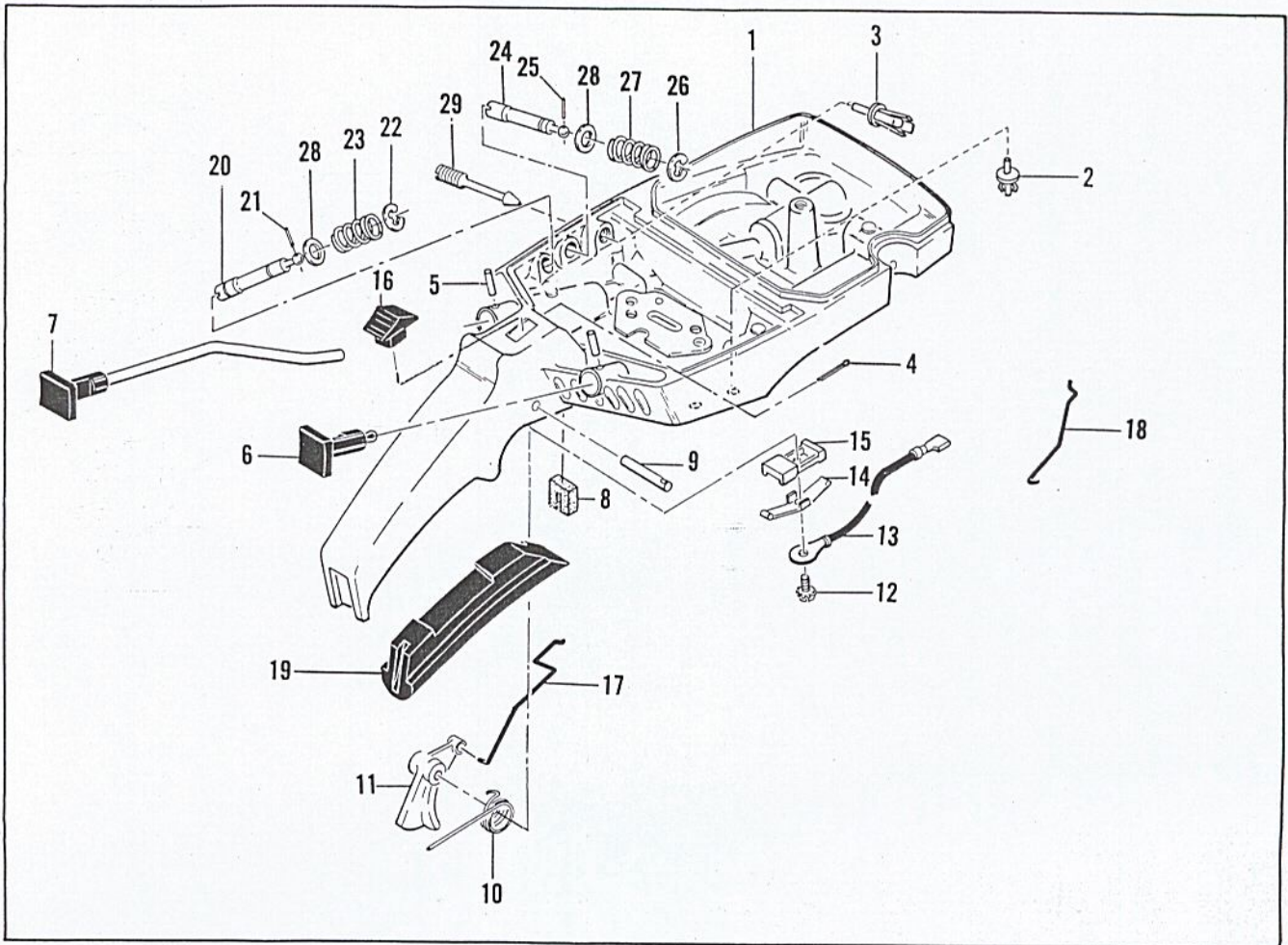


Figure 3. Fuel Tank Assembly

Item No.	Part Number	Description	Units Per Assy
1	- 67200	Fuel Tank Assy	1
2	105788	. Rivet	2
3	- 110531	. Rivet	3
4	- 100010	. Pin - Cotter	1
5	105673	Pin - Roll 3/32 x 9/16	2
6	- 67936	Button - Choke	1
7	64871	Button & Rod Assy	1
8	- 67989	Seal - Throttle rod	1
9	110378	Pin - Roll 3/16 x 1-1/8	1
10	65734	Spring - Throttle return	1
11	- 67232	Trigger	1
12	103672	Screw - Fil hd 8-32 x 1/2 (SEMS)	1
13	62973A	Wire Assy - Stop switch	1
14	62451	Contact - Stop switch	1

Item No.	Part Number	Description	Units Per Assy
15	62950A	Base - Stop switch	1
16	62951	Button - Switch	1
17	- 68170	Rod - Throttle	1
18	67355	Rod - Choke	1
19	64872	Grip - Handle	1
20	- 68102	Extension Assy - High speed	1
21	- 110509	. Pin - Groove	1
22	- 110512	. Ring - Retaining	1
23	- 67363	. Spring	1
24	- 68101	Extension Assy - Idle	1
25	- 110509	. Pin - Groove	1
26	- 110512	. Ring - Retaining	1
27	- 67363	. Spring	1
28	- 67292	Washer	2
29	- 67271	Screw - Idle adjustment	1

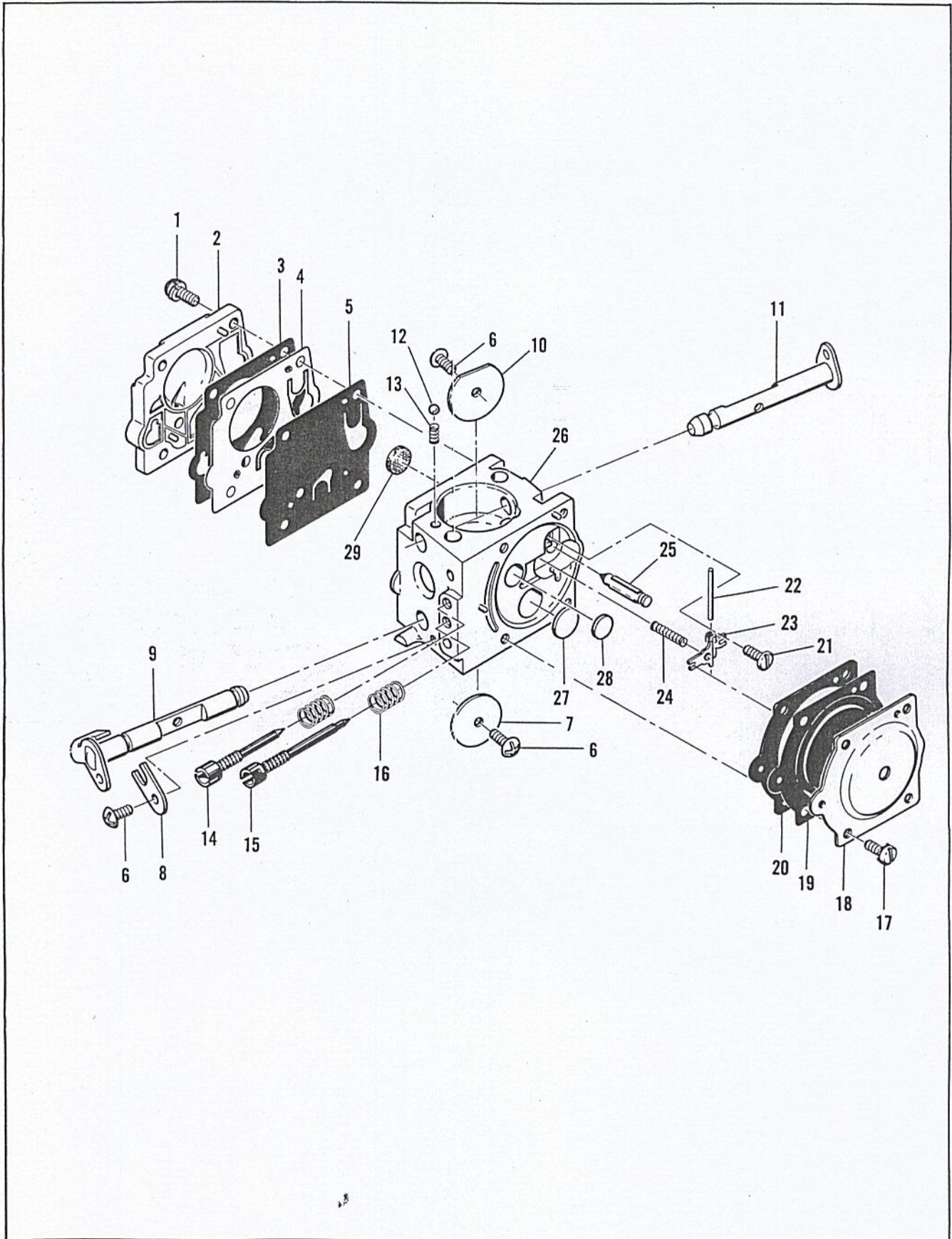


Figure 4. Carburetor Assembly

Figure 4. Carburetor Assembly

Item No.	Part Number	Description	Units Per Assy
	-67379	Carburetor Assy	1
1	-67501	. Screw - Pump cover	4
2	-67484	. Cover - Pump	1
3	*-67495	. Gasket - Cover	1
4	*-67498	. Diaphragm - Check valve	1
5	*-67497	. Diaphragm - Fuel pump	1
6	*-47690	. Screw - Plate	3
7	-67487	. Plate - Throttle	1
8	-67489	. Clip - Shaft	1
9	-67486	. Shaft Assy - Throttle	1
10	-67490	. Plate - Choke	1
11	-67488	. Shaft Assy - Choke	1
12	*-67494	. Ball - Choke friction	1
13	*-67504	. Spring - Choke	1
14	*-67506	. Needle - High speed	1
15	*-67505	. Needle - Idle	1
16	*-67502	. Spring - Needle	2

Item No.	Part Number	Description	Units Per Assy
17	-70798	. Screw - Diaphragm cover	4
18	-67485	. Cover - Diaphragm	1
19	*-67499	. Diaphragm - Metering	1
20	*-67496	. Gasket - Diaphragm	1
21	*-67500	. Screw - Lever pin	1
22	*-67508	. Pin - Lever	1
23	*-67509	. Lever - Metering	1
24	*-67503	. Spring - Lever	1
25	*-67491	. Valve - Needle	1
26	-67483	. Body Assy - Carburetor	1
27	*-67492	. . Plug - 3/8	1
28	*-67493	. . Plug - 5/16	1
29	*-67507	. . Screen - Fuel	1
	*-67482	Gasket Set	
	-67481	Repair Kit	

\*Indicates parts included in Repair Kit, P/N 67481

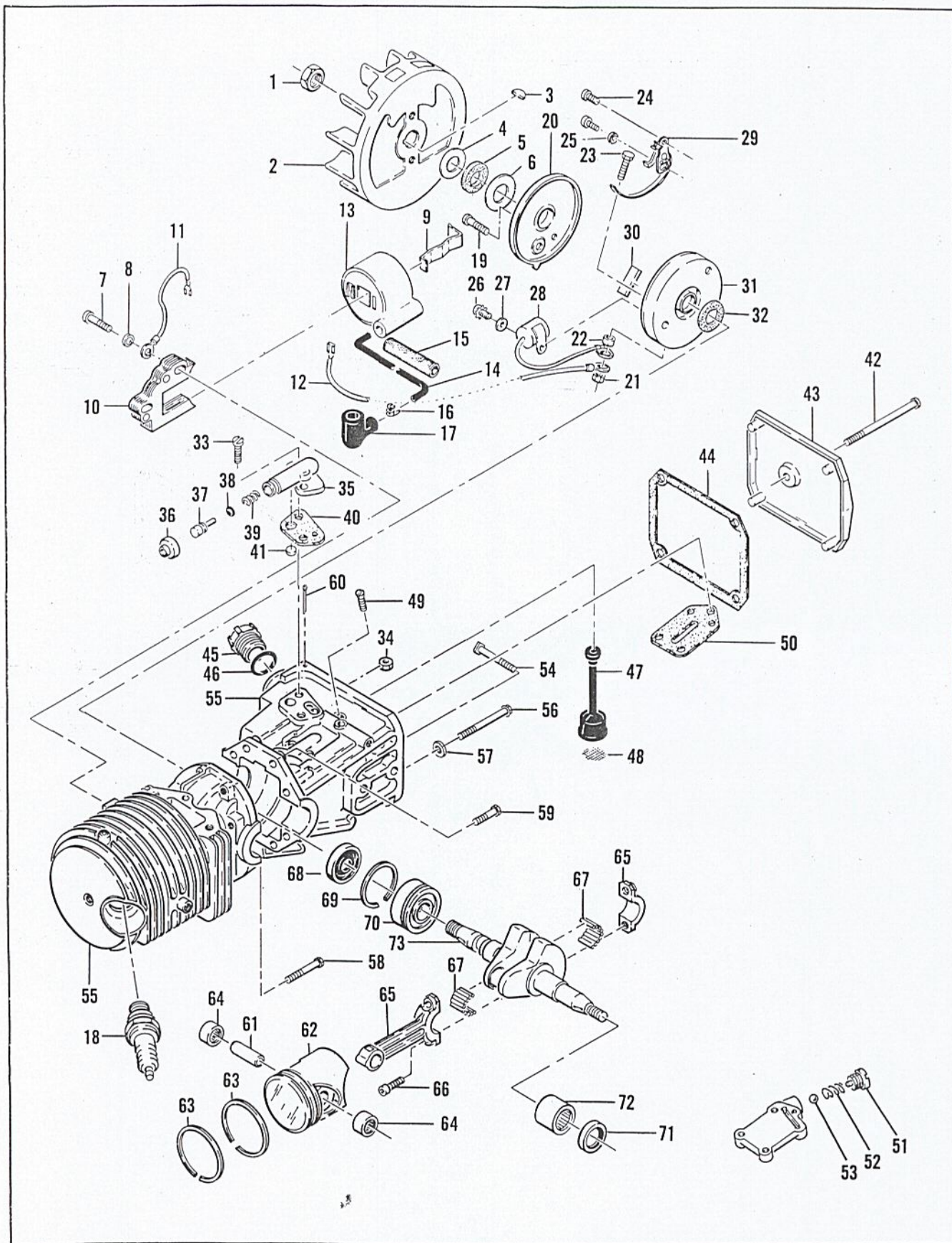


Figure 5. Powerhead Assembly



Figure 5. Powerhead Assembly

Item No.	Part Number	Description	Units Per Assy
1	101391	Nut - Hex 3/8-24	1
2	61737A	Flywheel Assy	1
3	103879	Key - Woodruff	1
4	- 67057	Washer - Thrust	1
5	- 67056	Seal	1
6	- 67054	Washer - Thrust	1
7	- 110127	Screw - Hex hd 10-24 x 7/8 (SEMS)	2
8	100003	Washer - #10	2
9	51253	Retainer - Coil	1
10	- 68164	Lamination Assy	1
11	62819	Wire Assy - Ground	1
12	62818A	Wire Assy - Primary	1
13	62927A	Coil & Terminal Assy	1
14	- 67300	. Wire & Sleeve Assy - Spark plug	1
15	67127	. . Sleeve - Spark plug wire	1
16	62932	. . Connector	1
17	62926	. . Boot	1
18	63097	Spark Plug	1
19	110349	Screw - Rd hd 8-32 x 3/4	1
20	62362	Cover - Breaker box	1
21	100298	Nut - Hex 6-32	1
22	62365	Spacer - Breaker screw	1
23	110346	Screw - Hex hd 6-32 x 3/4	1
24	100934	Screw - Rd hd 8-32 x 3/8	2
25	105976	Washer - #8	1
26	105249	Screw - Rd hd 8-32 x 3/8 (SEMS)	1
27	100080	Washer - #8	1
28	61650	Condenser	1
29	62363	Breaker Assy	1
30	54184	Wiper	1
31	62361	Box - Breaker	1
32	- 67051	Seal	1
33	100414	Screw - Hex hd 8-32 x 1/2	2
34	100955	Nut - Hex 8-32	1
35	62261A	Housing - Pump	1
36	62262	Cap - Housing	1

Item No.	Part Number	Description	Units Per Assy
37	62266	Plunger - Pump	1
38	101056	"O" Ring	1
39	66687	Spring	1
40	62230	Gasket	1
41	62909	Valve	1
42	110291	Screw - Pan hd 10-24 x 2-3/4	1
43	63072	Cover - Oil tank	1
44	62116	Gasket - Cover	1
45	57129A	Cap - Oil tank	1
46	101148	"O" Ring	1
47	62123B	Hose Assy - Oil	1
48	51506	. Screen - Hose	1
49	110333	Screw - Oval hd 8-32 x 1/2	3
50	62274	Gasket - Pulse pump	1
	63263	Body Assy - Check valve	1
51	63262	. Screw - Special	1
52	63034	. Spring - Check valve	1
53	100071	. Ball	1
54	62065	Bolt - Bar mounting	2
55	- 67242	Crankcase Assy	1
56	62105	. Screw Assy - Sealing	4
57	62842	. . Washer - Sealing	4
58	110289	. Screw Assy - 8-32 x 1-1/8	1
59	110288	. Screw Assy - 8-32 x 3/4	3
60	100010	. Pin - Cotter	1
61	61649	Pin - Piston	1
62	62824	Piston Assy	1
63	62814	. Ring Set - Piston	1
64	103512	. Bearing - Needle	2
65	65401	Connecting Rod Assy	1
66	61627A	. Screw - Skt hd 8-36 x 1/2	2
67	63225	. Roller - Needle (set of 20)	1
68	65746	Oil Seal	1
69	63464	Ring - Snap	1
70	63429B	Bearing - Ball	1
71	65747	Oil Seal	1
72	104357	Bearing - Needle	1
73	63336	Crankshaft	1

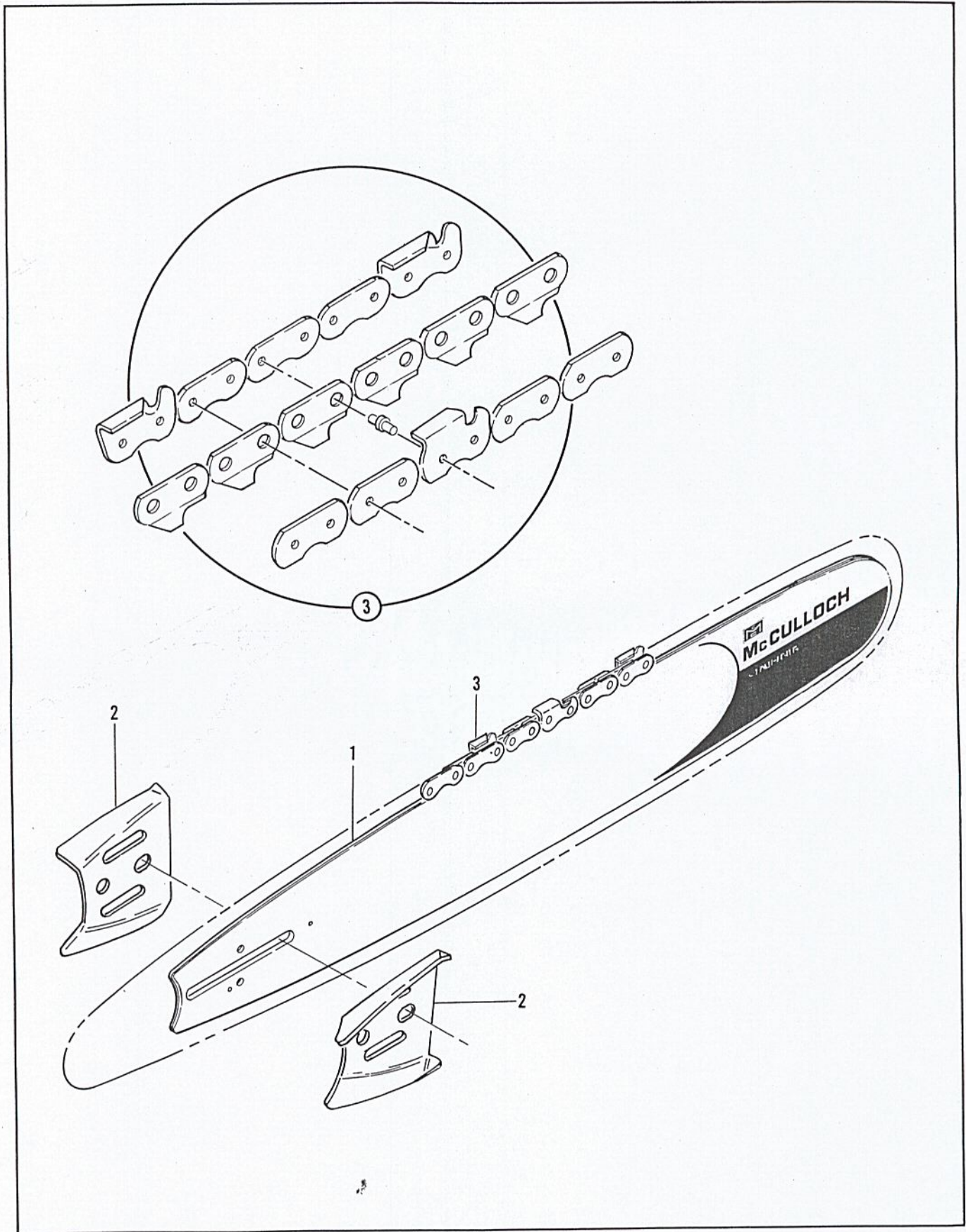


Figure 6. Bar and Chain Assembly

Figure 6. Bar and Chain Assemblies

Item No.	Part Number	Description	Units Per Assy
1	62512	Bar	
2	64325	Plate - Bar protector	2

Item No.	Part Number	Description	Units Per Assy
	63541	Bar (Alternate)	
3	62556M	Chain Assy	

## Accessories

Part Number	Description
- 67943	Manual - Owner's
62827	Wrench
63746	Kit - Wrench
63341A	Kit - Spike
65325	Baffle
65529	Kit - Reed spark arrester
66316	Kit - Wrap around frame
65712	Guide - Timing
63432	Spark Plug - AC CS 42T
63084	Manual - Shop

Part Number	Description
65778	Spark Plug - AC CS 41T
62825	Piston Assy - 0.020 in. oversize
62813	. Ring Set - Piston 0.020 in. oversize
103512	. Bearing - Needle (2)
62826	Piston Assy - 0.030 in. oversize
62812	. Ring Set - Piston 0.030 in. oversize
103512	. Bearing - Needle (2)
64330	Bar Plate Set