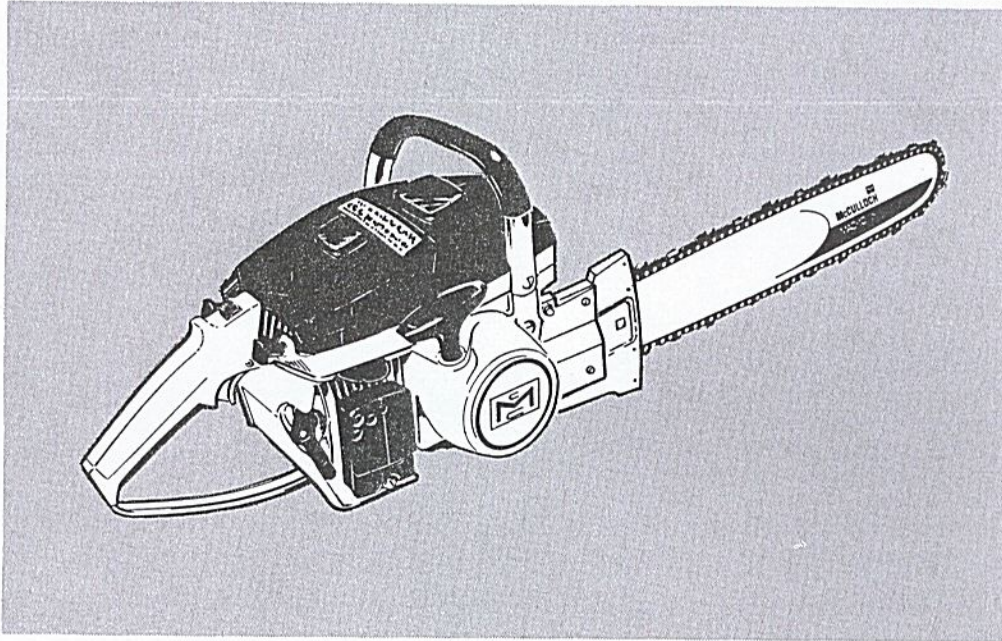


# LG-6 AUTOMATIC Chain Saw

Model Number 600411

Serial Numbers Prefixed 10-

## ILLUSTRATED PARTS LIST



September 1968

The policy of McCulloch Corporation is one of continual improvement in design, manufacturing and engineering advancement wherever possible to assure still finer two-cycle power tools. Hence, specifications, equipment, colors, design and manufacturer's suggested list prices are subject to change without notice and McCulloch Corporation reserves the right to make such changes without prior notification or obligation to backfit or supply backfit components for units previously shipped from the factory.

	Page
Figure 1. Engine Exploded View - General	2
Figure 2. Clutch & Starter Assembly	4
Figure 3. Fuel Tank Assembly	4
Figure 4. Carburetor Assembly	6
Figure 5. Transmission Assembly	8
Figure 6. Powerhead Assembly	10



# McCULLOCH

# LG-6 AUTOMATIC

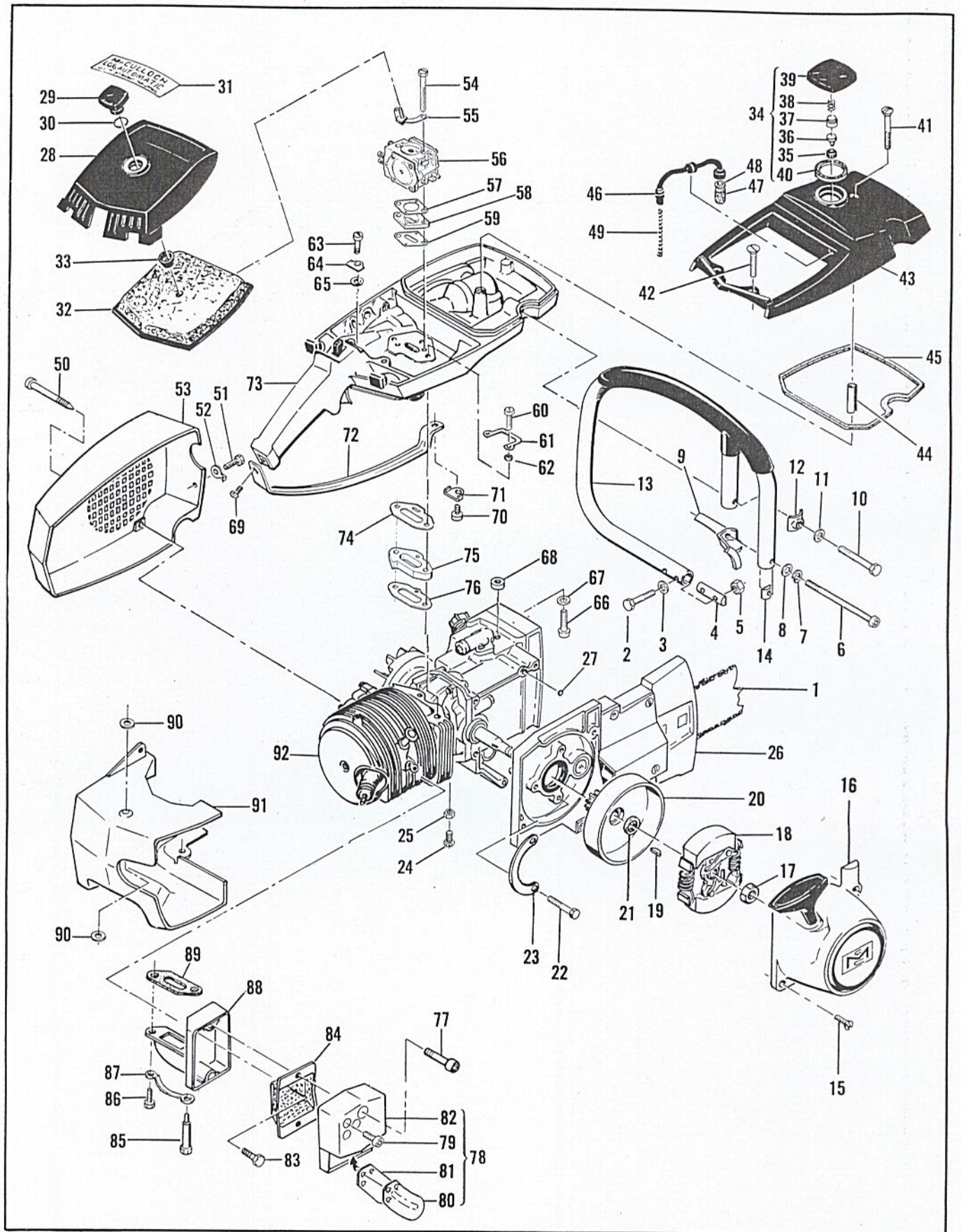


Figure 1. Engine Exploded View-General

FIGURE 1. ENGINE EXLODED VIEW — GENERAL

Item No.	Part Number	Description	Units Per Assy
1		Bar & Chain Assy (See Figure 5)	1
2	102761	Screw - Hex hd 10-24 x 7/8	2
3	100352	Washer - #10	2
4	61678	Plug - Nut retainer	1
5	101326	Nut - Hex 10-24	2
6	110448	Screw - Skt hd 10-24 x 3-1/4	1
7	103174	Lockwasher - #10	1
8	100003	Washer - #10	1
9	68503	Bracket - Frame	1
10	102130	Screw - Hex hd 1/4-20 x 1-1/2	1
11	100153	Lockwasher - 1/4	1
12	63484	Clamp - Frame	1
13	68458	Frame & Grip Assy	1
14	62271	. Plug - Frame	1
15	101386	Screw - Oval hd 10-24 x 5/8	1
16		Starter Assy (See Figure 2)	1
17	103746	Nut - 3/8-24	1
18		Clutch Assy (See Figure 2)	1
19	103879	Key - Woodruff	1
20	63493	Drum, Gear & Seal Assy	1
21	63476	. Seal	1
22	104243	Screw - Hex hd 1/4-20 x 1-3/4	2
23	68509	Lockplate	1
24	103469	Screw - Hex hd 10-24 x 3/8	1
25	105367	Nut - Hex 10-24	1
26		Transmission Assy (See Figure 5)	1
27	106104	"O" Ring	1
28	68530	Cover Assy - Air cleaner	1
29	68529	. Knob	1
30	110565	. Ring - Retaining	1
31	68540	Nameplate	1
32	68526	Filter Assy - Air	1
33	68528	. Grommet	1
34	68531	Fuel Cap Assy	1
35	68533	. Plug	1
36	63041	. Valve	1
37	62316	. Guide	1
38	63040	. Spring	1
39	68532	. Body	1
40	68653	. Gasket	1
41	110402	Screw - Oval hd 12-24 x 2-3/8	1
42	103579	Screw - Fl hd 10-24 x 1	2
43	68537	Cover - Fuel tank	1
44	- 69686	Spacer - Cover	1
45	- 69345	Gasket - Fuel tank	1

Item No.	Part Number	Description	Units Per Assy
46	64848	Hose Assy - Fuel	1
47	63932	. Filter - Fuel	1
48	100440	. Washer	1
49	67944	Spring - Hose	1
50	62978	Screw - Special	3
51	102762	Screw - 10-24 x 1/2	1
52	28052	Lockplate	1
53	68544	Housing - Fan	1
54	110551	Screw - Hex hd 10-24 x 2-1/8	2
55	68534	Bracket Assy	1
56		Carburetor Assy (See Figure 4)	1
57	68132	Gasket - Carburetor	1
58	66678	Spacer - Carburetor	1
59	68131	Gasket - Spacer	1
60	110567	Screw - Hex hd 12-24 x 1-1/4	2
61	68582	Lockplate	1
62	102115	Washer - #12	2
63	110568	Screw - Hex hd 12-24 x 1-1/8	1
64	68523	Lockplate	1
65	64856	Washer - Special	1
66	102660	Screw - Skt hd 10-24 x 7/8	1
67	100003	Washer - #10	1
68	68219	Spacer - Fuel tank	1
69	110353	Screw - Oval hd 10-24 x 3/8	1
70	110566	Screw - Hex hd 12-24 x 5/8	1
71	68508	Lockplate	1
72	68463	Brace - Handle	1
73		Fuel Tank Assy (See Figure 3)	1
74	68580	Gasket - Fuel tank	1
75	68579	Insulator - Fuel tank	1
76	68594	Gasket - Insulator	1
77	110473	Screw - Skt hd 10-24 x 1-5/8	2
78	65532	Cover and Valve Assy	1
79	110472	. Screw - Skt hd 8-32 x 5/16	3
80	- 69077	. Stop - Reed valve	1
81	64785	. Valve - Reed	1
82	65419	. Cover Assy - Spark arrester	1
83	110341	Screw - Hex hd 10-24 x 1/2	1
84	62379B	Baffle	1
85	68187	Screw - Hex hd 10-24 x 1-3/8	1
86	110529	Screw - Hex hd 10-24 x 1/2	1
87	67922	Lockplate	1
88	68186	Body and Duct Assy	1
89	68149	Gasket - Spark arrester	1
90	68581	Insulator	2
91	67378	Shroud	1
92		Powerhead Assy (See Figure 6)	1

Part numbers which have changed since the previous printing of the illustrated parts list covering these saws, are indicated by a dash (-) preceding the new part number.

# LG-6 AUTOMATIC

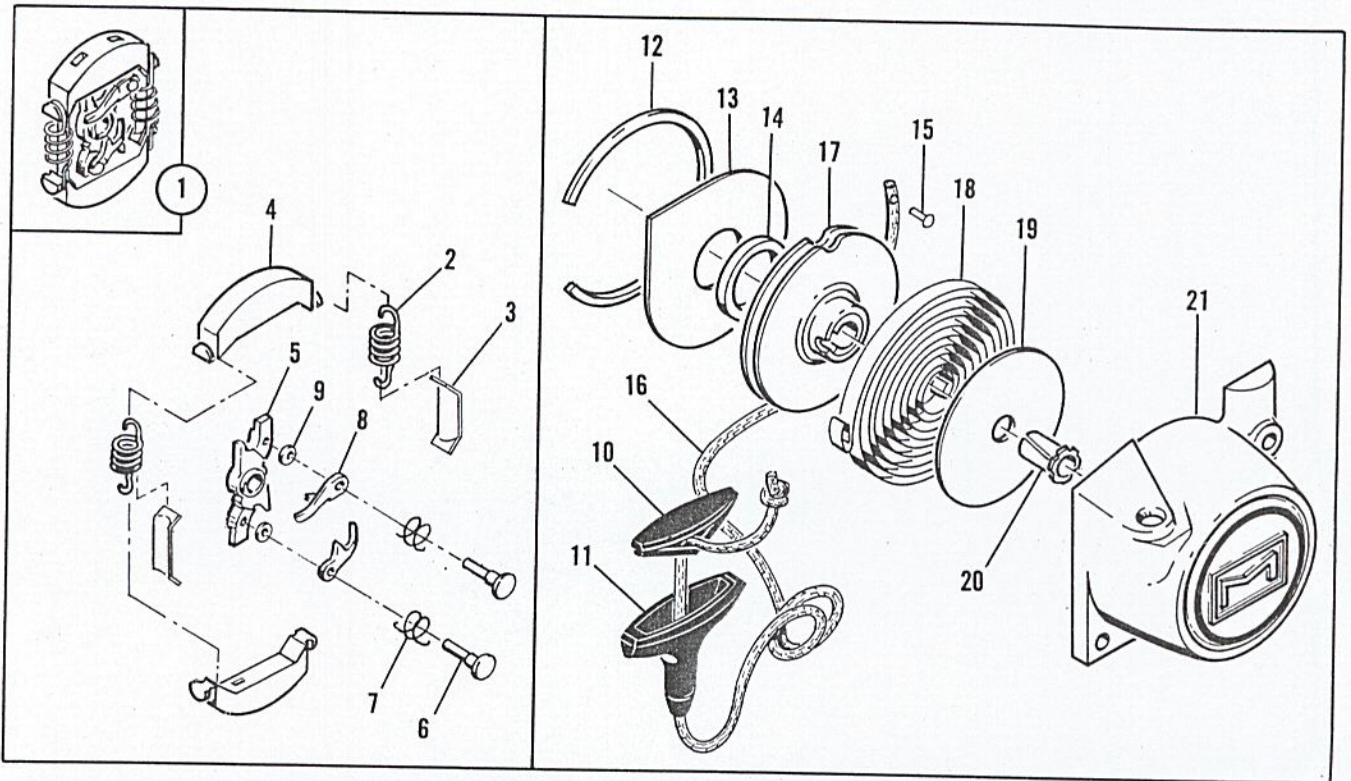


Figure 2. Clutch and Starter Assembly

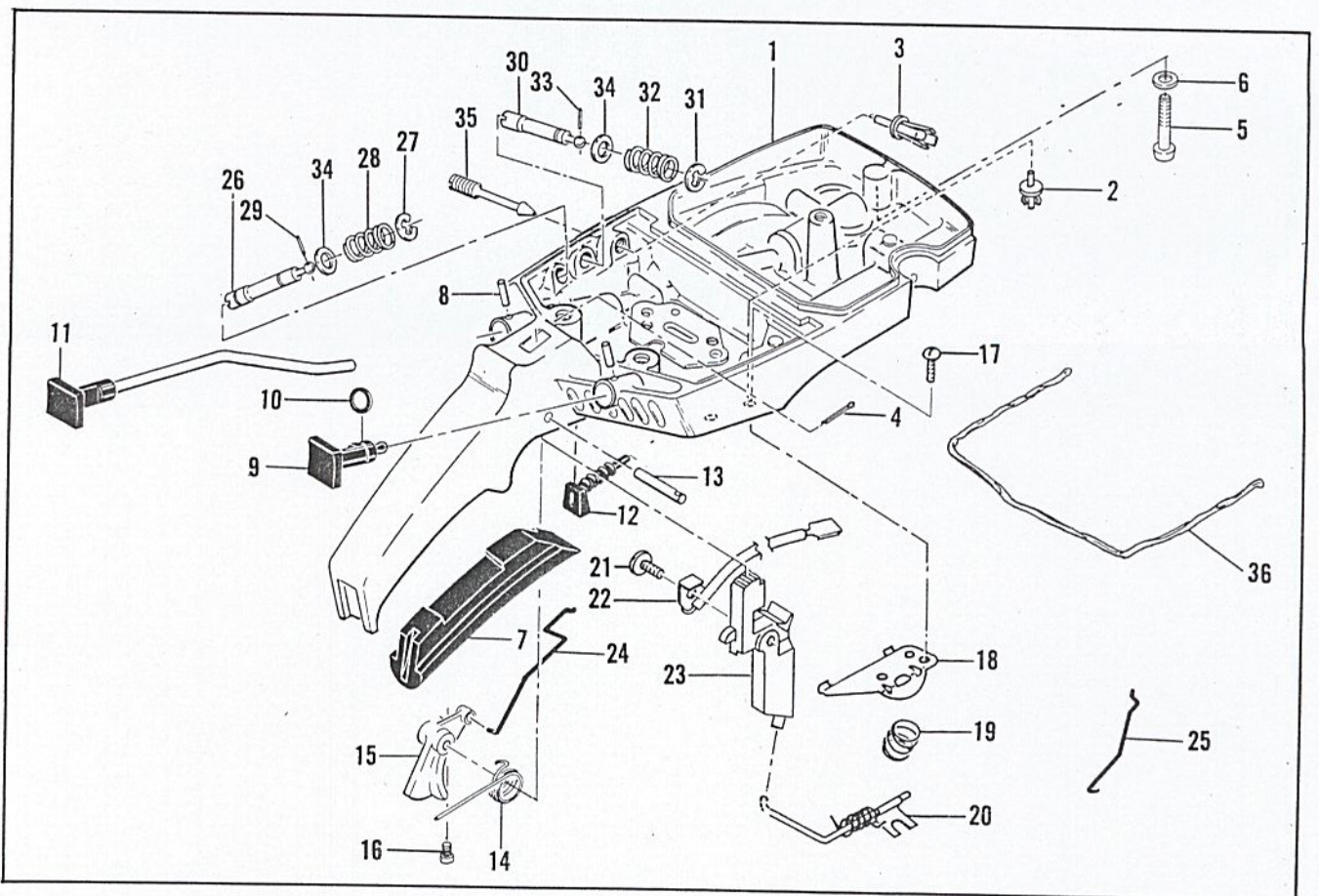


Figure 3. Fuel Tank Assembly

FIGURE 2. CLUTCH AND STARTER ASSEMBLY

Item No.	Part Number	Description	Units Per Assy
1	68835	Clutch Assy	1
2	66384	. Spring - Clutch	2
3	64583	. Retainer - Spring	2
4	67233	. Shoe - Clutch	2
5	68842	. Rotor Assy	1
6	67112	. . Rivet	2
7	68837	. . Spring	2
8	68836	. . Pawl	2
9	65473	. . Washer	2
	67058	Starter Assy	1
10	62191A	. Insert	1

Item No.	Part Number	Description	Units Per Assy
11	62190A	. Handle	1
12	67205	. Retainer - Shield	1
13	63985	. Shield - Dust	1
14	63986	. Washer - Thrust	1
15	110470	. Rivet - Rope	1
16	67125	. Rope - Starter	1
17	68695	. Drum - Starter	1
18	68626	. Spring - Rewind	1
19	63987	. Shield - Spring	1
20	61635A	. Bushing - Nyliner	1
21	67059	. Housing - Starter	1

FIGURE 3. FUEL TANK ASSEMBLY

Item No.	Part Number	Description	Units Per Assy
1	68683	Fuel Tank Assy	1
2	105788	. Rivet	2
3	110531	. Rivet	3
4	100010	. Pin - Cotter	1
5	102660	. Screw - Skt hd 10-24 x 7/8	1
6	100003	. Washer - #10	1
7	64872	Grip - Handle	1
8	105673	Pin - Roll 3/32 x 9/16	2
9	68517	Button - Choke	1
10	101056	"O" Ring	1
11	64871	Button & Rod Assy	1
12	68522	Seal - Throttle rod	1
13	110378	Pin - Roll 3/16 x 15/16	1
14	65734	Spring - Throttle return	1
15	67224	Trigger	1
16	110537	Screw - Trigger adjustment	1
17	105249	Screw - Rd hd 8-32 x 3/8	2
18	64721	Bracket - Lever Assy	1
19	69687	Spring - Valve	1

Item No.	Part Number	Description	Units Per Assy
20	67220	Lever Assy - Compression release	1
21	110385	Screw - Pan hd 8-32 x 13/8	1
22	65873	Wire Assy - Stop switch	1
23	67209	Button - Control	1
24	68170	Rod - Throttle	1
25	67355	Rod - Choke	1
26	68102	Extension Assy - High speed	1
27	110512	. Ring - Retaining	1
28	67363	. Spring	1
29	110509	. Pin - Groove	1
30	68101	Extension Assy - Idle	1
31	110512	. Ring - Retaining	1
32	67363	. Spring	1
33	110509	. Pin - Groove	1
34	67292	Washer	2
35	67271	Screw - Idle adjustment	1
36	*69564	Seal - Airbox	AR

\* One strip of seal 12-1/2 inches long, containing nine beads, enough for nine replacements.



FIGURE 4. CARBURETOR ASSEMBLY

Item No.	Part Number	Description	Units Per Assy
	67379	Carburetor Assy	1
1	67501	. Screw - Pump cover	4
2	67484	. Cover - Pump	1
3 *	67495	. Gasket - Cover	1
4 *	67498	. Diaphragm - Check valve	1
5 *	67497	. Diaphragm - Fuel pump	1
6 *	47690	. Screw - Plate	3
7	67487	. Plate - Throttle	1
8	67489	. Clip - Shaft	1
9	67486	. Shaft Assy - Throttle	1
10	67490	. Plate - Choke	1
11	67488	. Shaft Assy - Choke	1
12 *	100302	. Ball - Choke friction	1
13 *	67504	. Spring - Choke	1
14 *	67506	. Needle - High speed	1
15 *	67505	. Needle - Idle	1
16 *	67502	. Spring - Needle	2

Item No.	Part Number	Description	Units Per Assy
17	70798	. Screw - Diaphragm cover	4
18	67485	. Cover - Diaphragm	1
19 *	67499	. Diaphragm - Metering	1
20 *	67496	. Gasket - Diaphragm	1
21 *	67500	. Screw - Lever pin	1
22 *	67508	. Pin - Lever	1
23 *	67509	. Lever - Metering	1
24 *	67503	. Spring - Lever	1
25 *	67491	. Valve - Needle	1
26	67483	. Body Assy - Carburetor	1
27 *	67492	. . Plug - 3/8	1
28 *	67493	. . Plug - 5/16	1
29 *	67507	. . Screen - Fuel	1
	* 67482	Gasket Set	
	67481	Repair Kit	

\*Indicates parts included in Repair Kit, P/N 67481

# LG-6 AUTOMATIC

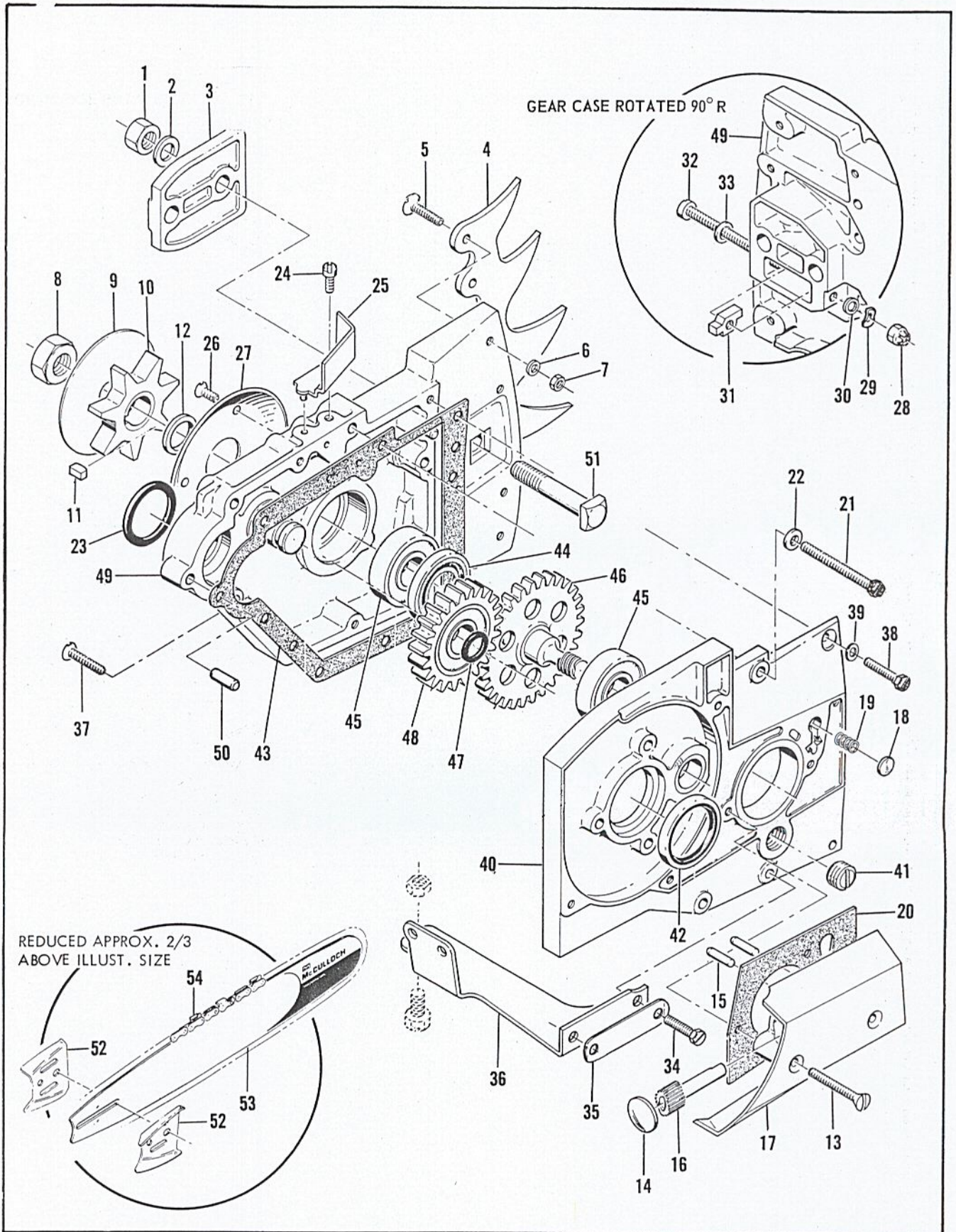


Figure 5. Transmission Assembly



FIGURE 5. TRANSMISSION ASSEMBLY

Item No.	Part Number	Description	Units Per Assy
1	103729	Nut - Hex 3/8-24	2
2	100006	Washer - 3/8	2
3	63417	Plate - Bar clamp	1
4	63994	Kit - Spike	1
5	110245	. Screw - Fl hd 10-24 x 3/4	4
6	101174	. Washer - #10	4
7	101191	. Nut - Hex 10-24	4
8	60972	Nut - Hex 7/16-20	1
9	63997A	Plate - Sprocket	1
10	36644A	Sprocket	1
11	63808	Key - Sprocket	1
12	64754	Spacer - Sprocket	1
13	110406	Screw - Oval hd 8-32 x 1-1/4	2
	65882	Pump Assy - Oil	1
14	105559	. Plug - Welch	1
15	110392	. Pin - Plunger	2
16	63428	. Plunger - Pump	1
17	65881	. Body - Pump	1
18	62909	Valve - Oiler	1
19	63692	Spring - Valve	1
20	63474	Gasket - Pump	1
21	102765	Screw - Hex hd 10-24 x 1-3/4	2
22	100003	Washer - #10	2
	- 68585	Transmission Assy	1
23	104360	. "O" Ring	1
24	110055	. Screw - Fil hd 8-32 x 3/8	1
25	63491	. Filler	1
26	110417	. Screw - Fl hd 6-32 x 3/8	3

Item No.	Part Number	Description	Units Per Assy
27	63416	. Plate - Sprocket	1
28	102067	. Nut - Hex #10	1
29	110387	. Washer - Wave	1
30	100003	. Washer - #10	1
31	63824A	. Nut - Bar adjustment	1
32	110548	. Screw - Bar adjustment	1
33	101174	. Washer - #10	1
34	102290	. Screw - Hex hd 10-24 x 1-1/8	1
35	68205	. Lockplate	1
36	67066	. Brace - Gearcase	1
37	110405	. Screw - Oval hd 8-32 x 7/8	3
38	102760	. Screw - Hex hd 10-24 x 1	2
39	100003	. Washer - #10	2
40	- 68590	. Cover Assy - Gearcase	1
41	100432	. . Plug - Filler	1
42	63477	. . Seal - Pinion gear	1
43	68576	. Gasket - Cover	1
44	63478	. Seal - Gearcase	1
45	110348	. Bearing - Sprocket shaft	2
46	- 67899	. Gear - Sprocket	1
47	110452	. "O" Ring	1
48	- 67896	. Gear Assy - Idler	1
49	- 68587	. Gearcase	1
50	101770	. . Pin - Dowel	2
51	64584	. . Bolt - Bar	2
52	64935	Plate - Bar protector	2
53		Bar	1
54		Chain Assy	1

ACCESSORIES

Part Number	Description
68546	Manual - Owner's
61040	Wrench - Screwdriver
65712	Guide - Timing
67067	Kit - Gearcase Brace
67053	Plate - Wear
65325	Baffle - Spark arrester
65778	Spark Plug - AC CS41T
69413	Piston Assy - 0.020 in. oversize

Part Number	Description
63291	. Ring Set - Piston 0.020 in. oversize
103085	. Bearing - Needle (2)
69414	Piston Assy - 0.030 in. oversize
63292	. Ring Set - Piston 0.030 in. oversize
103085	. Bearing - Needle (2)
- 68487	Transmission 3:1

# LG-6 AUTOMATIC

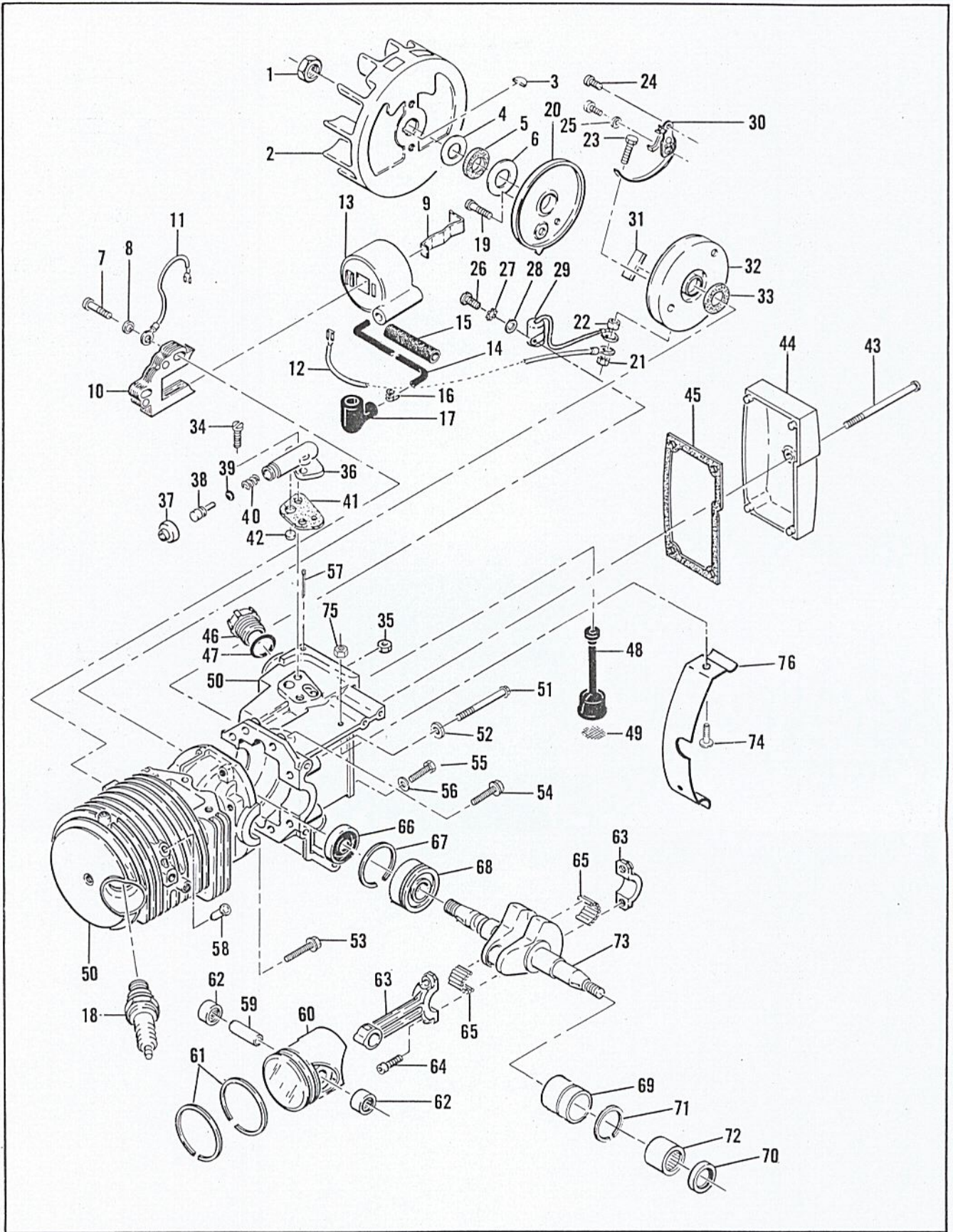


Figure 6. Powerhead Assembly

FIGURE 6. POWERHEAD ASSEMBLY

Item No.	Part Number	Description	Units Per Assy
1	101391	Nut - Hex 3/8-24	1
2	61737A	Flywheel Assy	1
3	103879	Key - Woodruff	1
4	67057	Washer - Thrust	1
5	67056	Seal	1
6	67054	Washer - Thrust	1
7	110127	Screw - Fil hd 10-24 x 7/8	2
8	100003	Washer - #10	2
9	51253	Retainer - Coil	1
10	68164	Lamination Assy	1
11	62819	Wire Assy - Ground	1
12	62818A	Wire Assy - Primary	1
13	63888	Coil & Terminal Assy	1
14	67450	. Wire & Sleeve Assy-Sp. Plug	1
15	67127	. . Sleeve	1
16	62932	. . Connector	1
17	62926	. . Boot	1
18	63432	Spark Plug	1
19	110349	Screw - Rd hd 8-32 x 3/4	1
20	62362	Cover - Breaker box	1
21	100298	Nut - Hex 6-32	1
22	62365	Spacer - Breaker screw	1
23	110346	Screw - Hex hd 6-32 x 3/4	1
24	100934	Screw - Rd hd 8-32 x 3/8	2
25	105976	Washer - #8	1
26	100414	Screw - Fil hd 8-32 x 1/2	1
27	100252	Lockwasher - #8	1
28	100080	Washer - #8	1
29	61650	Condenser	1
30	62363	Breaker Assy	1
31	54184	Wiper - Cam	1
32	62361	Box - Breaker	1
33	67051	Seal - Box	1
34	100414	Screw - Fil hd 8-32 x 1/2	2
35	100955	Nut - Hex 8-32	1
36	62261A	Housing - Pump	1
37	62262	Cap - Housing	1
38	62266	Plunger - Pump	1

Item No.	Part Number	Description	Units Per Assy
39	101056	"O" Ring	1
40	66687	Spring - Plunger	1
41	62230	Gasket - Pump	1
42	62909	Valve - Pump	1
43	110407	Screw - Pan hd 10-24 x 3-1/2	1
44	63974	Cover - Oil tank	1
45	63442	Gasket - Cover	1
46	57129A	Cap	1
47	101148	"O" Ring	1
48	62123B	Hose Assy - Oil	1
49	51506	. Screen - Hose	1
50	68543	Crankcase Assy	1
51	62105	. Screw Assy - Sealing	4
52	62842	. . Washer - Sealing	4
53	110404	. Screw Assy - 8-32 x 7/8	1
54	110288	. Screw Assy - 8-32 x 3/4	2
55	63607	. Screw Assy - Sealing	1
56	63606	. . Washer - Sealing	1
57	100010	. Pin - Cotter	1
58	64714	. Valve - Compression release	1
59	65389	Pin - Piston	1
60	69412	Piston Assy	1
61	63290	. Ring Set - Piston	1
62	103085	. Bearing - Needle	2
63	65401	Connecting Rod Assy	1
64	61627A	. Screw - Skt hd 8-36 x 1/2	2
65	63225	. Roller - Needle (set of 20)	1
66	65746	Oil Seal	1
67	63464	Ring - Snap	1
68	63429B	Bearing - Ball	1
69	63492	Insert & Bearing Assy	1
70	65747	. Oil Seal	1
71	63699	. Ring - Insert	1
72	104357	. Bearing - Needle	1
73	68505	Crankshaft	1
74	105221	Screw - Rd hd 10-24 x 5/16	2
75	101191	Nut - Hex 10-24	2
76	65363	Guard - Crankcase	1