

ILLUSTRATED PARTS LIST

MODELS	SERIAL NUMBER PREFIX	MODELS	SERIAL NUMBER PREFIX
600118 B	11-		

McCulloch chain saws are identified by a model number (in this instance, 600118) followed by a suffix letter (A, B, C, etc.) stamped on the identification plate attached to the saw. Suffix letters denote variations in parts or assemblies in the manufacture of the saw.

Part numbers listed in this I.P.L. which have a suffix letter or letters following the description, indicate the part is used only on the model(s) identified by the letter or letters.

Part numbers and descriptions without suffix letter or letters apply to all versions of the chain saw model.

Part numbers which have one or more dots (.) preceding their descriptions may be ordered individually, but they are also included in the kit or assembly whose description begins directly above the dot(s).

Part numbers in this IPL which were not in the previous IPL covering these saws, are indicated by a dash (-) preceding the new part number.

The policy of McCulloch is one of continual improvement in design, manufacturing and engineering advancement wherever possible to assure still finer two-cycle power tools. Hence, specifications, equipment, colors, design and manufacturer's suggested list prices are subject to change without notice and McCulloch reserves the right to make such changes without prior notification or obligation to backfit or supply backfit components for units previously shipped from the factory.

**THE PROFESSIONAL
PRO MAC™ 655**

CHAIN SAW



October 1982

- CONTENTS -

	Page
Figure 1. General	2
Figure 2. Carburetor Assembly	4
Figure 3. CHAIN BRAKE Assembly.	5
Figure 4. Fan Housing & Fuel Tank Asys.	5
Figure 5. Powerhead & Oiler Assemblies.	6
Tools and Accessories.	8
Service Specifications	8



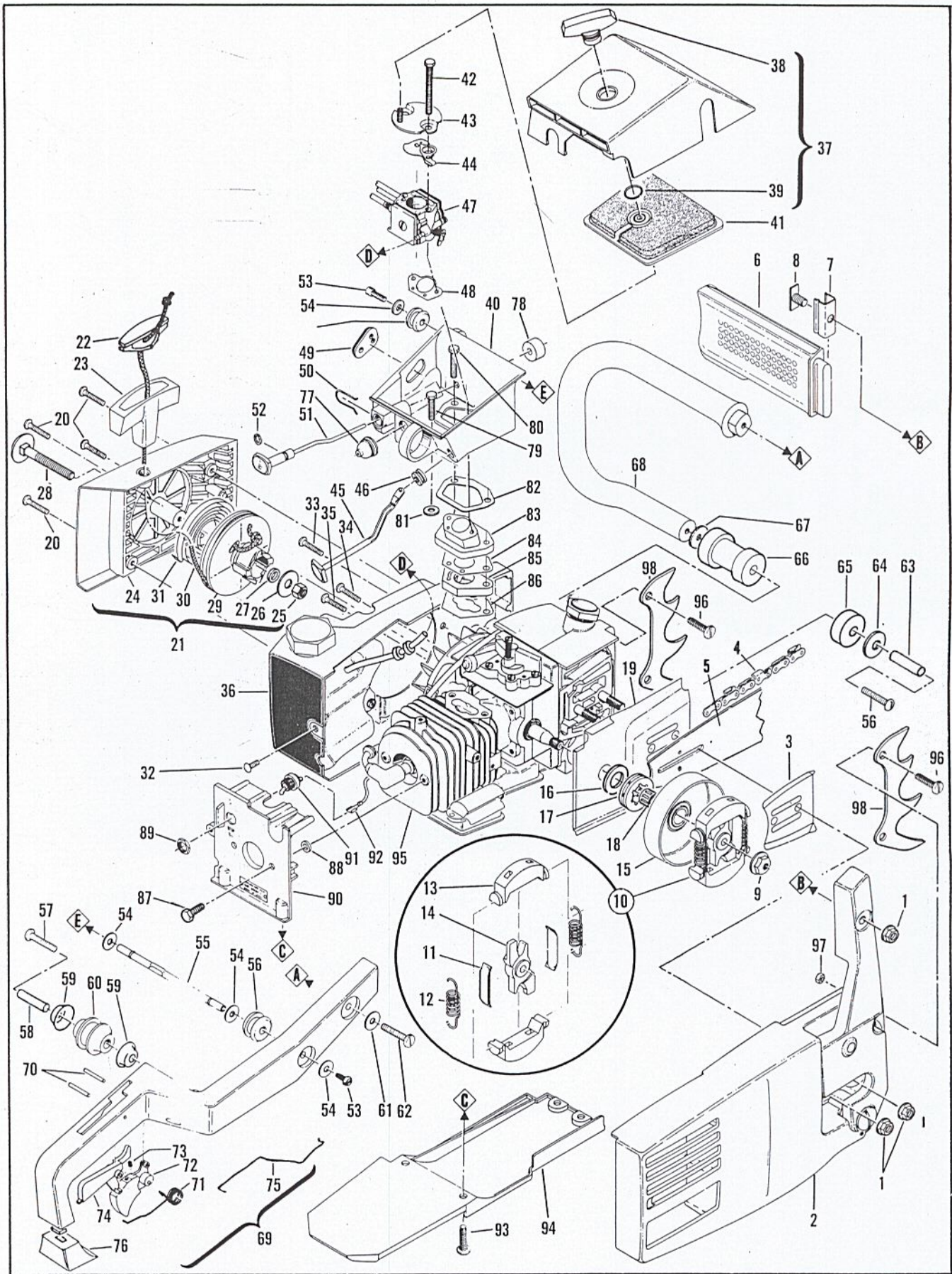


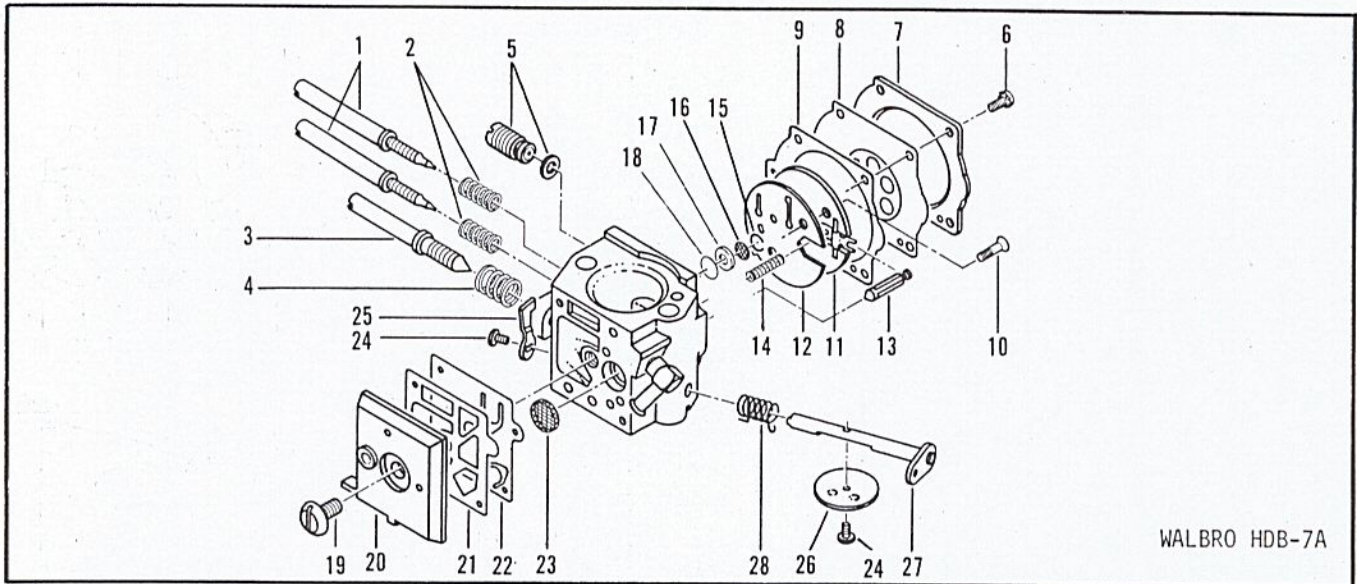
FIGURE 1. GENERAL

FIGURE 1. GENERAL

ITEM NO.	PART NUMBER	DESCRIPTION	UNITS PER ASY.
1	213169	Nut-Hx flange	3
2		CHAIN BRAKE Assembly (Figure 3)	
3	64325	Plate-Bar protector	1
4		Chain Assembly	
5		Bar Assembly	
6	216179	Flag Brake Lever	1
7	93721	Channel-Brake arm	1
8	93746	Stud-Brake	1
9	92457	Nut-Hx flange M10 x 1.25	1
10	214301	Clutch Assembly	1
11	64583	. Retainer-Clutch shoe	2
12	83223	. Spring-Clutch	2
13	67233	. Kit-Clutch shoe	1
14	214300	. Rotor-Clutch	1
15	95165	Drum/Sprocket Assembly-7T .375P	1
16	86958	. Washer-Shim	1
17	86951	. Sprocket-7T .375P	1
18	215270	Bearing-Needle	1
19	92354	Jacket-Cylinder	1
20	216210	Screw-Skt hd M4 x 16 (SEMS)	4
21	95358	Starter Assembly	1
22	214699	. Insert-Starter	1
23	93137	. Handle-Starter	1
24	95353	. Kit-Starter housing	1
25	111038	. . Nut-1/4 - 20	1
26	95401	. . Washer-Starter	1
27	95402	. . Spacer-Starter	1
28	215848	. . Step Bolt-Starter	1
29	214293	. Drum Assembly-Starter	1
30	213236	. . Rope-Starter	1
31	87680	. Spring-Starter rewind	1
32	120002	Screw-Pan hd M5 x 14	1
33	93232	Screw-Fan housing (M5 x 40)	1
34	93233	Screw-Fan housing (M5 x 35)	1
35	216661	Screw-Fan housing (M5 x 20)	1
36		Fan Housing & Fuel Tank Asy. (Figure 4)	
37	216155	Cover Asy-Air cleaner	1
38	91991	. Knob-Air cleaner cover	1
39	110565	. Ring-Retaining	1
40	95215	Kit-Air box	1
41	95213	. Filter-Air	1
42	120004	Screw-Hx hd M5 x 56	2
43	91938	Bracket Assembly-Air cleaner	1
	94482	Choke & Rod Kit	1
44	94151	. Choke-Carburetor	1
45	94171	. Rod-Choke	1
46	93261	Grommet-Choke	1
47		Carburetor Asy . (Figure 2)	
48	91924	Gasket-Carburetor	1
49	91995A	Grommet-Carburetor needle	1

ITEM NO.	PART NUMBER	DESCRIPTION	UNITS PER ASY.
50	93458	Clip-Oiler button	1
51	92067A	Button/Rod Assembly-Oiler	1
52	105614	"O" Ring	1
53	216681	Screw-Skt hd M5 x 13	2
54	110990	Washer	4
55	93252A	Strut-Handle	1
56	93253	Grommet-Strut	2
57	111015	Screw-Pan hd 1/4-14 x 2.5	
58	92071	Spacer	1
59	92066	Cup-Isolator	2
60	92065	Isolator	1
61	102115	Washer-Plain	1
62	111014	Screw-Pan hd 1/4-14 x 1.75	
63	92071	Spacer	1
64	111027	Washer-Plain	1
65	93913	Isolator	1
66	94140	Isolator	1
67	111027	Washer-Plain	1
68	91951	Frame	1
69	94255	Handle/Boot Assembly	1
70	110994	. Pin-Roll	2
71	93771	. Spring-Trigger	1
72	91953A	. Trigger	1
73	111013	. Screw-Set	1
74	91955	. Release-Trigger	1
75	214504	. Rod-Throttle	1
76	93459	. Boot-Handle	1
77	69597	Boot-Control rod	1
78	92161	Seal-Air box	1
79	120037	Screw-Hx hd M5 x 25 (SEMS)	1
80	120039	Screw-Hx hd M5 x 30 (SEMS)	2
81	93460	Washer-Insulator	1
82	94018	Gasket-Air box	1
83	94017A	Insulator-Carburetor	1
84	91933	Gasket-Air box	1
85	91934	Insulator-Air box	1
86	92038	Gasket-Insulator	1
87	120037	Screw-Hx hd M5 x 25 (SEMS)	
88	93460	Washer-Insulator	2
89	104810	Nut-Hx 15/32-32	1
90	92004	Shroud-Cylinder	1
91	93890	Switch-Ignition	1
92	92466	Wire Assembly-Switch	1
93	120002	Screw-Pan hd M5 x 14	
94	214670	Shroud-Bottom	1
95		Powerhead & oiler Asys. (Fig.5)	
96	120002	Screw-Pan hd M5 x 14	
97	120044	Nut-Hx M5 Lock	2
98	93668	Spike	2

FIGURE 2. CARBURETOR ASSEMBLY.



ITEM NO.	PART NUMBER	DESCRIPTION	UNITS PER ASY.
	95631	Carburetor - Walbro HDB-7A	
1	③	. Needle - Hi speed & idle	2
2	③	. Spring - Needle adjust	2
3	③	. Screw - Idle	1
4	③	. Spring - Idle adjust	1
5		. Governor Asy (HDB-7A only)	1
6		. Screw - Metering cover	4
7		. Cover - Metering diaphragm	1
8	94286②①	. Diaphragm Asy - Metering	1
9	②①	. Gasket - Metering diaphragm	1
10		. Screw - Circuit plate	2
11		. Plate Assembly - Circuit	1
12	①②	. Gasket - Circuit plate	1
13	94282 ①	. Valve - Inlet needle	1
14	94293 ①	. Spring - Metering lever	1
15	①	. Ring - Screen retaining	1

ITEM NO.	PART NUMBER	DESCRIPTION	UNITS PER ASY.
16	①	. Screen - Check valve	1
17	①	. Retainer - Check valve	1
18	①	. Valve - Check	1
19		. Screw - Fuel pump cover	1
20		. Cover - Fuel pump	1
21	②①	. Gasket - Fuel pump	1
22	94285②①	. Diaphragm - Fuel pump	1
23	94297 ①	. Screen - Inlet	1
24		. Screw - Valve	2
25		. Stop - Throttle	1
26		. Valve - Throttle	1
27		. Shaft Asy - Throttle	1
28		. Spring - Throttle return	1

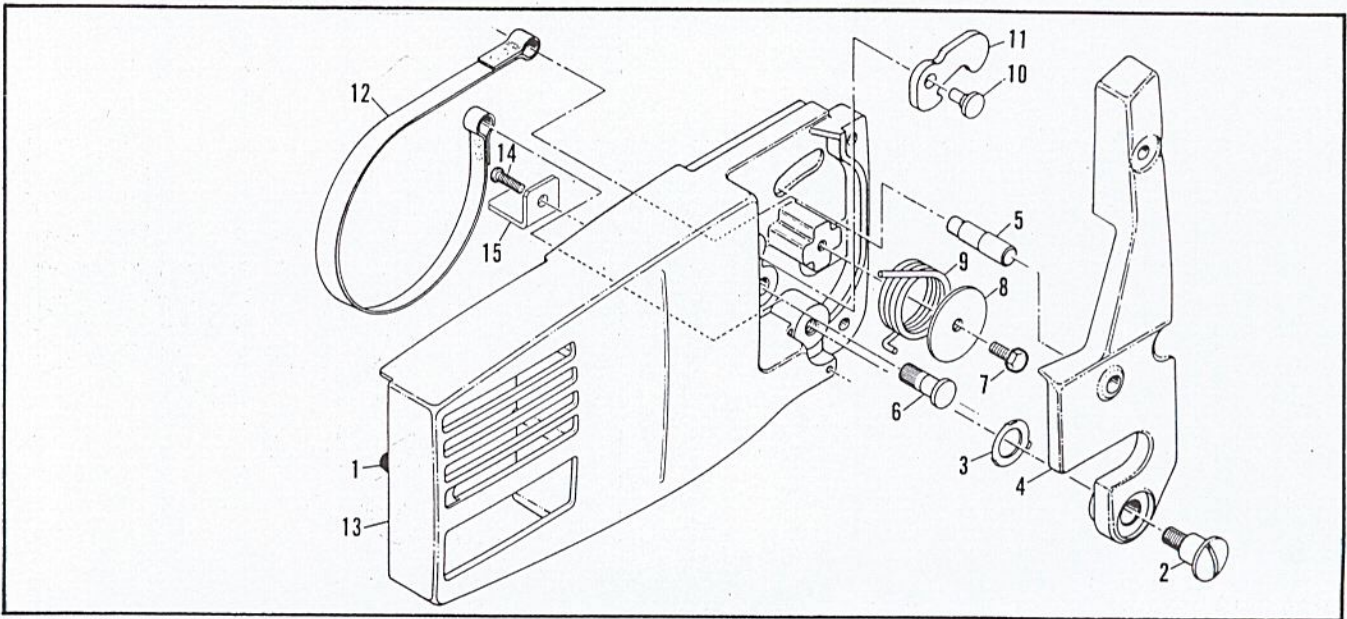
① Contained in Repair Kit, P/N 216719

② Contained in Gasket Kit, P/N 216736

③ Contained in Needle Kit, P/N 216720

NOTE: Items not listed with part numbers are shown for identification and disassembly sequence purposes only. They are NOT available as service parts.

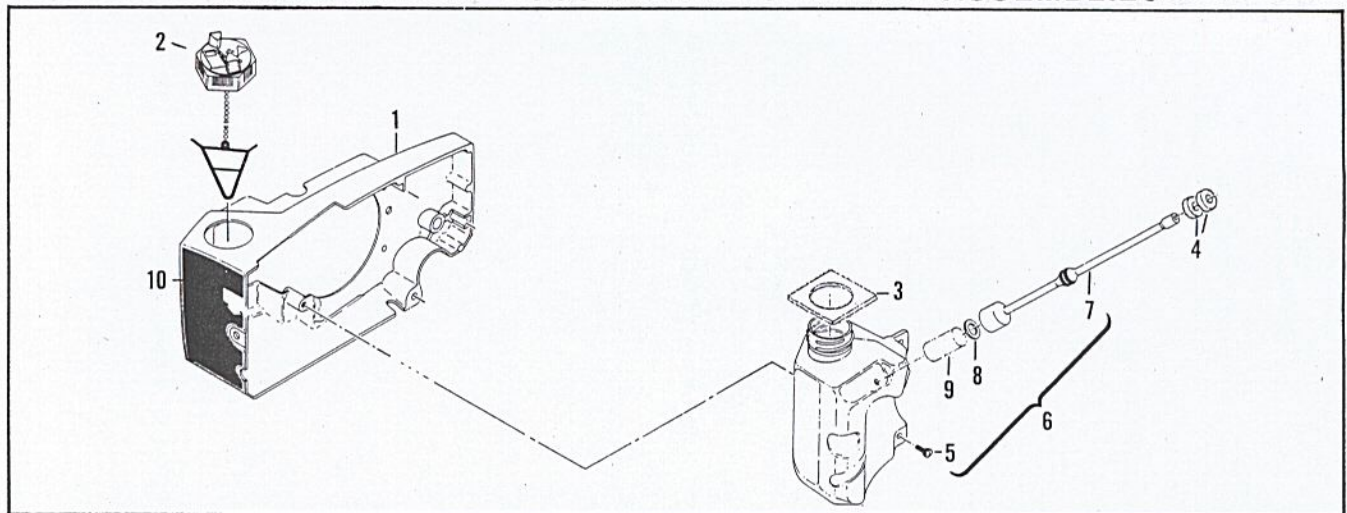
FIGURE 3. CHAIN BRAKE ASSEMBLY



ITEM NO.	PART NUMBER	DESCRIPTION	UNITS PER ASY.
	214364	CHAIN BRAKE ASY. (PM 655)	1
1	92086	. Snubber-Brake Housing	1
2	92217	. Screw-Pivot	1
3	- -	. Washer-Special	1
4	216702	. Lever Assembly-Brake actuator	1
5	214367	. . Pin Assembly-Roller	1
6	93082	. Pin-Band anchor	1
7	120019	. Screw-Hx hd M5 x 13	1

ITEM NO.	PART NUMBER	DESCRIPTION	UNITS PER ASY.
8	92134	. Retainer-Spring	1
9	92135	. Spring-Actuating	1
10	94144	. Pivot-Latch	1
11	94150	. Latch-Brake	1
12	93081	. Band-Brake	1
13	92084	. Housing-Brake	1
14	120002	Screw-Pan hd M5 x 14	1
15	92178	Stop-Chain	1

FIGURE 4. FAN HOUSING and FUEL TANK ASSEMBLIES



ITEM NO.	PART NUMBER	DESCRIPTION	UNITS PER ASY.
1	216154	Housing-Fan	1
2	216157	Cap-Fuel (vented)	1
3	93251	Seal-Fuel vent	1
4	92161	Seal-Air box	2
5	120068	Screw-Pan hd M4 x 12 (SEMS)	2

ITEM NO.	PART NUMBER	DESCRIPTION	UNITS PER ASY.
6	94901	Fuel Tank Assembly	1
7	94899	. Hose Assembly-Fuel	1
8	100440	. . Washer-5/16	1
9	63932	. . Filter-Fuel	1
10	216168	Plate-Name (PM 655)	1

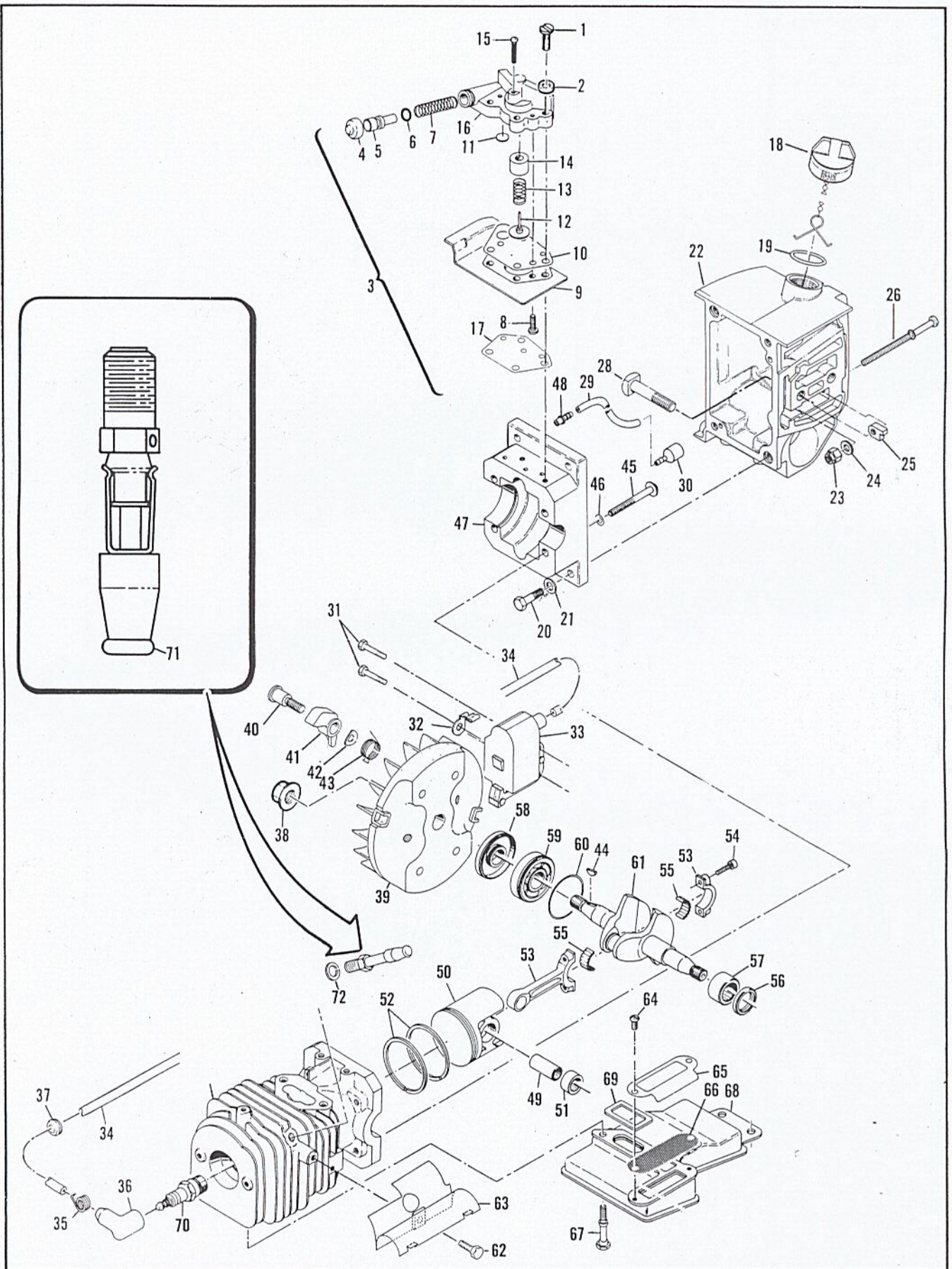


Figure 5. Powerhead and Oiler Assemblies

FIGURE 5. POWERHEAD and OILER ASSEMBLIES.

ITEM NO.	PART NUMBER	DESCRIPTION	UNITS PER ASY.
1	120036	Screw-Pan hd M4 x 16 (SEMS)	4
2	67177	Washer-Insulating	4
3	216698	Pump Assembly-Pulse oiler	1
4	62262	. Cap-Oil pump	1
5	93933	. Plunger-Oil pump	1
6	105614	. "O" Ring	1
7	66687	. Spring-Plunger	1
8	110706	. Screw-Pan hd 8-18 x 1/2	3
9	94727	. Cover-Diaphragm	1
10	94726	. Diaphragm-Oiler	1
11	62909	. Valve-Oiler	1
12	91945	. Piston Asy-Pulse	1
13	94322	. Spring-Return	1
14	91944	. Sleeve-Oil pump	1
15	120092	. Screw-Pan hd M3.5 x 22	1
16	94728	. Body Asy-Oil pump	1
17	91950	Gasket-Oil pump	1
18	216156	Cap Assembly-Oil	1
19	101148	"O" Ring	1
20	120006	Screw-Hx hd M6.3 x 24	4
21	100004	Washer-Plain	4
22	92077	Tank Assembly-Oil	1
23	110950	. Nut-Lock	1
24	102115	. Washer-Plain	1
25	91982	. Nut-Bar adjustment	1
26	94362	. Screw-Bar adjustment	1
27	-	- Delete -	1
28	92459	. Bolt-Bar	2
29	92616	Hose-Oil pickup	1
30	92465	Pickup-Oil	1
31	120037	Screw-Hx M5 x 25 (SEMS)	2
32	84686A	Strap-Ground	1
33	95553	Ignition Asy-Electronic	1
34	95270	. Wire Assembly-Spark plug	1
35	102556	. . Connector-Spark plug	1
36	95266	. . Boot-Spark plug	1

ITEM NO.	PART NUMBER	DESCRIPTION	UNITS PER ASY.
37	110995	. Grommet-Spark plug wire	1
38	94500	Nut-Hx flange M10	1
39	95307	Flywheel/Pawl/Assembly	1
40	95362	. Screw-Starter Pawl	2
41	95361	. Pawl-Starter	2
42	213253	. Washer-Spring	2
43	93144	. Spring-Starter pawl	2
44	100106	Key-Woodruff	1
45	62106	Screw-Wsh hd 12-24 x 1-3/4	4
46	111025	Washer-Sealing	4
47	94536	Cyl/C'Case Asy	1
48	92096	. Nipple-Oil line	1
49	87710	Pin-Piston	1
50	94130	Piston Assembly	1
51	111021	. Bearing-Needle	2
52	94132	. Ring set-Piston	1
53	85352	Rod Asy-Connecting	1
54	61627A	. Screw-Connecting rod	2
55	63225	. Roller-Needle (set of 20)	1
56	110260	Seal-Oil	1
57	104357	Bearing-Needle	1
58	67906	Seal-Oil	1
59	67905	Bearing-Ball	1
60	63464	Ring-Snap	1
61	92027	Crankshaft	1
62	102762	Screw-Hx hd 10-24 x 1/2	1
63	95439	Deflector Asy-Exhaust	1
64	120038	Screw-Pan hd M4 x 8	2
65	93481	Plate-Deflector	1
66	214205	Screen-Muffler	1
67	92458	Screw-Muffler	2
68	93603	Body/Cover Asy-Muffler	1
69	84007	Gasket-Muffler	1
70	214223	Spark Plug-AC CS 45 T	1
71	214304	Valve-DSP	1
72	214765	Washer-Valve	1

Pro Mac 655

Tools & Accessories.

PART NUMBER	DESCRIPTION	PART NUMBER	DESCRIPTION	PART NUMBER	DESCRIPTION
215432	Pressure Test Tool	94962	Scrench	95159	Allen Wrench - 5mm
63137	Adaptor - Exhaust	214195	Gun - Lube (Disposable)	69794	Locquic
94415	Adaptor - Intake	214194	Gun - Lube (Deluxe)	110083	R.T.V. Sealant
110761	Plug - D.S.P.	85702	Lubricant - Custom, 6 oz. Can	94121	Kit - Carrying Case, 20"
501334	Ignition Tester	85703	Lubricant - Custom, 6 oz. Cans, 1 6-pak	214203	. Scabbard, 20"
84223	Kit - Piston Tools	216107	Key-Socket-4mm	94367	Kit - Carrying Case, 16"
501222	Piston Stop Tool			92896	. Scabbard, 16"
95218	Air Filter - Felt			214208	Kit - Spike

Service Specifications.

Spark Plug Gap	.025 inch (.63mm)
Lamination Gap	.011 to .015 inch (.28 to .38mm)
Timing	26° BTDC
Clutch Engagement Speed	2800 to 3000 rpm
Idle Speed	1800 to 2000 rpm
Torques:	
Connecting Rod Screws	65 to 70 pound x inches (7.3 to 7.9 N.m.)
Clutch Nut	160 to 170 pound x inches (18.1 to 19.2 N.m.)
Flywheel Nut	265 to 325 pound x inches (29.9 to 36.7 N.m.)

BAR and CHAIN COMBINATIONS.

PART NUMBER	DESCRIPTION
94074	Bar-16" Speed Mac
89502	Bar-16" Mac 10
88167N	Chain-16" PM 370 G
214231N	Chain-16" PGR 370 G
89974N	Chain-16" SPR 370 G
93778	Bar-20" Speed Mac
89503	Bar-20" Mac 10
88173N	Chain-20" PM 370 G
214232N	Chain-20" PGR 370 G
89979N	Chain-20" SPR 370 G

PART NUMBER	DESCRIPTION
86846	Bar-24" Speed Mac
89504	Bar-24" Mac 10
88175N	Chain-24" PM 370 G
94437N	Chain-24" PGR 370 G
89981N	Chain-24" SPR 370 G
86847	Bar-28" Speed Mac
89505	Bar-28" Mac 10
93552N	Chain-28" PM 370 G
89984N	Chain-28" SPR 370 G