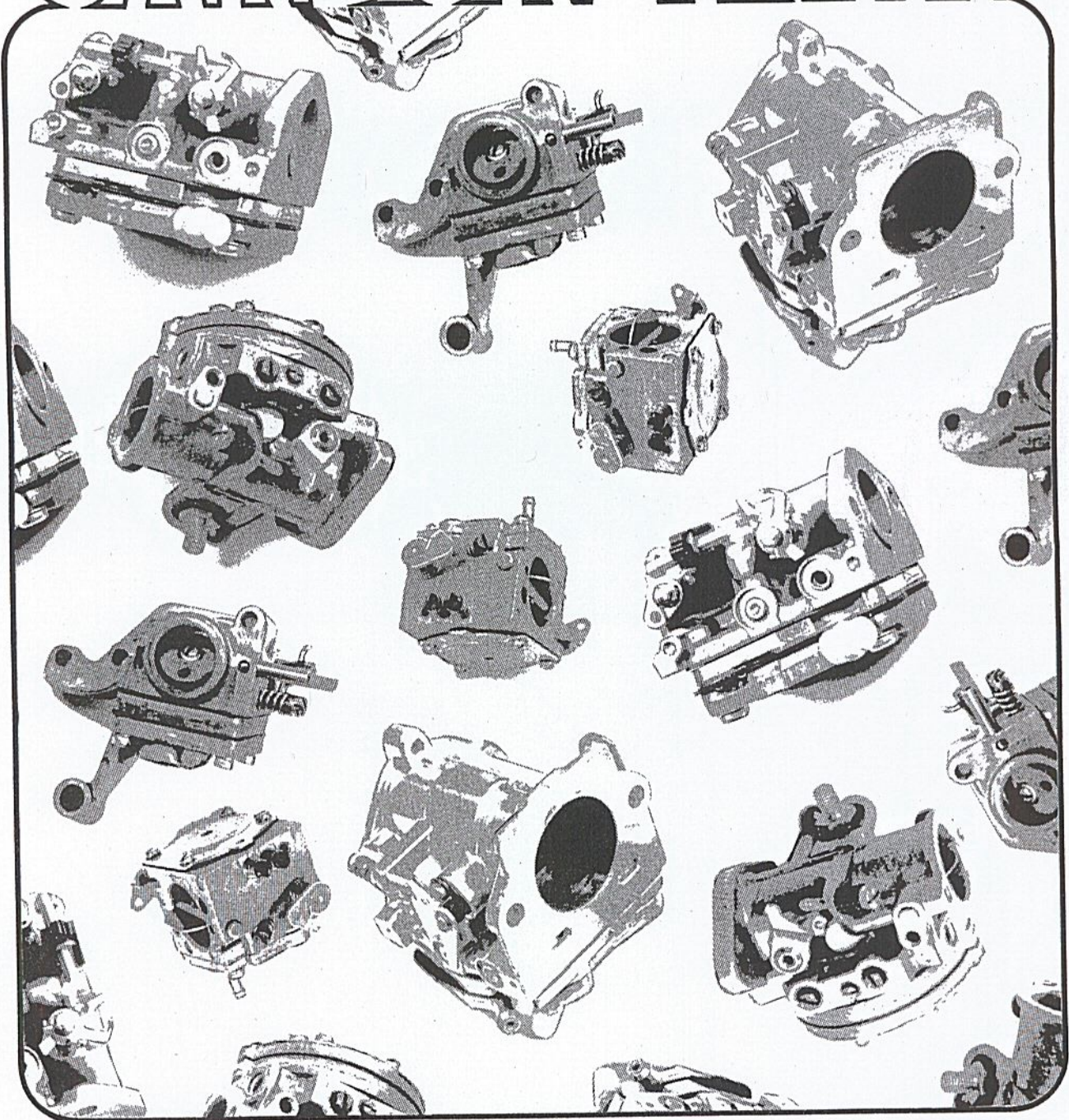


Usage Guide & Illustrated Parts List

MCCULLOCH ENGINE
CARBURETORS



The carburetors and carburetor kits listed on the following pages are those used on or are furnished for service replacement on current McCulloch engines. Usage on earlier models where applicable is also shown.

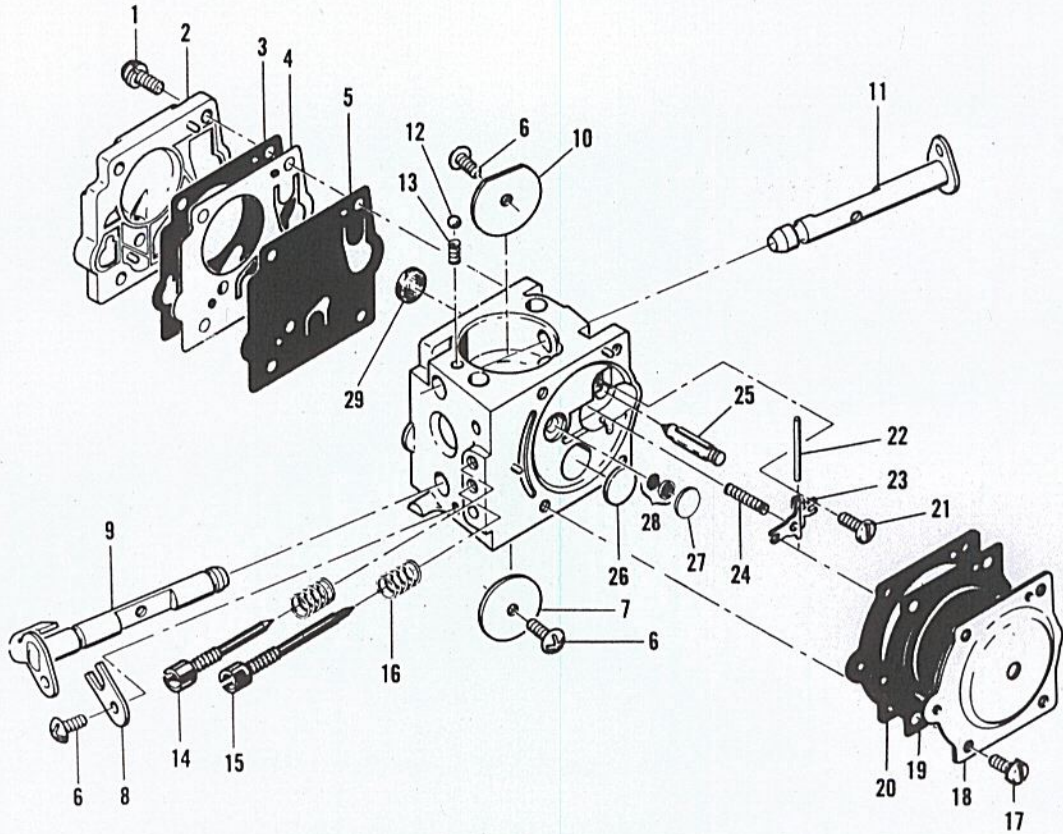
<u>Models</u>	<u>Pages</u>	<u>Type</u>	<u>Part No.</u>	<u>Page</u>
MAC 1-10 Series	1,25	McCulloch	SDC 2	67379 1
MAC 2-10 Series	1,6,9		SDC 3	67876 2
LG 2 Series	1,27		SDC 4	68255 3
LG 6 Series	1,27		SDC 7	68981 4
MAC 3-10 Series	1		SDC 16	83249 5
MAC 5-10 Series	1		SDC 18	69942 6
MAC 6-10 Series	1,27		SDC 19	83733 7
MAC 10-10 Series	1,2,3,5,6,10		SDC 20	83550 8
Super 10-10 Series	1,2,5,6,25		SDC 22	84015 9
7-10A	6,9,14		SDC 37	85720 10
G 70	27,30		SDC 38	85849 11
CP 55	6		SDC 38A	87821 12
CP 70	6		SDC 43	87742 13
CP 125	8,26		SDC 44	87666 14
SP 55	12		MDC 2	83148 15
SP 60	12,28		MDC 3	83869 16
SP 70	12,28		MDC 4	87238 17
SP 80	11,12,28		MDC 5	87239 18
SP 125	8,29	Tillotson	HL 19G	83400 19
Pro Mac 60	14		HL 63G	66346 20
Power Mac Series	15,17		HL 103E	83450 21
Mini-Mac Series	16,18		HL 272A	69856 22
MAC 15	4		HL 288A	85484 23
250 Series	20, 31, 34, 40		HL 291A	86285 24
550 Series	20, 31, 34, 40		HS 43	66697 25
660	20, 40, 41		HS 70A	69373 26
795 Series	7, 40, 41		HS 71A	69948 27
797 Series	7, 21, 40, 41		HS 111A	85916 28
895	19, 24, 33, 35, 40		HS 124A	87288 29
940	22, 23, 41		HS 127A	87809 30
Welder	22, 23, 42	McCulloch	MAC 1	84050 31
MC 49 Series	13,32		MAC 3	68795 32
MC 91 Series	36, 37, 38		MAC 6	84260 33
MC 101 Series	36, 37, 38, 39		MAC 9	87293 34
			MAC 10	87294 35
			BDC 2	68886 36
			BDC 4	82894 37
			BDC 14	84446 38
			BDC 16	85162 39
			Kit	84367 40
			Kit	84351 40
		Tillotson Kit		84479 41
		McCulloch Kit		68752 41
		Tillotson Kit		84667 42

McCulloch SDC 2 P/N 67379
(Replaced by P/N 84015)

Venturi Dia. 0.625 in.
 Throttle Bore Dia. 0.750 in.
 External adjustment using needle
 extension assemblies and deep
 slot adjustment needles.

USED ON

Model	S/N Prefix	S/N's	Model	S/N Prefix	S/N's
MAC 5-10E	10-		MAC 6-10	10-	
MAC 2-10A	10-, 12-		LG 6A	10-	
MAC 5-10G	10-		Super LG 2	11-	
MAC 2-10G	11-		Super LG 2	12-	10451 & Up
MAC 2-10PS	11-		Super 10-10A	12-	
MAC 3-10E	12-		Super 10-10A	13-	10001 to 14000
MAC 1-10	11-		Super 6-10A	14-, 15-	
Super 2-10A	14-, 13-		Super 10-10	15-	
MAC 6-10A	12-, 13-		Super 10-10A	14-	



Item No.	Part Number	Description	Units Per Assy
	67379	Carburetor Assy (McCulloch SDC 2)	1
1	67501	. Screw - Pump cover	4
2	83760	. Cover - Pump	1
3	*67495	. Gasket - Cover	1
4	*67498	. Diaphragm - Check valve	1
5	*83114	. Diaphragm - Fuel pump	1
6	47690	. Screw - Plate	3
7	67487	. Plate - Throttle	1
8	67489	. Clip - Shaft	1
9	67486	. Shaft Assy - Throttle	1
10	67490	. Plate - Choke	1
11	67488	. Shaft Assy - Choke	1
12	*100302	. Ball - Choke friction	1
13	*67504	. Spring - Choke friction	1
14	*67506	. Needle - High speed	1
15	*67505	. Needle - Idle	1
16	*67502	. Spring - Needle	2

Item No.	Part Number	Description	Units Per Assy
17	70798	. Screw - Diaphragm cover	4
18	83761	. Cover - Diaphragm	1
19	*67499	. Diaphragm - Metering	1
20	*67496	. Gasket - Diaphragm	1
21	*67500	. Screw - Lever pin	1
22	*67508	. Pin - Lever	1
23	*67509	. Lever - Inlet	1
24	*67503	. Spring - Lever	1
25	*67491	. Valve - Needle	1
26	*71690	. Plug - 3/8	1
27	*69506	. Plug - 5/16	1
28	83758	. Kit - Valve & Seat Assy	1
29	*67507	. Screen - Fuel	1
	*67482	Gasket Set	
	67481	Repair Kit	

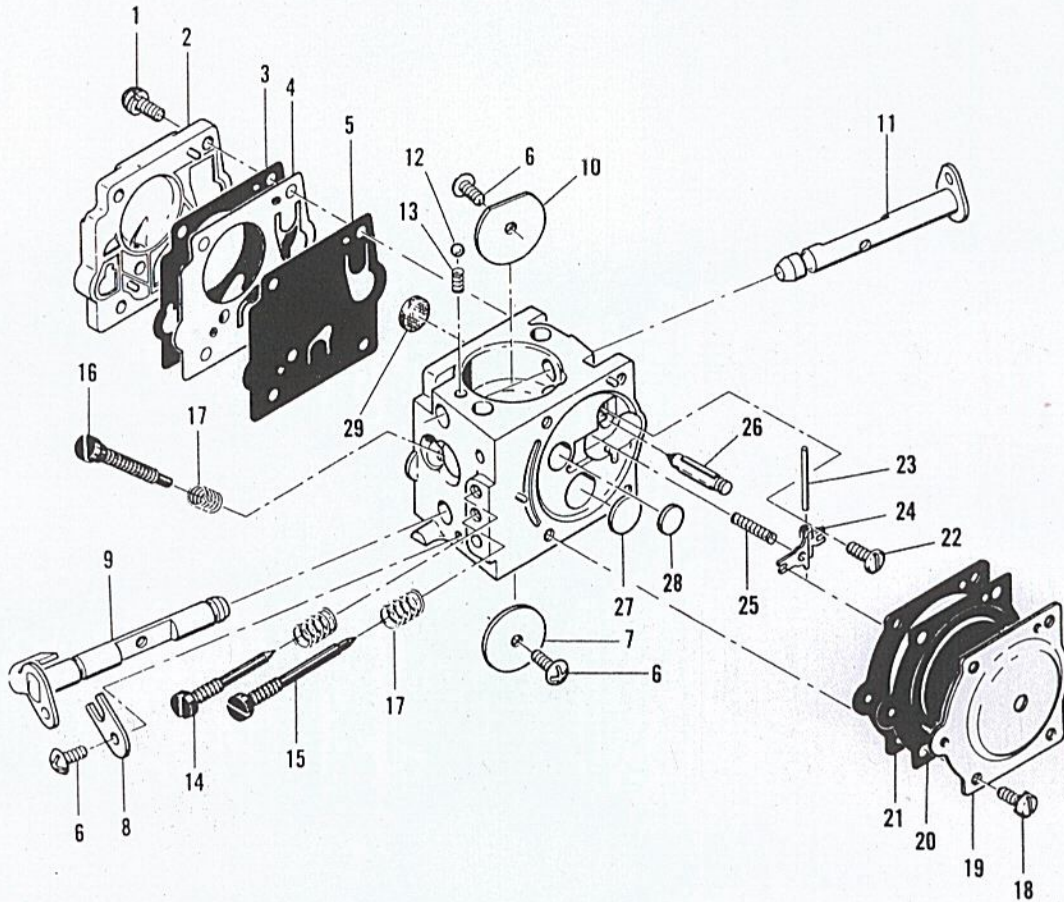
*Indicates parts included in Repair Kit, P/N 67481.

McCulloch SDC 3 P/N 67876

Venturi Dia. 0.625 in.
 Throttle Bore Dia. 0.750 in.
 All internal adjustments. Speed Screw
 angles down to the butterfly.

USED ON

Model	S/N Prefix	S/N's
MAC 10-10	10-, 12-, 16-	
MAC 10-10A	10-, 11-, 12-	
MAC 10-10E	10-	



Item No.	Part Number	Description	Units Per Assy
	67876	Carburetor Assy	1
1	67501	. Screw - Pump cover	4
2	67484	. Cover - Pump	1
3	*67495	. Gasket - Cover	1
4	*67498	. Diaphragm - Check valve	1
5	*83114	. Diaphragm - Fuel pump	1
6	*47690	. Screw - Plate	3
7	67487	. Plate - Throttle	1
8	67489	. Clip - Shaft	1
9	67486	. Shaft Assy - Throttle	1
10	67490	. Plate - Choke	1
11	67488	. Shaft Assy - Choke	1
12	*100302	. Ball - Choke friction	1
13	*67504	. Spring - Choke	1
14	*68104	. Needle - High speed	1
15	*68105	. Needle - Idle	1
16	*68106	. Screw - Idle adjustment	1

Item No.	Part Number	Description	Units Per Assy
17	*67502	. Spring - Needle	3
18	70798	. Screw - Diaphragm cover	4
19	67485	. Cover - Diaphragm	1
20	*67499	. Diaphragm - Metering	1
21	*67496	. Gasket - Diaphragm	1
22	*67500	. Screw - Lever pin	1
23	*67508	. Pin - Lever	1
24	*67509	. Lever - Metering	1
25	*67503	. Spring - Lever	1
26	*67491	. Valve - Needle	1
27	*67492	. Plug - 3/8	1
28	*69506	. Plug - 5/16	1
29	*67507	. Screen - Fuel	1
	*67482	Gasket Set	
	68107	Repair Kit	

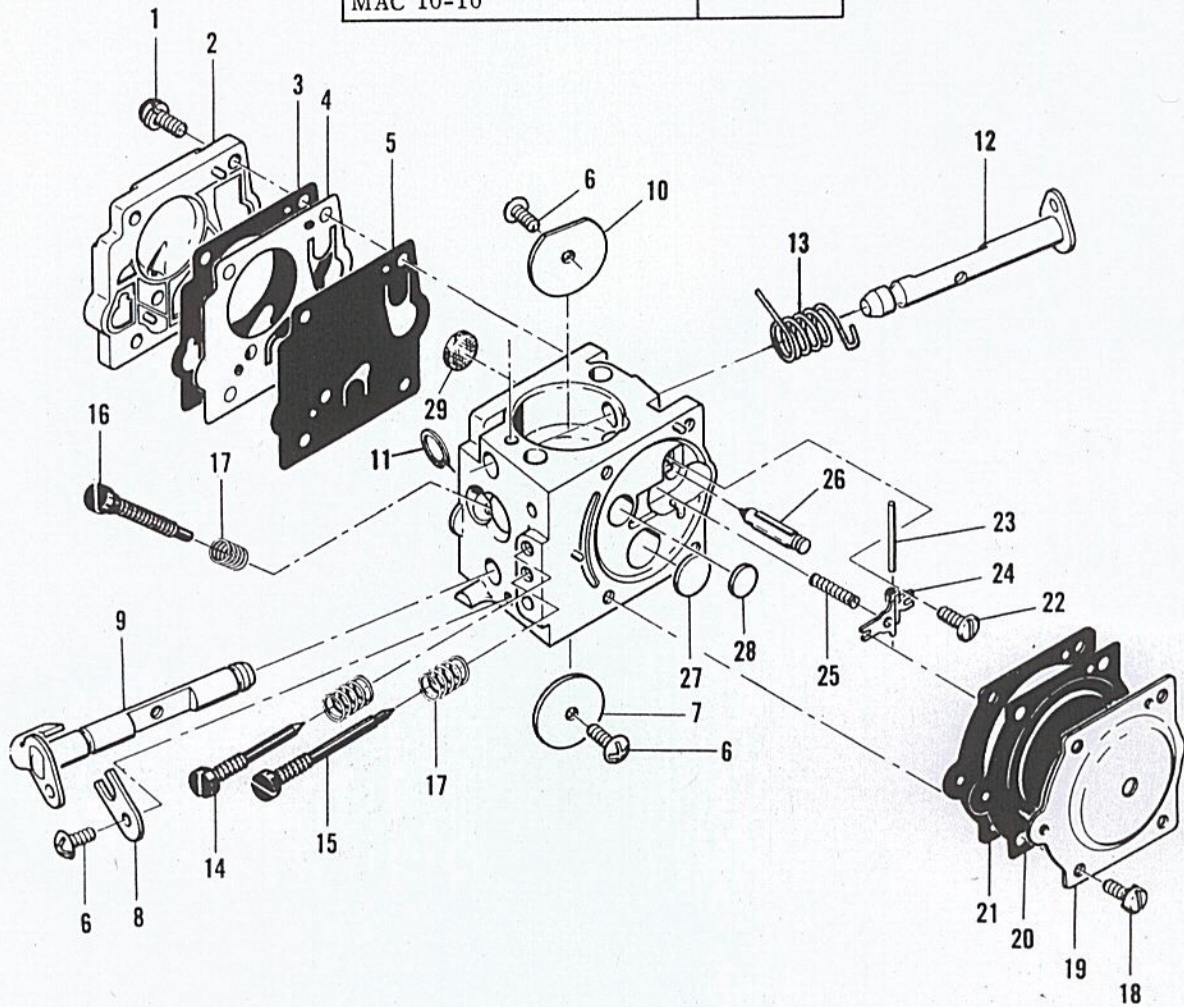
*Indicates parts included in Repair Kit, P/N 68107

McCulloch SDC 4 P/N 68255
 Replaced by P/N 85720

Venturi Dia. 0.625 in.
 Throttle Bore Dia. 0.750 in.
 Choke spring on choke shaft. Used on
 Canadian models only.

USED ON

Model	S/N Prefix	S/N's
MAC 10-10		



Item No.	Part Number	Description	Units Per Assy
	68255	Carburetor Assy	1
1	67501	. Screw - Pump cover	4
2	67484	. Cover - Pump	1
3	*67495	. Gasket - Cover	1
4	*67498	. Diaphragm - Check valve	1
5	*83114	. Diaphragm - Fuel pump	1
6	*47690	. Screw - Plate	3
7	67487	. Plate - Throttle	1
8	67489	. Clip - Shaft	1
9	67486	. Shaft Assy - Throttle	1
10	67490	. Plate - Choke	1
11	68211	. Ring - Retaining	1
12	68218	. Shaft Assy - Choke	1
13	68212	. Spring - Choke shaft	1
14	*68104	. Needle - High speed	1
15	*68105	. Needle - Idle	1
16	*68106	. Screw - Idle adjustment	1

Item No.	Part Number	Description	Units Per Assy
17	*67502	. Spring - Needle	3
18	70798	. Screw - Diaphragm cover	4
19	67485	. Cover - Diaphragm	1
20	*67499	. Diaphragm - Metering	1
21	*67496	. Gasket - Diaphragm	1
22	*67500	. Screw - Lever pin	1
23	*67508	. Pin - Lever	1
24	*67509	. Lever - Metering	1
25	*67503	. Spring - Lever	1
26	*67491	. Valve - Needle	1
27	*67492	. Plug - 3/8	1
28	*69506	. Plug - 5/16	1
29	*67507	. Screen - Fuel	1
	*67482	Gasket Set	
	68213	Repair Kit	

*Indicates parts included in Repair Kit, P/N 68213

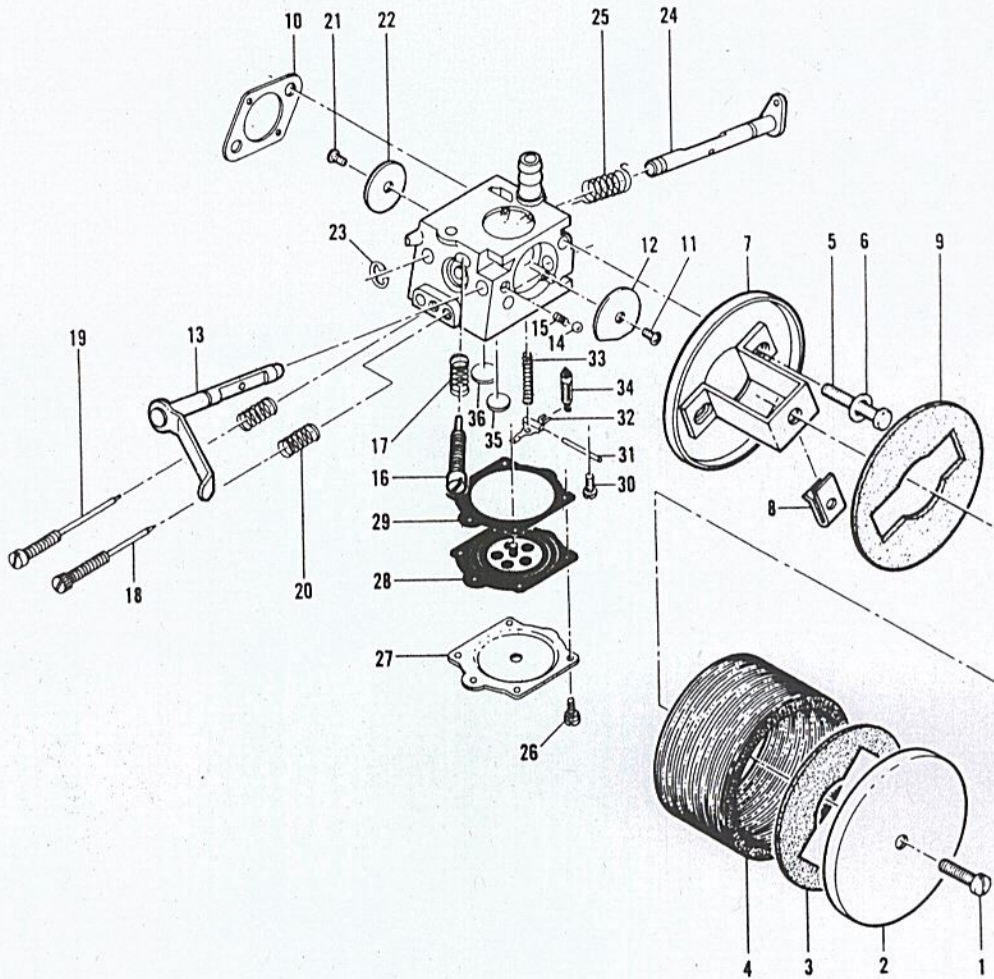
McCulloch SDC 7

P/N 68981

Venturi Dia. 0.625 in.
Throttle Bore Dia. 0.750 in.
No fuel pump on carburetor.

USED ON

Model	S/N Prefix	S/N's
MAC15	13-	



Item No.	Part Number	Description	Units Per Assy
1	104393	Screw - Pan hd 10-24 x 3/8	1
2	63091	Cover Assy - Air cleaner	1
3	63090	Gasket - Air cleaner cover	1
4	52961	Screen - Air cleaner	1
5	102586	Screw - Hex hd 10-24 x 2	2
6	36388	Lockplate	2
7	68982	Plate Assy - Air cleaner	1
8	104171	Nut - Speed	1
9	63090	Gasket - Air cleaner	1
10	68132	Gasket - Carburetor	1
	68981	Carburetor Assy	1
11	47690	Screw - Choke plate	1
12	69505	Plate - Choke	1
13	69504	Shaft Assy - Choke	1
14	*100302	Ball - Detent	1
15	*67504	Spring - Detent	1
16	*68106	Screw - Idle speed	1
17	67502	Spring - Idle speed screw	1
18	*68104	Needle - High speed adjustment	1

Item No.	Part Number	Description	Units Per Assy
19	*68105	Needle - Idle adjustment	1
20	*67502	Spring - Needle	2
21	*47690	Screw - Throttle plate	1
22	67487	Plate - Throttle	1
23	68211	Ring - Retaining	1
24	69503	Shaft Assy - Throttle	1
25	*69507	Spring - Throttle return	1
26	70798	Screw - Diaphragm cover	4
27	67485	Cover - Diaphragm	1
28	*67499	Diaphragm - Metering	1
29	*67496	Gasket - Diaphragm	1
30	*67500	Screw - Lever pin	1
31	*67508	Pin - Lever	1
32	*67509	Lever - Metering	1
33	*67503	Spring - Lever	1
34	*67491	Valve - Needle	1
35	*67492	Plug - 3/8	1
36	*69506	Plug - 5/16	1
	69508	Repair Kit	

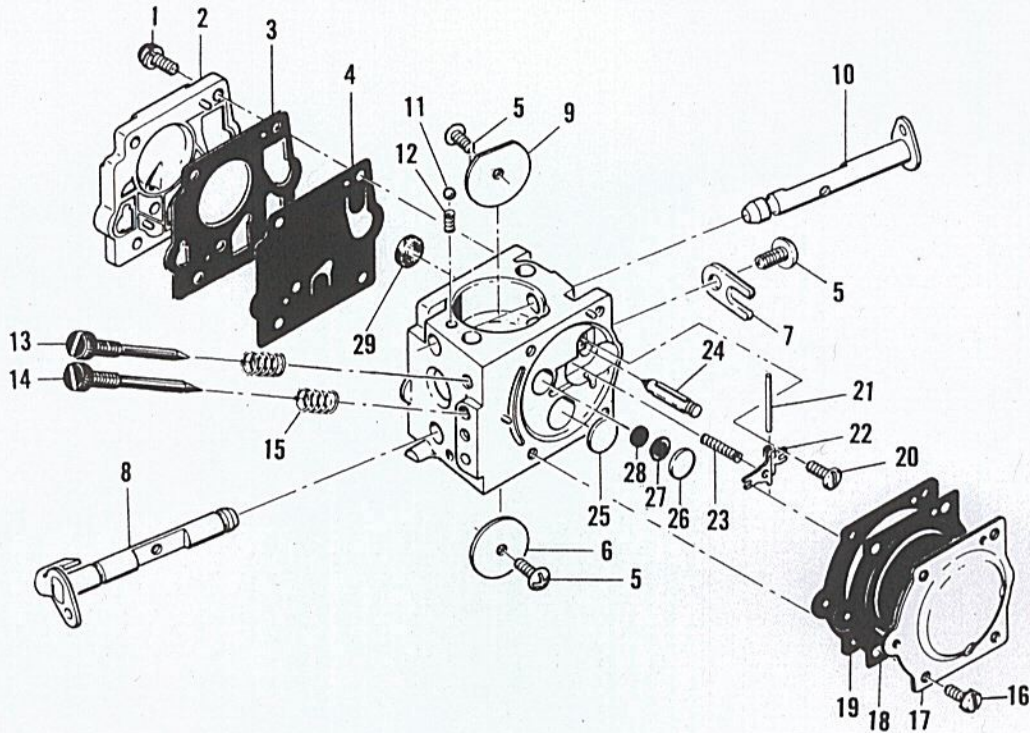
* Indicates parts included in Repair Kit P/N 69508

McCulloch SDC 16 P/N 83249
 Replaced by P/N 84015

Venturi Dia. 0.625 in.
 Throttle Bore Dia. 0.750 in.
 Internal adjustment needles on a slant.
 External speed screw.

USED ON

Model	S/N Prefix	S/N's
Super 10-10	14-	14000 & Up
Super 10-10A	13-	
MAC 10-10E	11-	



Item No.	Part Number	Description	Units Per Assy
	83249	Carburetor Assy	1
1	67501	. Screw - Pump cover	4
2	83760	. Cover - Pump	1
3	*67495	. Gasket - Cover	1
4	*83114	. Diaphragm - Fuel pump	1
5	*47690	. Screw - Plate	3
6	67487	. Plate - Throttle	1
7	67489	. Clip - Shaft	1
8	67486	. Shaft Assy - Throttle	1
9	67490	. Plate - Choke	1
10	67488	. Shaft - Choke	1
11	*100302	. Ball - Choke friction	1
12	*67504	. Spring - Choke	1
13	*83770	. Needle - High speed	1
14	*83771	. Needle - Idle	1
15	*67502	. Spring - Needle	2
16	70798	. Screw - Diaphragm cover	4
17	83761	. Cover - Diaphragm	1

Item No.	Part Number	Description	Units Per Assy
18	*67499	. Diaphragm - Metering	1
19	*67496	. Gasket - Diaphragm	1
20	*67500	. Screw - Lever pin	1
21	*67508	. Pin - Lever	1
22	*67509	. Lever - Metering	1
23	*67503	. Spring - Lever	1
24	*67491	. Valve - Needle	1
25	*71690	. Plug - 3/8	1
26	*69506	. Plug - 5/16	1
27	83758	. Kit - Valve & Seat Assy	1
28			
29	*67507	. Screen - Fuel	1
	*67482	Gasket Set	
	83772	Repair Kit	

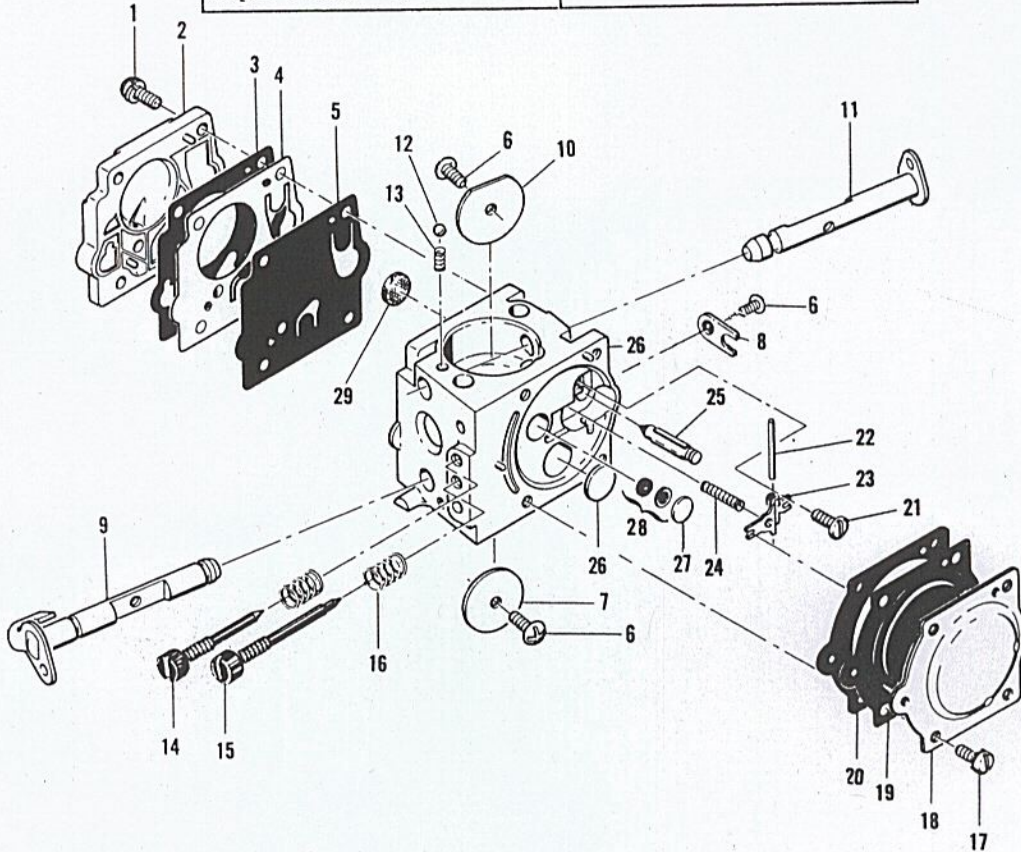
* Indicates parts included in Repair Kit, P/N 83772

Mc Culloch SDC 18 P/N 69942
 Replaced by P/N 84015

Venturi Dia. 0.750 in.
 Throttle Bore Dia. 0.812 in.
 External adjustment needles through
 a boot in fuel tank. Throttle shaft
 clip on choke side of carburetor.

USED ON

Model	S/N Prefix	Model	S/N Prefix
CP 70L	10-	Super 6-10A	17-
MAC 7-10A	10-	Super 2-10AL	10-, 11-
CP 55	11-, 12-	Super 10-10L	10-, 11-, C13-
CP 70	11-, 12-, 13-	Super 10-10AL	10-, 11-
Super 2-10A	17-	CP 55L	11-



Item No.	Part Number	Description	Units Per Assy
	69942	Carburetor Assy	1
1	67501	. Screw - Pump cover	4
2	83760	. Cover - Pump	1
3	*67495	. Gasket - Cover	1
4	*67498	. Diaphragm - Check valve	1
5	*83114	. Diaphragm - Fuel pump	1
6	*47690	. Screw - Plate	3
7	83762	. Plate - Throttle	1
8	67489	. Clip - Shaft	1
9	67486	. Shaft Assy - Throttle	1
10	67490	. Plate - Choke	1
11	67488	. Shaft Assy - Choke	1
12	*100302	. Ball - Choke friction	1
13	*67504	. Spring - Choke	1
14	*68104	. Needle - High speed	1
15	*68105	. Needle - Idle	1

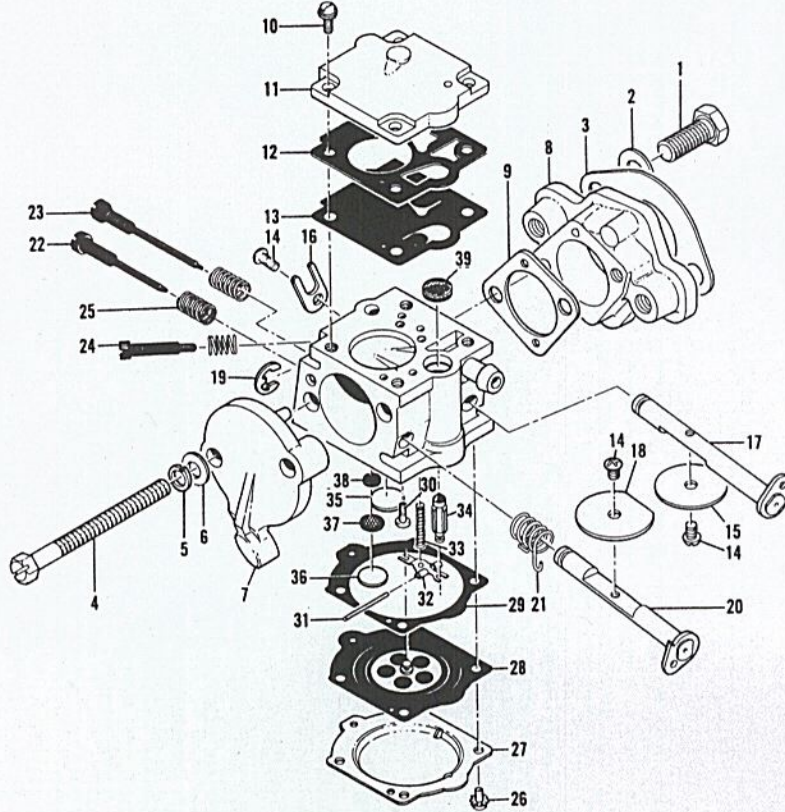
Item No.	Part Number	Description	Units Per Assy
16	*67502	. Spring - Needle	2
17	70798	. Screw - Diaphragm cover	4
18	83761	. Cover - Diaphragm	1
19	*67499	. Diaphragm - Metering	1
20	*67496	. Gasket - Diaphragm	1
21	*67500	. Screw - Lever pin	1
22	*67508	. Pin - Lever	1
23	*67509	. Lever - Metering	1
24	*67503	. Spring - Lever	1
25	*67491	. Valve - Needle	1
26	*71690	. Plug - 3/8	1
27	*69506	. Plug - 5/16	1
28	83758	. Kit - Valve & Seat Assy	1
29	*67507	. Screen - Fuel	1
	*67482	Gasket Set	
	83764	Repair Kit	

* Indicates parts included in Repair Kit, P/N 83764

Venturi Dia. 0.750 in.
 Throttle Bore Dia. 0.812 in.
 Requires spit-back shield and an adaptor.
 This carburetor included in Kit 83740.

USED ON

Model	S/N Prefix	S/N's
795L Super 797	10-, 11- 15-, 16-	



Item No.	Part Number	Description	Units Per Assy
1	100882	Screw - Hex hd 1/4-20 x 3/4	2
2	100005	Washer - 1/4	2
3	65586	Gasket - Adapter	1
4	110614	Screw - Hex hd 10-24 x 2-3/8	2
5	103174	Lockwasher - #10	2
6	24236	Washer - Special	2
7	83734	Shield - Spitback	1
8	83722	Adapter - Carburetor	1
9	83059	Gasket - Carburetor	1
	83733	Carburetor Assy	1
10	67501	. Screw - Pump cover	4
11	83760	. Cover - Pump	1
12	*67495	. Gasket - Cover	1
13	*83114	. Diaphragm - Pump	1
14	*47690	. Screw - Plate	3
15	83762	. Plate - Throttle	1
16	67489	. Clip - Throttle shaft	1
17	83766	. Shaft Assy - Throttle	1
18	67490	. Plate - Choke	1
19	68211	. Ring - Retaining	1
20	83767	. Shaft Assy - Choke	1

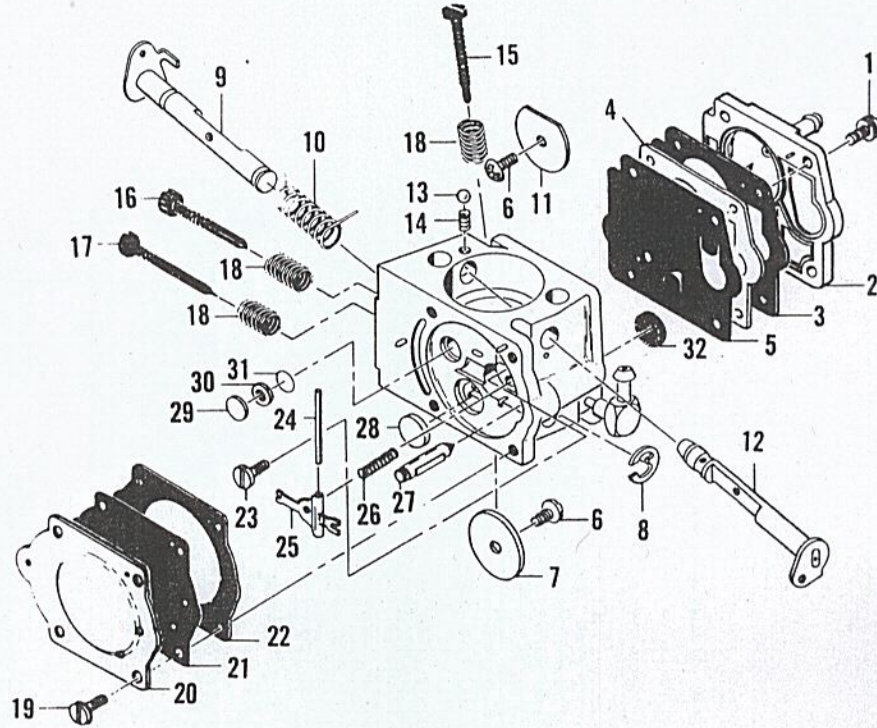
Item No.	Part Number	Description	Units Per Assy
21	*83752	. Spring - Choke return	1
22	*68104	. Needle - High speed adj.	1
23	*68105	. Needle - Idle adj.	1
24	*68106	. Screw - Idle speed adj.	1
25	*67502	. Spring - Adjustment	3
26	70798	. Screw - Diaphragm cover	4
27	83761	. Cover - Diaphragm	1
28	*67499	. Diaphragm	1
29	*67496	. Gasket - Diaphragm	1
30	*67500	. Screw - Lever pin	1
31	*67508	. Pin - Lever	1
32	*67509	. Lever - Metering	1
33	*67503	. Spring - Lever	1
34	*67491	. Valve - Needle	1
35	*71690	. Plug - 3/8	1
36	*69506	. Plug - 5/16	1
37	83758	. Kit - Valve & Seat Assy	1
38			
39	*67507	. Screen - Fuel	1
	*67482	Gasket Set	
	83768	Repair Kit	

* Indicates parts included in Repair Kit, P/N 83768

Venturi Dia. 0.750 in.
 Throttle Bore Dia. 0.812 in.
 Pulse fitting on fuel pump cover.
 Idle speed screw angles down
 to butterfly.

USED ON

Model	S/N Prefix	S/N's
CP 125	10-, 11-	
Sp 125	10-, 11-	



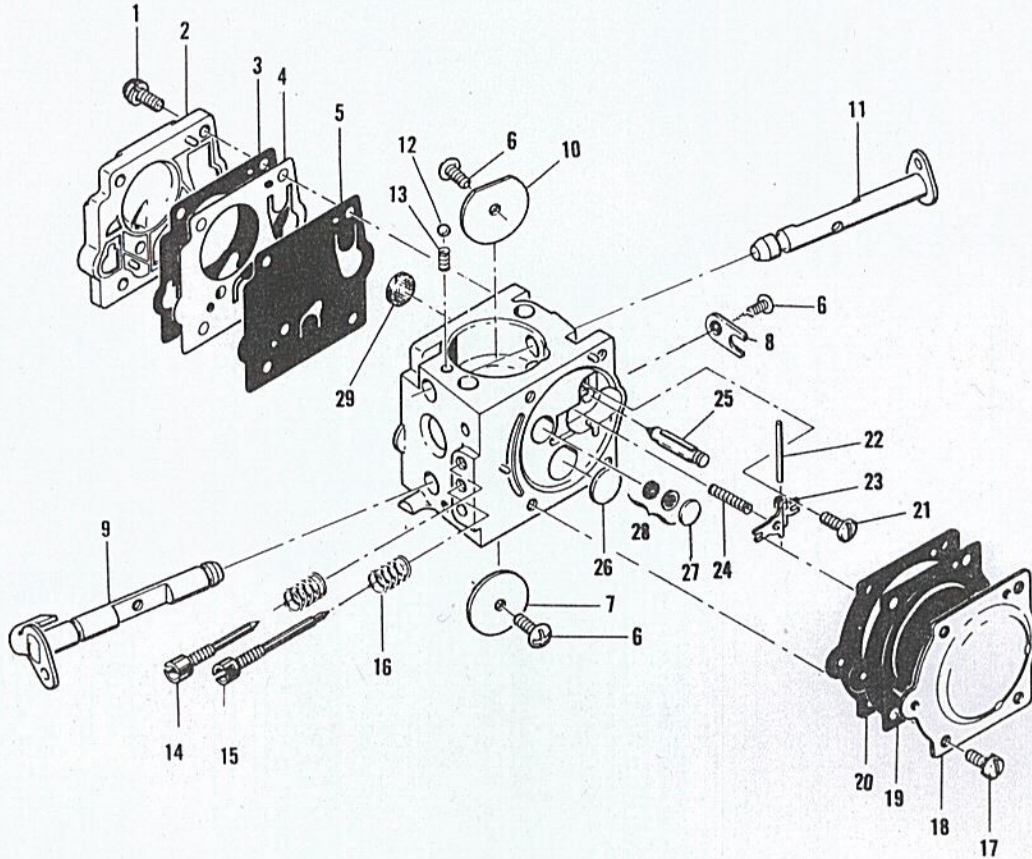
Item No.	Part Number	Description	Units Per Assy
	83550	Carburetor Assy	1
1	67501	. Screw - Pump cover	4
2	83774	. Cover - Pump	1
3	*67495	. Gasket - Cover	1
4	*67498	. Diaphragm - Check valve	1
5	83114	. Diaphragm - Fuel pump	1
6	47690	. Screw - Plate	2
7	83762	. Plate - Throttle	1
8	84198	. Ring - Retaining	1
9	83775	. Shaft Assy - Throttle	1
10	*83777	. Spring - Throttle return	1
11	67490	. Plate - Choke	1
12	83776	. Shaft Assy - Choke	1
13	*100302	. Ball - Choke friction	1
14	*67504	. Spring - Choke friction	1
15	68106	. Screw - Idle speed	1
16	*84189	. Needle - High speed	1
17	*68105	. Needle - Idle	1

Item No.	Part Number	Description	Units Per Assy
18	*67502	. Spring - Needle	3
19	70798	. Screw - Diaphragm cover	4
20	83761	. Cover - Diaphragm	1
21	*67499	. Diaphragm - Metering	1
22	*67496	. Gasket - Diaphragm	1
23	*67500	. Screw - Lever pin	1
24	*67508	. Pin - Inlet lever	1
25	*67509	. Lever - Inlet	1
26	*67503	. Spring - Lever	1
27	*67491	. Valve - Needle	1
28	*71690	. Plug - 3/8	1
29	*69506	. Plug - 5/16	1
30	83758	. Kit - Valve & Seat Assy	1
31			
32	*67507	. Screen - Fuel	1
	*67482	Gasket Set	
	83778	Repair Kit	

*Indicates parts included in Repair Kit, P/N 83778

USED ON

Model		S/N Prefix
Super 2-10C	600027	C10-
7-10A	600052	11-



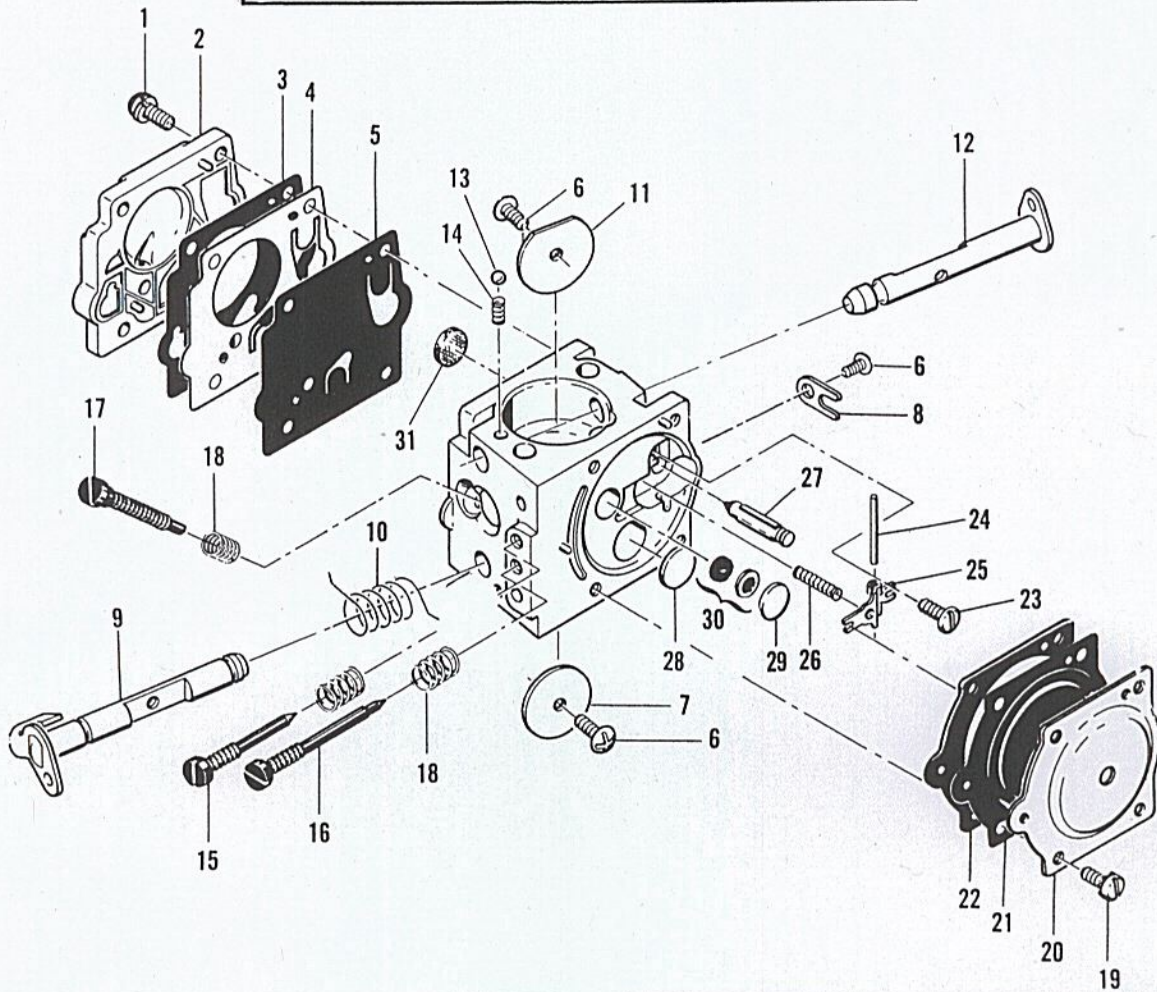
Item No.	Part Number	Description	Units Per Assy
	84015	Carburetor Assy	1
1	67501	. Screw - Pump cover	4
2	83760	. Cover - Pump	1
3	*67495	. Gasket - Cover	1
4	*67498	. Diaphragm - Check valve	1
5	*83114	. Diaphragm - Fuel pump	1
6	*47690	. Screw - Plate	3
7	83762	. Plate - Throttle	1
8	67489	. Clip - Shaft	1
9	67486	. Shaft Assy - Throttle	1
10	67490	. Plate - Choke	1
11	67488	. Shaft Assy - Choke	1
12	*100302	. Ball - Choke friction	1
13	*67504	. Spring - Choke	1
14	*67506	. Needle - High speed	1
15	*67505	. Needle - Idle	1

Item No.	Part Number	Description	Units Per Assy
16	*67502	. Spring - Needle	2
17	70798	. Screw - Diaphragm cover	4
18	83761	. Cover - Diaphragm	1
19	*67499	. Diaphragm - Metering	1
20	*67496	. Gasket - Diaphragm	1
21	*67500	. Screw - Lever pin	1
22	*67508	. Pin - Lever	1
23	*67509	. Lever - Metering	1
24	*67503	. Spring - Lever	1
25	*67491	. Valve - Needle	1
26	*71690	. Plug - 3/8	1
27	*69506	. Plug - 5/16	1
28	83758	. Kit - Valve & Seat Assy	1
29	*67507	. Screen - Fuel	1
	*67482	Gasket Set	
	67481	Repair Kit	

* Indicates parts included in Repair Kit, P/N 67481

USED ON

Model		S/N Prefix
MAC 10-10	600001	10-, 11-
MAC 10-10A	600002	10-, 11-



Item No.	Part Number	Description	Units Per Assy
	85720	Carburetor Assy	1
1	67501	. Screw - Pump cover	4
2	83760	. Cover - Pump	1
3	*67495	. Gasket - Cover	1
4	*67498	. Diaphragm - Check valve	1
5	*83114	. Diaphragm - Fuel pump	1
6	*47690	. Screw - Plate	3
7	83762	. Plate - Throttle	1
8	67489	. Clip - Shaft	1
9	67486	. Shaft Assy - Throttle	1
10	*85981	. Spring - Throttle shaft	1
11	67490	. Plate - Choke	1
12	67488	. Shaft Assy - Choke	1
13	*100302	. Ball - Choke friction	1
14	*67504	. Spring - Choke friction	1
15	*68104	. Needle - High speed	1
16	*68105	. Needle - Idle	1
17	68106	. Screw - Idle speed	1

Item No.	Part Number	Description	Units Per Assy
18	*67502	. Spring - Needle	3
19	70798	. Screw - Diaphragm cover	4
20	83761	. Cover - Diaphragm	1
21	*67499	. Diaphragm - Metering	1
22	*67496	. Gasket - Diaphragm	1
23	*67500	. Screw - Lever pin	1
24	*67508	. Pin - Lever	1
25	*67509	. Lever - Metering	1
26	*67503	. Spring - Lever	1
27	*67491	. Valve - Needle	1
28	*71690	. Plug - 3/8	1
29	*69506	. Plug - 5/16	1
30	83758	. Kit - Valve & Seat Assy	1
31	*67507	. Screen - Fuel	1
	*67482	Gasket Set	
	83764	Repair Kit	

*Indicates parts included in Repair Kit, P/N 83764

McCulloch SDC 38 P/N 85849

Replaced by P/N 87821

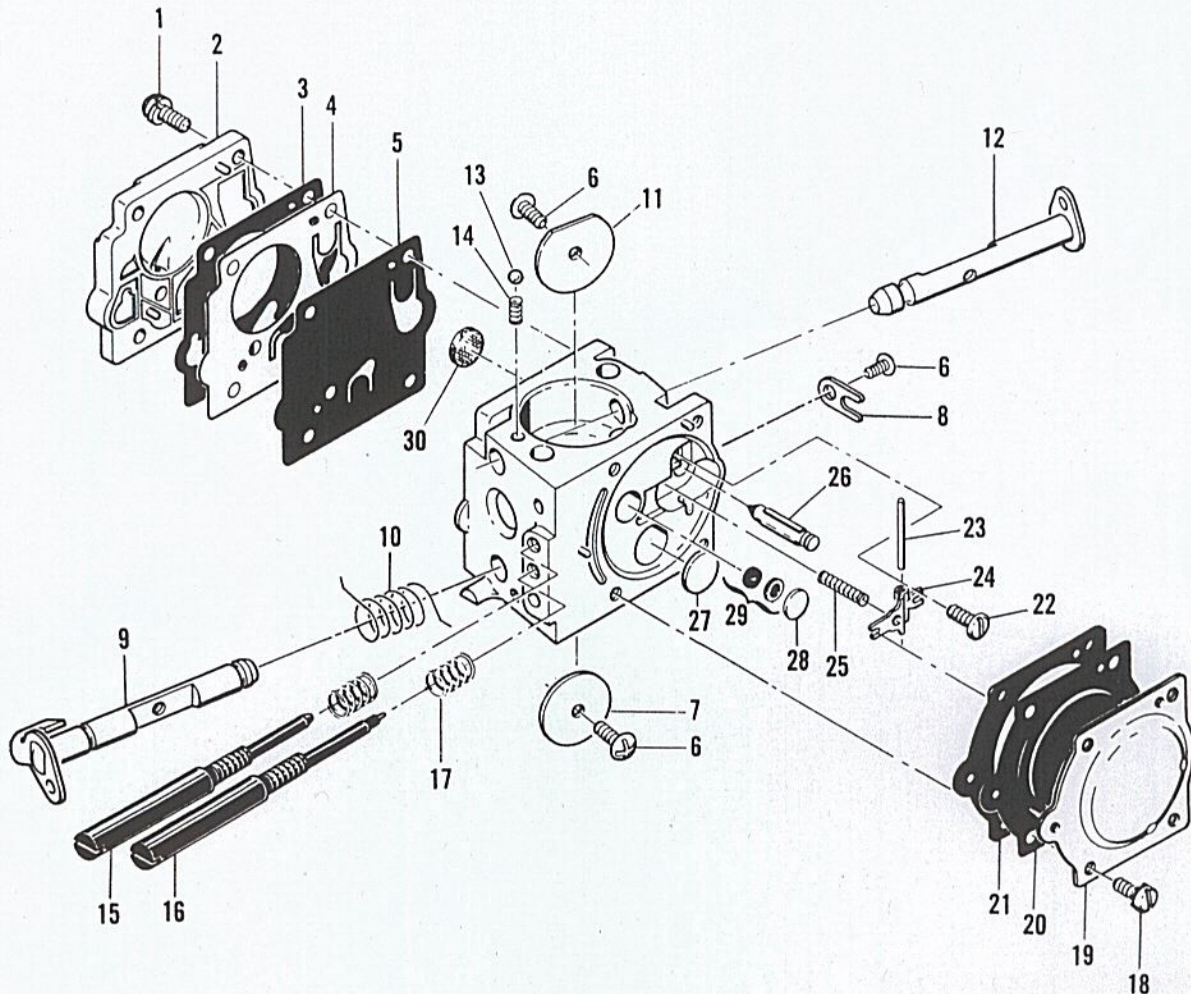
USED ON

Venturi Dia. 0.750 in.

Throttle Bore Dia. 0.812 in.

External adjustment. Long reach.

Model		S/N Prefix
SP 80	600435	11-, 12-
	600435 A, B, C, D, J	



Item No.	Part Number	Description	Units Per Assy
	85849	Carburetor Assy	1
1	67501	. Screw - Pump cover	4
2	83760	. Cover - Pump	1
3	*67495	. Gasket - Cover	1
4	*67498	. Diaphragm - Check valve	1
5	*83114	. Diaphragm - Fuel pump	1
6	*47690	. Screw - Plate	3
7	83762	. Plate - Throttle	1
8	67489	. Clip - Shaft	1
9	85980	. Shaft Assy - Throttle	1
10	85981	. Spring - Throttle return	1
11	67490	. Plate - Choke	1
12	67488	. Shaft Assy - Choke	1
13	*100302	. Ball - Choke friction	1
14	*67504	. Spring - Choke friction	1
15	*85979	. Needle - High speed	1
16	*85982	. Needle - Idle	1

Item No.	Part Number	Description	Units Per Assy
17	*67502	. Spring - Needle	2
18	70798	. Screw - Diaphragm	4
19	83761	. Cover - Diaphragm	1
20	*67499	. Diaphragm - Metering	1
21	*67496	. Gasket - Diaphragm	1
22	*67500	. Screw - Lever pin	1
23	*67508	. Pin - Lever	1
24	*67509	. Lever - Inlet	1
25	*67503	. Spring - Lever	1
26	*67491	. Valve - Needle	1
27	*71690	. Plug - 3/8	1
28	*69506	. Plug - 5/16	1
29	83758	. Kit - Valve & Seat Assy	1
30	*67507	. Screen - Fuel	1
	*67482	Gasket Set	
	85987	Repair Kit	

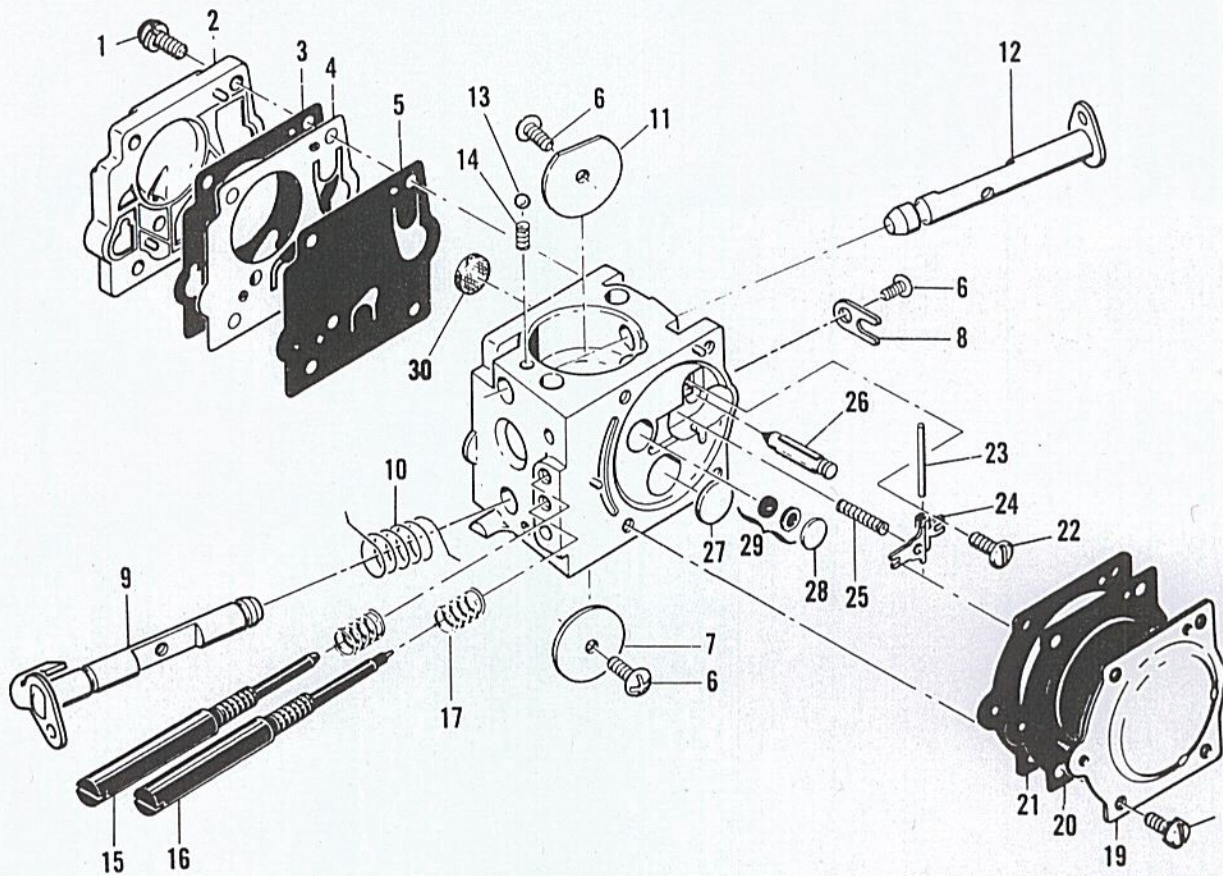
*Indicates parts included in Repair Kit, P/N 85987

McCulloch SDC 38A P/N 87821

Venturi Dia. 0.750 in.
Throttle Bore Dia. 0.812 in.
External adjustment. Long reach.

USED ON

Model		S/N Prefix
SP 70	600441 B, A	13-
SP 80	600435 B, C, D, J, A	13-
SP 60	600037 B, C, D, J	11-
SP 55	600431 D	12-



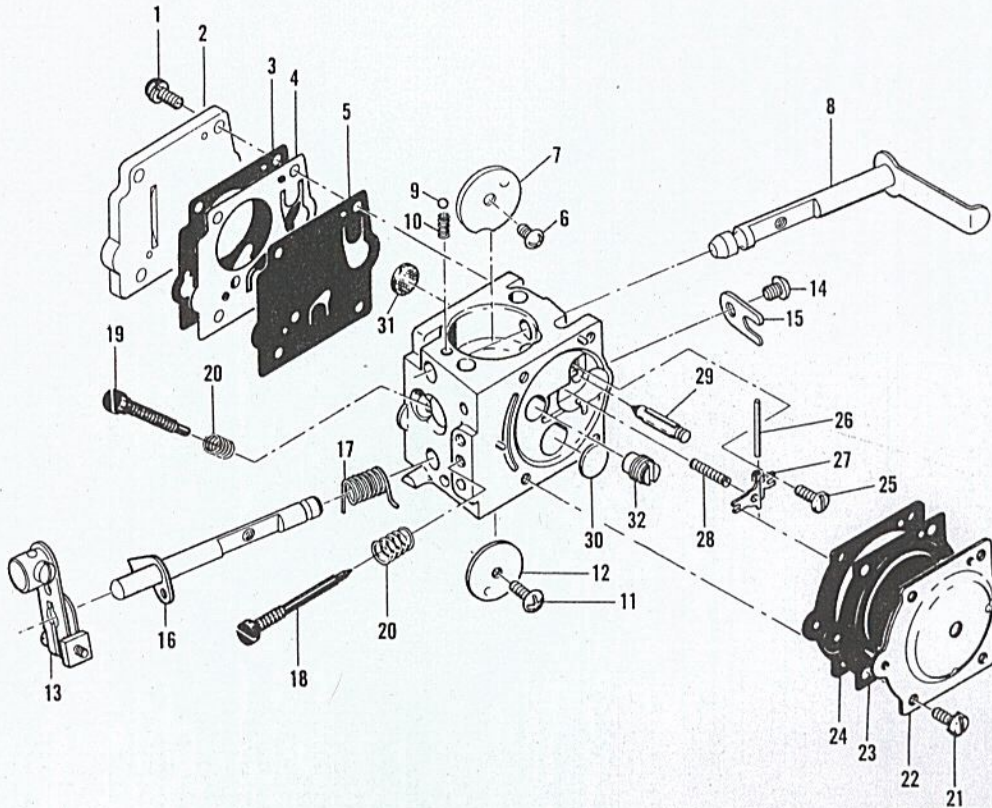
Item No.	Part Number	Description	Units Per Assy
	87821	Carburetor Assy	1
1	67501	. Screw - Pump cover	4
2	83760	. Cover - Pump	1
3	*67495	. Gasket - Cover	1
4	*67498	. Diaphragm - Check valve	1
5	*83114	. Diaphragm - Fuel pump	1
6	*47690	. Screw - Plate	3
7	83762	. Plate - Throttle	1
8	67489	. Clip - Shaft	1
9	85980	. Shaft Assy - Throttle	1
10	85981	. Spring - Throttle return	1
11	67490	. Plate - Choke	1
12	67488	. Shaft Assy - Choke	1
13	*100302	. Ball - Choke friction	1
14	*67504	. Spring - Choke friction	1
15	*85979	. Needle - High speed	1
16	*85982	. Needle - Idle	1

Item No.	Part Number	Description	Units Per Assy
17	*67502	. Spring - Needle	2
18	70798	. Screw - Diaphragm	4
19	83761	. Cover - Diaphragm	1
20	*67499	. Diaphragm - Metering	1
21	*67496	. Gasket - Diaphragm	1
22	*67500	. Screw - Lever pin	1
23	*67508	. Pin - Lever	1
24	*67509	. Lever - Inlet	1
25	*67503	. Spring - Lever	1
26	*67491	. Valve - Needle	1
27	*71690	. Plug - 3/8	1
28	*69506	. Plug - 5/16	1
29	83758	. Kit - Valve & Seat Assy	1
30	*67507	. Screen - Fuel	1
	*67482	Gasket Set	
	85987	Repair Kit	

*Indicates parts included in Repair Kit, P/N 85987

USED ON

Model	S/N Prefix	
MC 49E	400160 D	14-



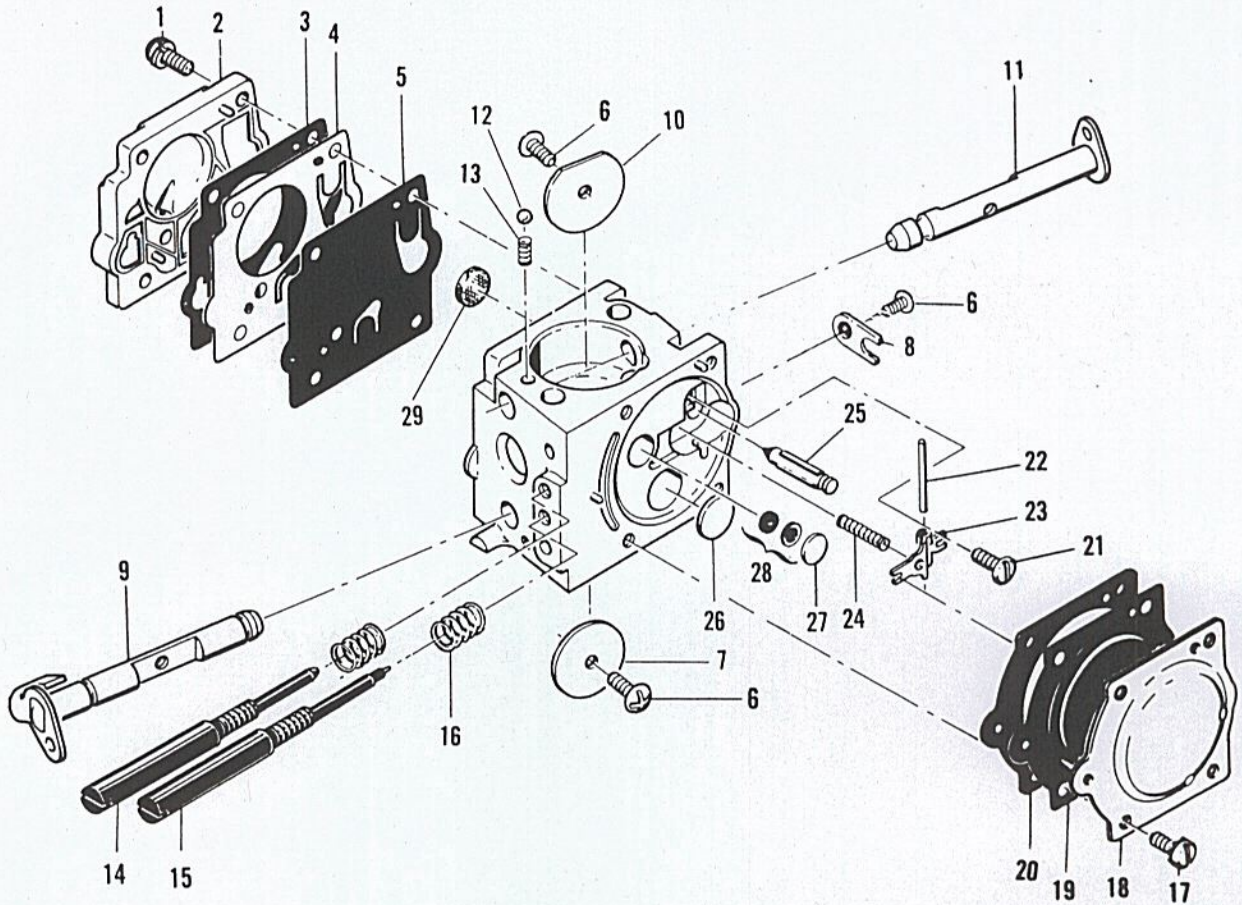
Item No.	Part Number	Description	Units Per Assy
	87742	Carburetor Assy	1
1	67501	. Screw Assy - Fuel pump cover	4
2	88611	. Cover - Fuel pump	1
3	*88617	. Gasket - Cover	1
4	**67498	. Diaphragm - Check valve	1
5	**83114	. Diaphragm - Fuel pump	1
6	**47690	. Screw - Plate	1
7	88615	. Plate - Choke	1
8	88613	. Shaft Assy - Choke	1
9	**100302	. Ball - Choke friction	1
10	**67504	. Spring - Choke friction	1
11	**47690	. Screw - Plate	1
12	83762	. Plate - Throttle	1
13	88614	. Lever & Swivel Assy - Throttle	1
14	**47690	. Screw - Clip	1
15	67489	. Clip - Throttle shaft	1
16	88612	. Shaft Assy - Throttle	1
17	**88618	. Spring - Throttle return	1
18	**68105	. Needle - Idle mixture	1

Item No.	Part Number	Description	Units Per Assy
19	**68106	. Screw - Idle speed	1
20	**67502	. Spring - Idle	2
21	70798	. Screw Assy - Cover	4
22	83761	. Cover - Diaphragm	1
23	**67499	. Diaphragm - Metering	1
24	*67496	. Gasket - Diaphragm	1
25	**67500	. Screw - Lever pin	1
26	**67508	. Pin - Lever	1
27	**67509	. Lever - Inlet	1
28	**67503	. Spring - Inlet lever	1
29	**67491	. Needle - Inlet	1
30	**71690	. Plug - Welch	1
31	**67507	. Screen - Fuel	1
32	88428	. Orifice - Main fuel (0.031")	1
	88429	. Orifice - Main fuel (0.033")	alt.
	88430	. Orifice - Main fuel (0.029")	alt.
	88431	. Orifice - Main fuel (0.028")	alt.
	**88619	Gasket Set	
	**88621	Orifice Repair Kit	
	88620	Repair Kit	

*Contained in Gasket Set 88619
**Contained in Repair Kit 88620

USED ON

Model		S/N Prefix
7-10A	600052 D, B, C, J, A	12-
PRO MAC 60	600036 A, B, C, D, J	11-



Item No.	Part Number	Description	Units Per Assy
	87666	Carburetor Assy	1
1	67501	. Screw - Pump cover	4
2	83760	. Cover - Pump	1
3	67495	. Gasket - Cover	1
4	67498	. Diaphragm - Check valve	1
5	83114	. Diaphragm - Fuel pump	1
6	47690	. Screw - Plate	3
7	83762	. Plate - Throttle	1
8	67489	. Clip - Shaft	1
9	67486	. Shaft Assy - Throttle	1
10	67490	. Plate - Choke	1
11	67488	. Shaft Assy - Choke	1
12	100302	. Ball - Choke friction	1
13	67504	. Spring - Choke	1
14	87915	. Needle - High speed	1

Item No.	Part Number	Description	Units Per Assy
15	87916	. Needle - Idle	1
16	67502	. Spring - Needle	2
17	70798	. Screw - Diaphragm cover	4
18	83761	. Cover - Diaphragm	1
19	67499	. Diaphragm - Metering	1
20	67496	. Gasket - Diaphragm	1
21	67500	. Screw - Lever pin	1
22	67508	. Pin - Lever	1
23	67509	. Lever - Metering	1
24	67503	. Spring - Lever	1
25	67491	. Valve - Needle	1
26	71690	. Plug - 3/8	1
27	69506	. Plug - 5/16	1
28	83758	. Kit - Valve & Seat Assy	1
29	67507	. Screen - Fuel	1

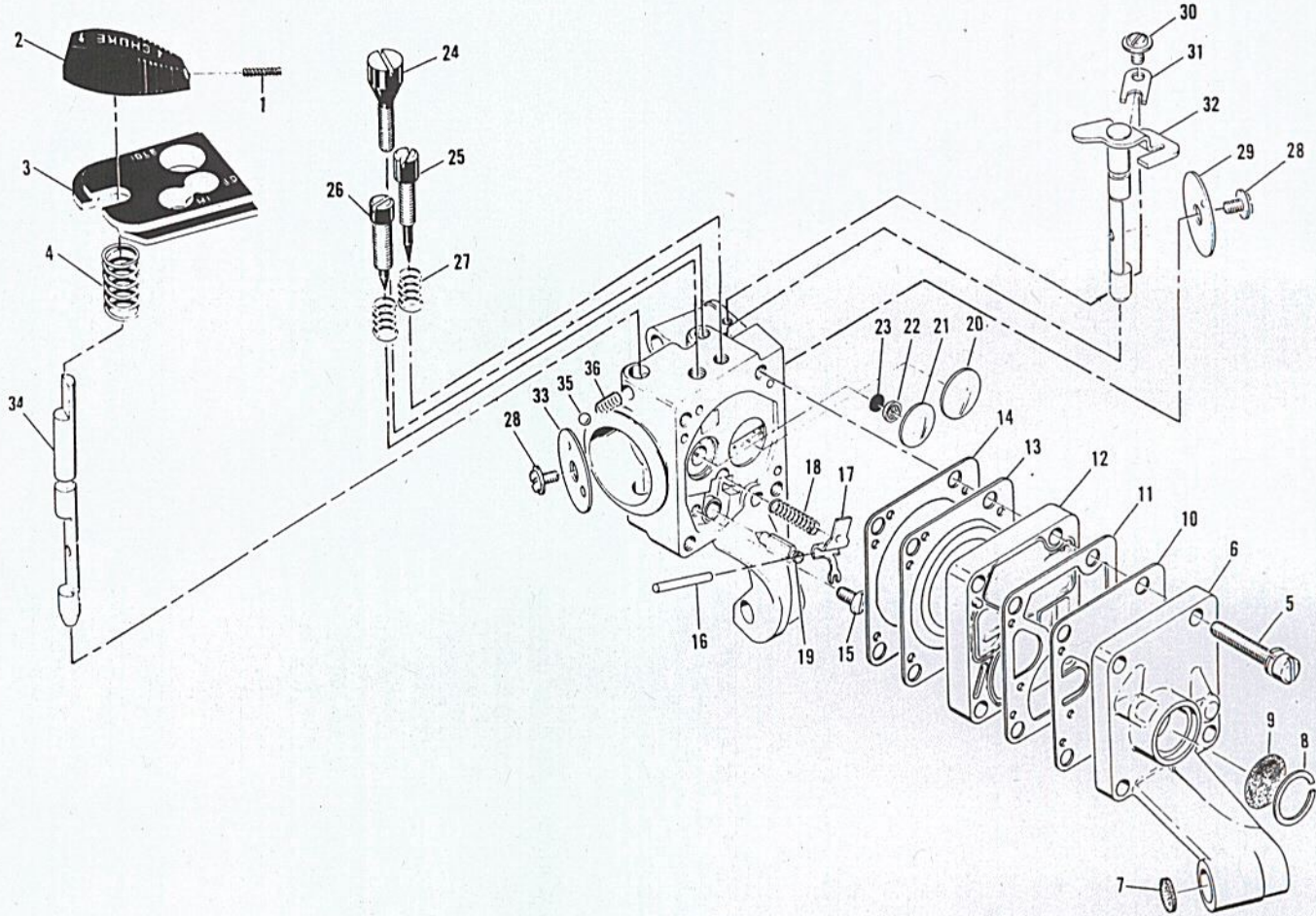
McCulloch MDC 2 P/N 83148

Venturi Dia. 0.484 in.
 Throttle Bore Dia. 0.625 in.
 Captive needle and lever combination.
 Replaces 67560 with free floating needle.

Replaced by MDC 4, P/N 87238

USED ON

Model	S/N Prefix	S/N's
PM 6	11-, 12-, 13-	
PM 6A	10-, 11-	



Item No.	Part Number	Description	Units Per Assy
1	110554	Screw - Set 4-40 x 1/2	1
2	68659	Knob - Choke	1
3	68814	Plate - Carburetor adj. cover	1
4	11086	Spring - Plate	1
	83148	Carburetor Assy	1
5	* 68564	. Screw Assy - Body	4
6	68879	. Cover Assy - Pump	1
7	* 68570	. . Screen - Inlet	1
8	68883	. . Retainer - Vent screen	1
9	* 68571	. . Screen - Vent	1
10	* 68563	. Diaphragm - Pump	1
11	68561	. Gasket - Diaphragm	1
12	68880	. Body - Fuel pump	1
13	* 68562	. Diaphragm - Carburetor	1
14	68881	. Gasket - Diaphragm	1
15	* 67500	. Screw - Lever pin	1
16	* 67508	. Pin - Lever	1
17	* 83756	. Lever - Inlet control	1
18	* 68567	. Spring - Lever	1
19	* 83753	. Needle - Fuel inlet	1

Item No.	Part Number	Description	Units Per Assy
20	* 68560	. Plug - 1/2	1
21	* 68559	. Plug - 7/16	1
22	* 83758	. Kit - Valve & Seat Assy	1
23			
24	* 68566	. Screw - Idle speed	1
25	* 68568	. Needle - Idle	1
26	* 68569	. Needle - High speed	1
27	* 67502	. Spring - Needle	2
28	* 83755	. Screw - Plate	3
29	68553	. Plate - Throttle shaft	1
30	* 70798	. Screw - Clip	1
31	* 68554	. Clip - Throttle shaft	1
32	68552	. Throttle Shaft Assy	1
33	68556	. Plate - Choke shaft	1
34	68555	. Choke Shaft	1
35	* 100302	. Ball - Choke friction	1
36	* 67504	. Spring - Choke friction	1
	* 68882	Gasket Set	
	83757	Repair Kit	

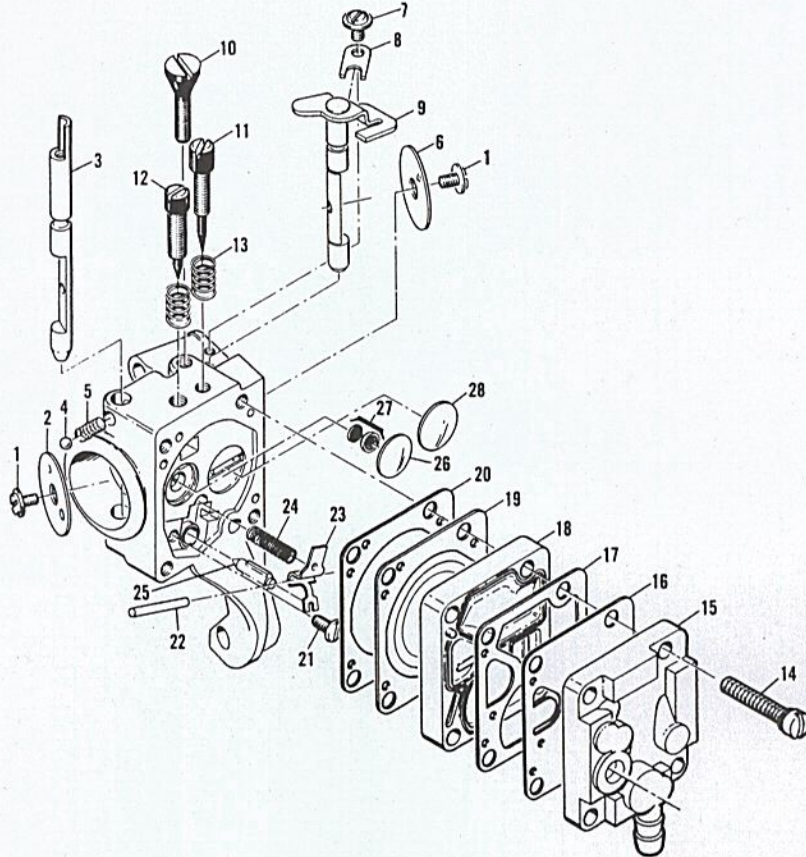
* In Repair Kit, P/N 83757

McCulloch MDC 3 P/N 83869
 Replaced by MDC 5, P/N 87239

Venturi Dia. 0.484 in.
 Throttle Bore Dia. 0.625 in.
 Captive needle and lever combination.

USED ON

Model	S/N Prefix	S/N's
Mini-Mac 6	11-	
Mini-Mac 6A	11-	



Item No.	Part Number	Description	Units Per Assy
	83869	Carburetor Assy	1
1	* 83755	. Screw - Plate	2
2	68556	. Plate - Choke	1
3	85033	. Shaft - Choke	1
4	* 100302	. Ball - Choke friction	1
5	* 67504	. Spring - Choke friction	1
6	68553	. Plate - Throttle	1
7	70798	. Screw - Clip	1
8	68554	. Clip - Throttle shaft	1
9	85032	. Shaft Assy - Throttle	1
10	* 68566	. Screw - Idle speed	1
11	* 68568	. Needle - Idle	1
12	* 68569	. Needle - High speed	1
13	* 67502	. Spring - Needle	2
14	* 68564	. Screw Assy - Body	4
15	85031	. Cover Assy - Pump	1

Item No.	Part Number	Description	Units Per Assy
16	* 68563	. Diaphragm - Fuel pump	1
17	* 85035	. Gasket - Pump diaphragm	1
18	85030	. Body - Fuel pump	1
19	* 85036	. Diaphragm - Metering	1
20	* 85034	. Gasket - Diaphragm	1
21	* 67500	. Screw - Lever pin	1
22	* 67508	. Pin - Lever	1
23	* 83756	. Lever - Inlet	1
24	* 68567	. Spring - Lever	1
25	* 83753	. Needle - Inlet	1
26	* 68559	. Plug - Welsh 7/16	1
27	* 83758	. Kit - Check valve	1
28	* 68560	. Plug - Welsh 1/2	1
	85041	Repair Kit	

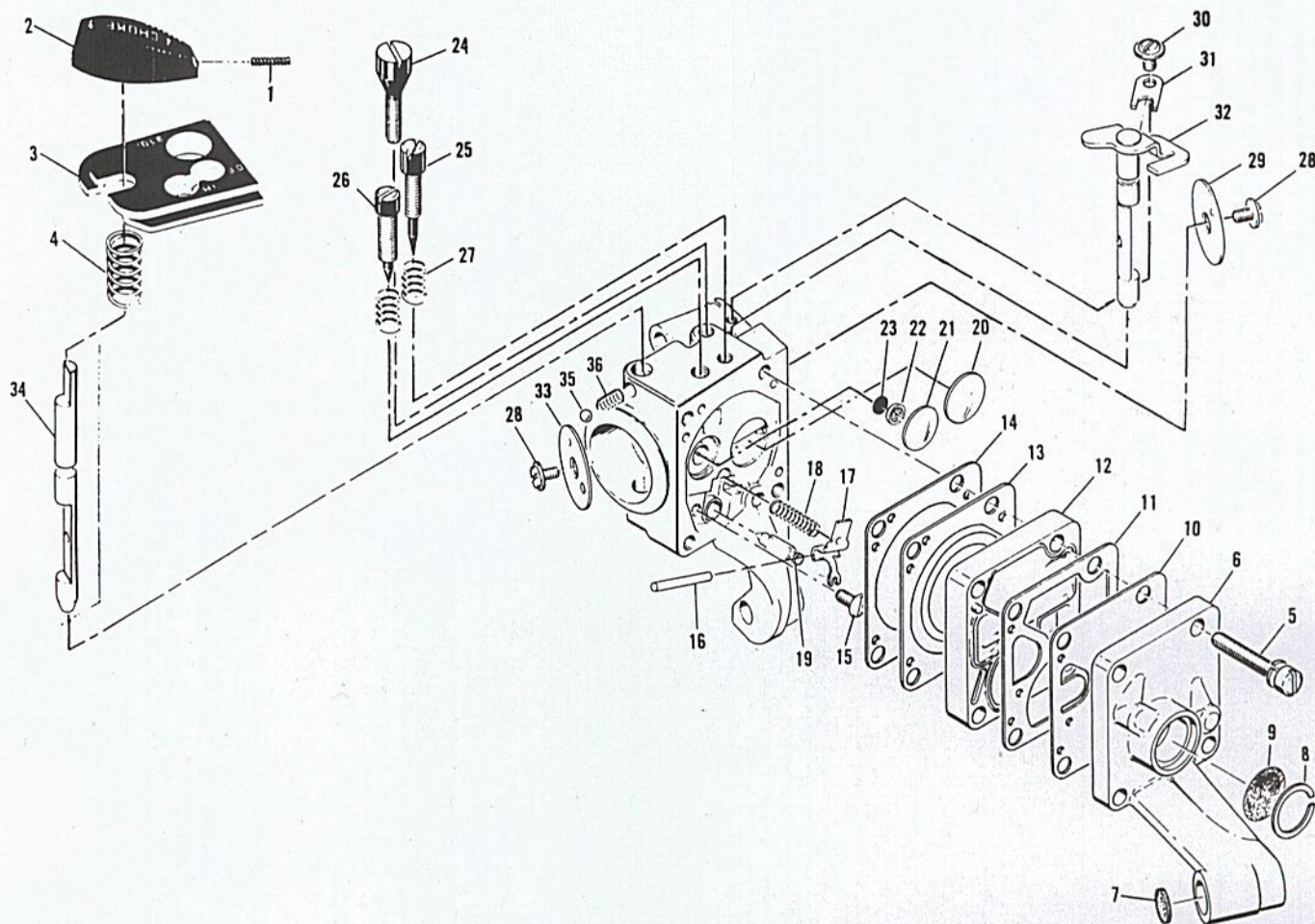
* Included in Repair Kit, P/N 85041

McCulloch MDC 4 P/N 87238

Venturi Dia. 0.484 in.
Throttle Bore Dia. 0.625 in.
Captive needle and lever combination.

USED ON

Model		S/N Prefix
PM 6	600085	13-
PM 6A	600086	11-



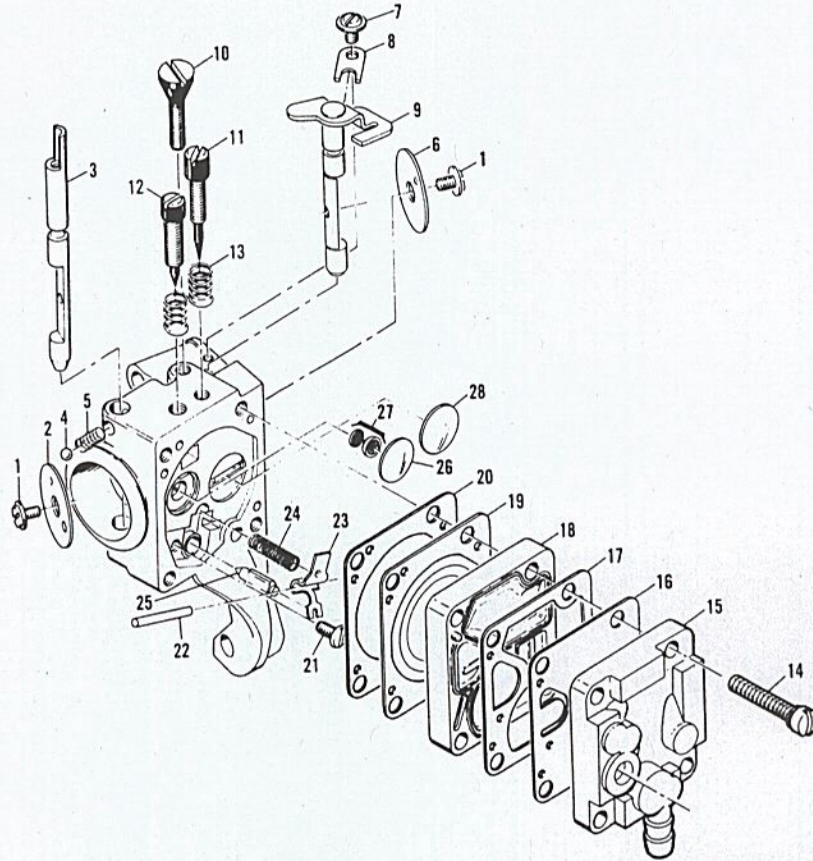
Item No.	Part Number	Description	Units Per Assy
1	110554	Screw - Set 4-40 x 1/2	1
2	68659	Knob - Choke	1
3	68814	Plate - Carburetor adj. cover	1
4	11086	Spring - Plate	1
	87238	Carburetor Assy	1
5	* 68564	. Screw Assy - Body	4
6	68879	. Cover Assy - Pump	1
7	* 68570	. . Screen - Inlet	1
8	68883	. . Retainer - Vent screen	1
9	* 68571	. . Screen - Vent	1
10	* 68563	. Diaphragm - Pump	1
11	68561	. Gasket - Diaphragm	1
12	68880	. Body - Fuel pump	1
13	* 68562	. Diaphragm - Carburetor	1
14	68881	. Gasket - Diaphragm	1
15	* 67500	. Screw - Lever pin	1
16	* 67508	. Pin - Lever	1
17	* 83756	. Lever - Inlet control	1
18	* 68567	. Spring - Lever	1
19	* 83753	. Needle - Fuel inlet	1

Item No.	Part Number	Description	Units Per Assy
20	* 68560	. Plug - 1/2	1
21	* 68559	. Plug - 7/16	1
22	* 83758	. Kit - Valve & Seat Assy	1
23			
24	* 68566	. Screw - Idle speed	1
25	* 86446	. Needle - Idle	1
26	* 86447	. Needle - High speed	1
27	* 67502	. Spring - Needle	2
28	* 83755	. Screw - Plate	3
29	68553	. Plate - Throttle shaft	1
30	* 70798	. Screw - Clip	1
31	* 68554	. Clip - Throttle shaft	1
32	68552	. Throttle Shaft Assy	1
33	68556	. Plate - Choke shaft	1
34	68555	. Choke Shaft	1
35	* 100302	. Ball - Choke friction	1
36	* 67504	. Spring - Choke friction	1
	* 68882	Gasket Set	
	86457	Repair Kit	

* In Repair Kit, P/N 86457

USED ON

Model		S/N Prefix
Mini-Mac 6	600081	12-
Mini-Mac 6A	600080	13-
Mini-Mac 1	600081	12-



Index No.	Part Number	Description	Units Per Assy
	87239	Carburetor Assy	1
1	* 83755	. Screw - Plate	2
2	68556	. Plate - Choke	1
3	85033	. Shaft - Choke	1
4	* 100302	. Ball - Choke friction	1
5	* 67504	. Spring - Choke friction	1
6	68553	. Plate - Throttle	1
7	70798	. Screw - Clip	1
8	68554	. Clip - Throttle shaft	1
9	85032	. Shaft Assy - Throttle	1
10	* 68566	. Screw - Idle speed	1
11	* 86446	. Needle - Idle	1
12	* 86447	. Needle - High speed	1
13	* 67502	. Spring - Needle	2
14	* 68564	. Screw Assy - Body	4
15	88786	. Cover Assy - Pump	1

Index No.	Part Number	Description	Units Per Assy
16	* 68563	. Diaphragm - Fuel pump	1
17	* 88785	. Gasket - Pump diaphragm	1
18	85030	. Body - Fuel pump	1
19	* 85036	. Diaphragm - Metering	1
20	* 85034	. Gasket - Diaphragm	1
21	* 67500	. Screw - Lever pin	1
22	* 67508	. Pin - Lever	1
23	* 83756	. Lever - Inlet	1
24	* 68567	. Spring - Lever	1
25	* 83753	. Needle - Inlet	1
26	* 68559	. Plug - Welsh 7/16	1
27	* 83758	. Kit - Check valve	1
28	* 68560	. Plug - Welsh 1/2	1
	88787	Gasket Set	
	86463	Repair Kit	

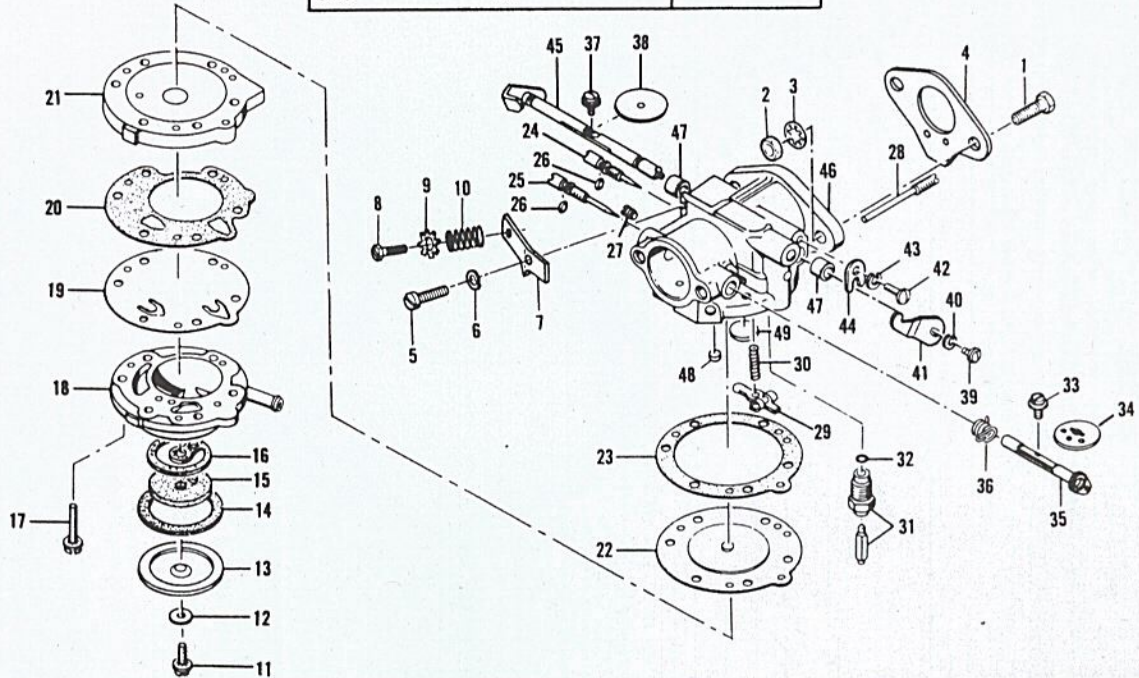
* Included in Repair Kit, P/N 86463

Tillotson HL 19G P/N 83400
 Replaced by P/N 84367

Venturi Dia. 0.687 in.
 Throttle Bore Dia. 0.812 in.
 For engines with high speed governor
 vane, and has a spring loaded choke.
 Included in kit 84000 for replacement of
 Carburetor 66532. Also replaces Carb.
 51984C.

USED ON

Model	S/N Prefix	S/N's
895	11-	



Item No.	Part Number	Description	Units Per Assy
1	100882	Screw - Hex hd 1/4-20 x 3/4	2
2	103242	Nut - Hex 1/4-20	2
3	101476	Lockwasher - 1/4	2
4	65586	Gasket - Carburetor	1
	83400	Carburetor Assy	1
5	100362	Screw - Idle bracket retaining	1
6	100252	Lockwasher - #8	1
7	51706	Bracket - Idle screw	1
8	*103845	Screw - Hex hd 8-32 x 5/8	1
9	*51549	Washer - Special	1
10	*51705	Spring - Idle speed regulating screw	1
11	*50797	Screw - Fuel strainer cover	1
12	*50798	Gasket - Fuel strainer cover screw	1
13	50796	Cover - Fuel strainer	1
14	51704	Gasket - Fuel strainer cover	1
15	*53717	Element - Fuel filter	1
16	*53565	Gasket - Fuel filter	1
17	51597	Screw - Fil hd 6-32 x 3/4	6
18	50670	Body - Fuel pump	1
19	*51595	Diaphragm - Fuel pump	1
20	65592	Gasket - Fuel pump	1
21	51592	Cover - Main fuel diaphragm	1
22	66167	Diaphragm - Mail fuel	1
23	65591	Gasket - Main fuel diaphragm	1
24	*51702	Needle - Adjustment, idle mixture	1
25	*53718	Needle - Adjustment, main mixture	1

Item No.	Part Number	Description	Units Per Assy
26	*104001	"O" Ring	2
27	51589	Screw - Drain plug	1
28	*51710	Pin - Inlet lever fulcrum	1
29	*51709	Lever - Inlet control	1
30	*51711	Spring - Inlet control lever	1
31	*51707A	Needle, Seat, and Gasket Assy	1
32	51708	Gasket - Needle seat	1
33	51721	Screw - Choke shutter (SEMS)	1
34	53813	Shutter - Choke	1
35	53814	Shaft Assy - Choke	1
36	*51586	Spring - Torsion (choke shutter return)	1
37	*51721	Screw - Throttle shutter (SEMS)	1
38	51720	Shutter - Throttle	1
39	*51719	Screw - Throttle lever retaining	1
40	*100261	Lockwasher - #4	1
41	57893A	Lever - Throttle shaft	1
42	51717	Screw - Throttle shaft clip	1
43	100252	Lockwasher - #8	1
44	51716	Clip - Throttle shaft	1
45	53815	Shaft Assy - Throttle	1
46	51588C	Carburetor Body Assy	1
47	51715	Bushing - Throttle Shaft	2
48	*57653	Plug - Body channel cup	1
49	*51583	Plug - Body channel welch, 3/8 in.	1
	*50806	Gasket Set	
	53719	Repair Parts Kit	

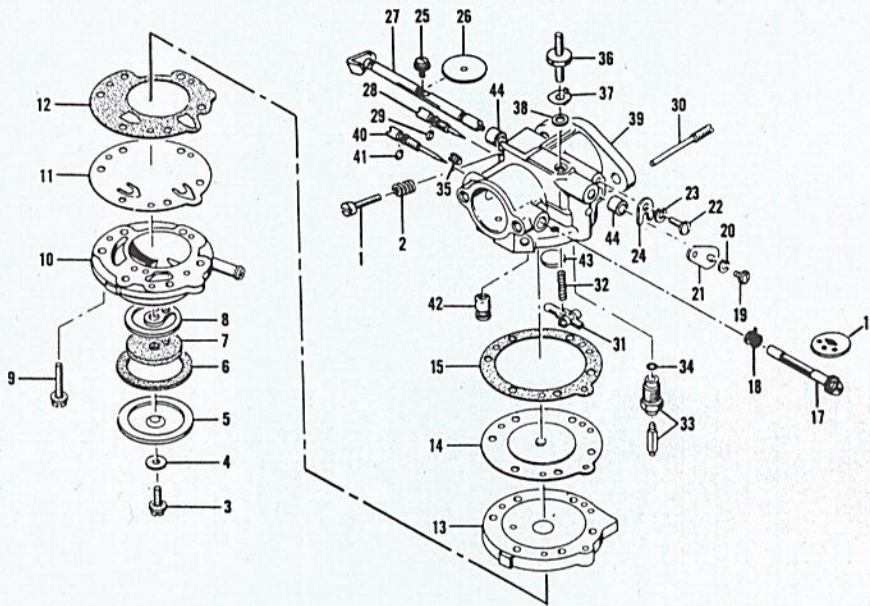
* Indicates contents of Repair Kit, P/N 53719

Tillotson HL 63G P/N 66346
 Replaced by P/N 84351 Kit
 (with 84050 carburetor)

Venturi Dia. 0.687 in.
 Throttle Bore Dia. 0.812 in.
 Has a spring loaded choke, air cleaner
 cover stud and a high speed check valve.

USED ON

Model	S/N Prefix	S/N's
250	11-	10001 to 12602
Super 250	12-	
550	11-, 12-	
660	11-, 12-	



Item No.	Part Number	Description	Units Per Assy
	66346	Carburetor Assy	1
1	*50799	Screw - Idle speed regulating	1
2	*51705	Spring - Idle speed regulating screw	1
3	*50797	Screw - Fuel filter cover	1
4	50798	Gasket - Fuel filter cover	1
5	50796	Cover - Fuel filter	1
6	51704	Gasket - Fuel filter cover	1
7	*53717	Filter Element - Fuel	1
8	53565	Gasket - Fuel filter	1
9	51597	Screw - Fuel pump body	6
10	50670	Body - Fuel pump	1
11	*51595	Diaphragm - Fuel pump	1
12	65592	Gasket - Fuel pump	1
13	51592	Cover - Diaphragm	1
14	*66167	Diaphragm Assy	1
15	65591	Gasket - Diaphragm	1
16	53813	Shutter - Choke	1
17	53814	Shaft & Lever - Choke	1
18	*51586	Spring - Choke shaft return	1
19	*51719	Screw - Throttle governor lever	1
20	*100261	Lockwasher #4	1
21	51718	Lever - Throttle governor	1
22	*51717	Screw - Throttle shaft clip	1

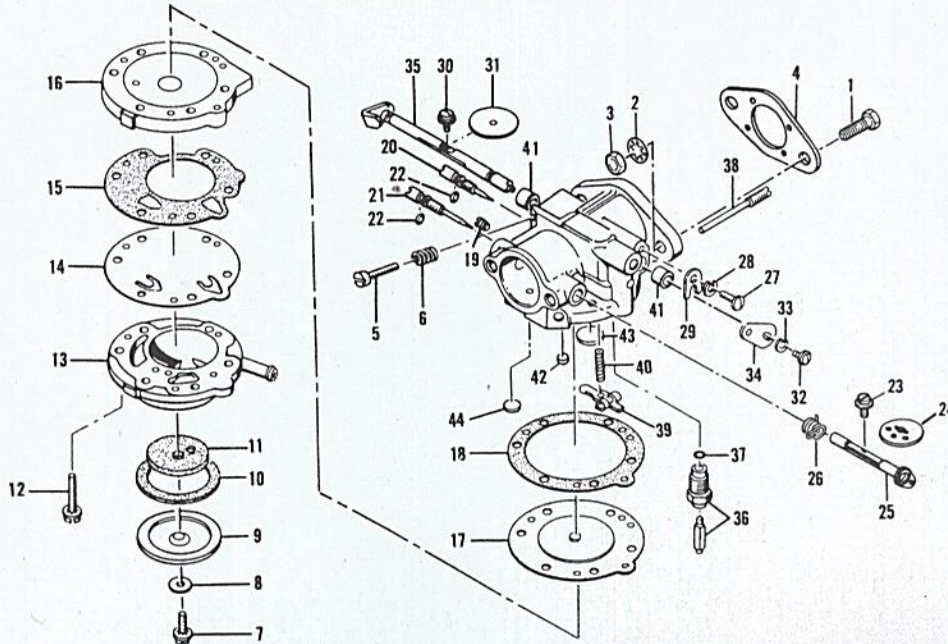
Item No.	Part Number	Description	Units Per Assy
23	*100252	Lockwasher #8	1
24	51716	Clip - Throttle shaft	1
25	*51721	Screw - Throttle shutter	1
26	51720	Shutter - Throttle	1
27	50803A	Throttle Shaft & Lever	1
28	*51702	Needle Assy - Idle adjustment	1
29	104001	"O" Ring	1
30	*51710	Screw - Inlet control lever pinion	1
31	*51709	Lever - Inlet control	1
32	*66404	Spring - Inlet tension	1
33	*51707A	Seat & Needle Assy	1
34	51708	Gasket - Inlet seat	1
35	51589	Drain Screw - Diaphragm chamber	1
36	50785	Stud - Air cleaner attachment	1
37	63026	Tab - Locking	1
38	63945	Gasket - Stud	1
39	66230	Body & Needle Assy - Carburetor	1
40	66405	Needle Assy - Main adjustment	1
41	104001	"O" Ring	1
42	65611	Check Valve	1
43	*51583	Plug - Welch	1
44	51715	Bushing - Shaft	2
	*50806	Gasket & Packing Set	1
	66422	Repair Parts Kit	1

*Indicates part in Repair Kit #66422.

Tillotson HL 103E P/N 83450
 Replaced by P/N 84367
 USED ON

Venturi Dia. 0.687 in.
 Throttle Bore Dia. 0.812.
 Spring loaded choke.

Model	S/N Prefix	S/N's
Super 797	13-	



Item No.	Part Number	Description	Units Per Assy
1	100882	Screw - Hex hd 1/4-20 x 3/4	2
2	101476	Lockwasher - 1/4	2
3	103242	Nut - Hex 1/4-20	2
4	65586	Gasket - Carburetor	1
4	83450	Carburetor Assy	1
5	*50799	. Screw - Idle speed regulating	1
6	*51705	. Spring - Idle speed regulating screw	1
7	*50797	. Screw - Fuel strainer cover retaining	1
8	50798	. Gasket - Fuel strainer cover retaining	1
9	50796	. Cover - Fuel strainer	1
10	51704	. Gasket - Fuel strainer cover	1
11	*53717	. Element - Fuel strainer	1
12	51597	. Screw and Lockwasher - Fuel pump body	6
13	50670	. Body - Fuel pump	1
14	53164	. Diaphragm - Fuel pump	1
15	*65592	. Gasket - Fuel pump	1
16	51592	. Cover - Diaphragm	1
17	*66167	. Diaphragm	1
18	65591	. Gasket - Diaphragm	1
19	51589	. Drain Screw - Diaphragm chamber	1
20	*51702	. Screw - Idle adjustment	1
21	*53718	. Screw - Main adjustment	1
22	104001	. Seal ring	2
23	51721	. Screw and Lockwasher - Choke shutter	1

Item No.	Part Number	Description	Units Per Assy
24	53813	. Shutter - Choke	1
25	53814	. Shaft and Lever - Choke	1
26	51586	. Spring - Choke shaft return	1
27	51717	. Screw - Throttle shaft clip	1
28	100252	. Lockwasher - Throttle shaft clip	1
29	51716	. Clip - Throttle shaft	1
30	*51721	. Screw and Lockwasher - Throttle shutter	1
31	51720	. Shutter - Throttle	1
32	51719	. Screw - Throttle governor lever	1
33	100261	. Lockwasher - Throttle governor lever	1
34	51718	. Lever - Throttle governor	1
35	50803A	. Throttle Shaft and Lever	1
36	*51707A	. Seat and Needle	1
37	51708	. Gasket - Inlet seat	1
38	*51710	. Screw - Inlet control lever pinion	1
39	*51709	. Lever - Inlet control	1
40	51711	. Spring - Inlet tension	1
41	51715	. Bushing - Throttle shaft	2
42	*57653	. Plug - Body channel cup	1
43	*51583	. Plug - Body channel welch 3/8	1
44	*51584	. Plug - Body channel welch 1/4	1
	*50806	Gasket and Packing Set	1
	53719	Repair Parts Kit	1

* Indicates contents of Repair Parts Kit, P/N 53719

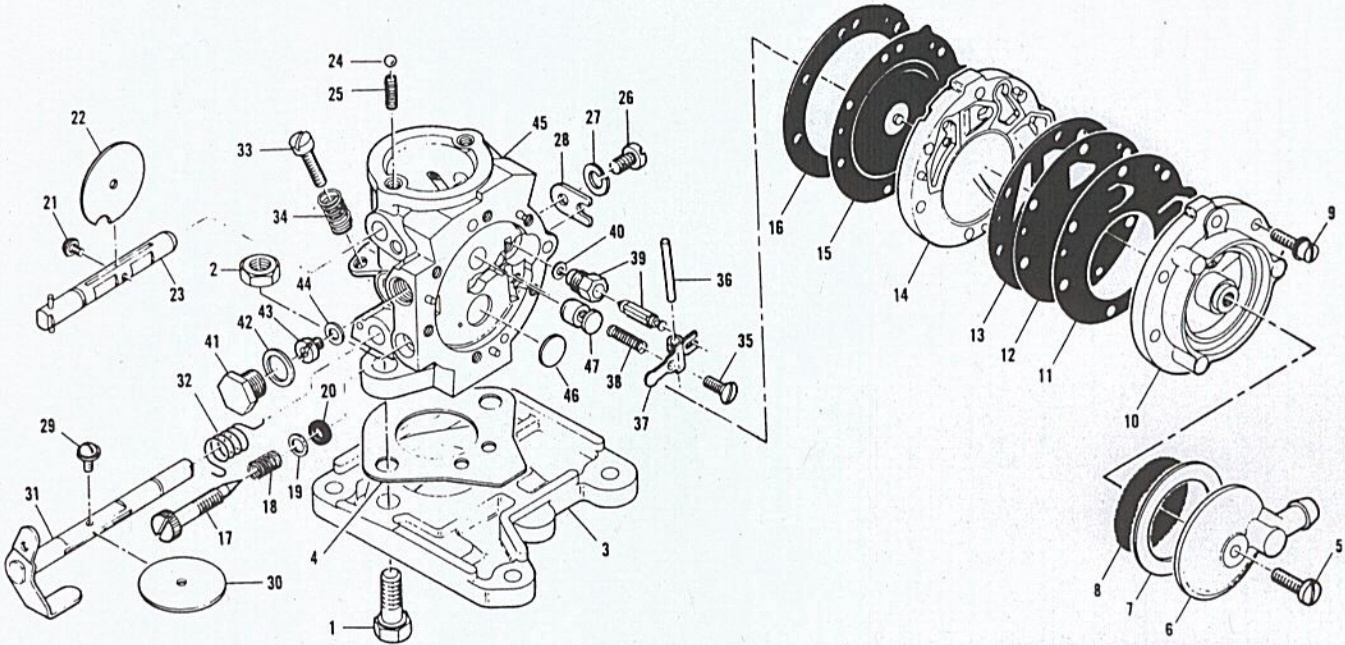
Tillotson HL 272A P/N 69856

Venturi Dia. 0.875 in.
Throttle Bore Dia. 1.000 in.
Included in Kit 84479 for the 940 engine.

In Kit 84667 for Welder
Has a fixed high speed mixture jet
with alternate orifice openings.

USED ON

Model	S/N Prefix	S/N's
940 Welder	11-	



Item No.	Part Number	Description	Units Per Assy
1	102157	Screw - Hx hd 1/4-20 x 5/8	2
2	101143	Nut - Hx 1/4-20	2
3	69853	Adapter - Carburetor	1
4	65586	Gasket - Carburetor	1
	69856	Carburetor Assy	1
5	* 51701	. Screw - Fuel strainer cover	1
6	51599	. Cover - Fuel strainer	1
7	48762	. Gasket - Fuel strainer cover	1
8	* 48761	. Screen - Fuel strainer	1
9	51597	. Screw Assy - Fuel pump body	6
10	84031	. Body - Fuel pump	1
11	* 84030	. Diaphragm - Check valve	1
12	* 84029	. Diaphragm - Fuel pump	1
13	65592	. Gasket - Fuel pump	1
14	84027	. Cover - Diaphragm	1
15	* 66167	. Diaphragm - Metering	1
16	65591	. Gasket - Diaphragm	1
17	* 52935	. Needle - Idle mix	1
18	* 52936	. Spring	1
19	52937	. Washer	1
20	52938	. Packing - Needle	1
21	51721	. Screw Assy	1
22	84026	. Shutter - Choke	1
23	84025	. Shaft Assy - Choke	1
24	100071	. Ball - Choke friction	1
25	52930	. Spring - Choke friction	1
26	51717	. Screw	1
27	100252	. Lockwasher	1

Item No.	Part Number	Description	Units Per Assy
28	51716	. Clip - Throttle shaft	1
29	* 51721	. Screw Assy	1
30	84041	. Shutter - Throttle	1
31	84039	. Shaft Assy - Throttle	1
32	84040	. Spring - Return	1
33	* 52940	. Screw - Idle speed adj.	1
34	* 51705	. Spring	1
35	* 66644	. Screw	1
36	* 84033	. Pin - Inlet valve	1
37	* 84032	. Lever - Inlet valve	1
38	* 66404	. Spring - Inlet lever	1
39	* 84034	. Needle and Seat - Inlet	1
40	51708	. . Gasket - Inlet valve	1
41	84037	. Plug - Main fuel jet	1
42	52941	. Gasket	1
43	* 84035	. Jet - Main fuel (0.041 orifice)	1
	84057	. Jet - Main fuel (0.043 orifice)	Alt
	84058	. Jet - Main fuel (0.039 orifice)	Alt
	84059	. Jet - Main fuel (0.037 orifice)	Alt
44	84036	. Gasket - Main fuel jet	1
45	84024	. Body - Carburetor	1
46	* 51583	. . Plug - Welch	1
47	84038	. . Nozzle - Check valve	1
	* 84042	Gasket & Packing Set	
	84043	Repair Parts Kit	

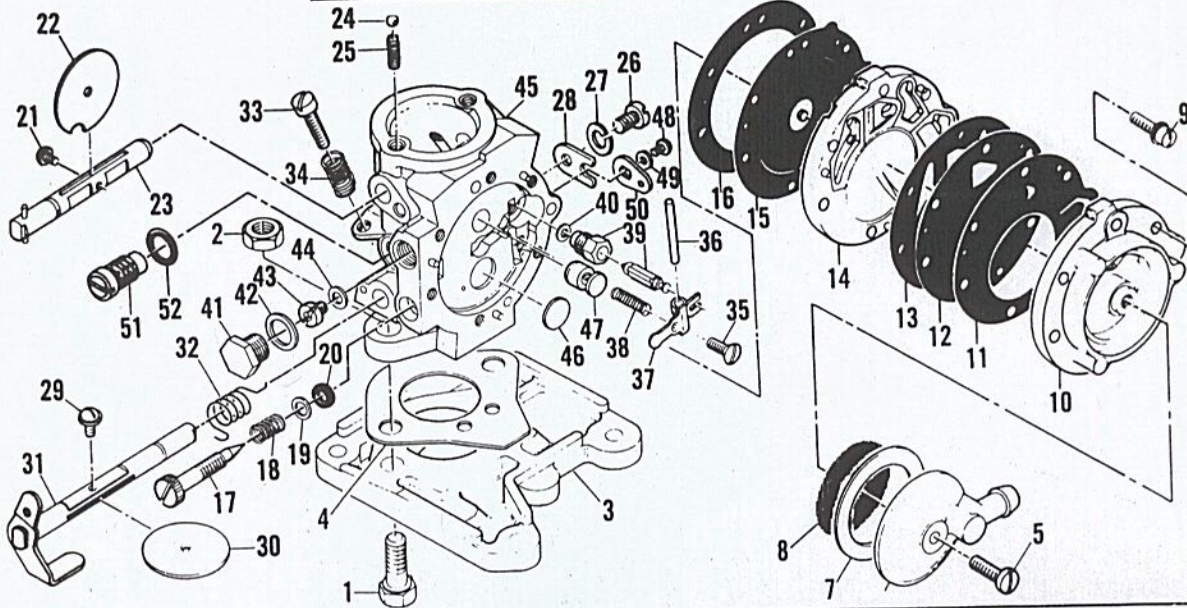
* Indicates parts contained in Repair Parts Kit #84043.

Tillotson HL 288A P/N 85484

Venturi Dia. 0.875 in.
Throttle Bore Dia. 1.000 in.
Has a fixed high speed mixture jet
and a built-in high speed governor.

USED ON

Model	S/N Prefix
940	12-
WELDER	16-



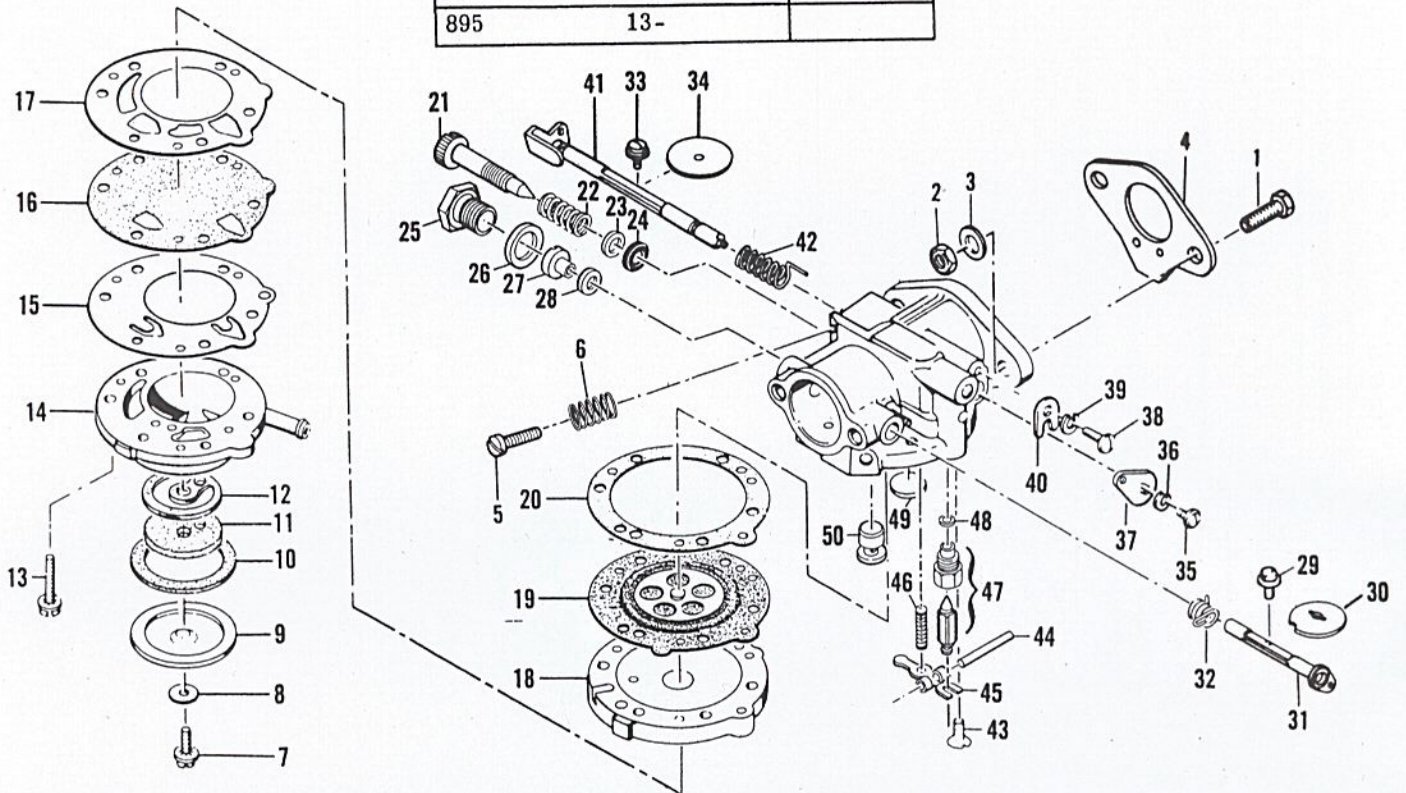
Item No.	Part Number	Description	Units Per Assy
1	102157	Screw - Fil hd 1/4-20 x 5/8	2
2	101143	Nut - Hx 1/4-20	2
3	69853	Adapter - Carburetor	1
4	65586	Gasket - Carburetor	1
5	85484	Carburetor Assy	1
5	51701	Screw - Fuel strainer cover	1
6	51599	Cover - Fuel strainer	1
7	48762	Gasket - Fuel strainer cover	1
8	85995	Screen - Fuel strainer	1
9	51597	Screw Assy - Fuel pump body	6
10	84031	Body - Fuel pump	1
11	* 84030	Diaphragm - Check valve	1
12	* 84029	Diaphragm - Fuel pump	1
13	65592	Gasket - Fuel pump	1
14	84027	Cover - Diaphragm	1
15	* 66167	Diaphragm - Metering	1
16	65591	Gasket - Diaphragm	1
17	* 52935	Needle - Idle mix	1
18	* 52936	Spring	1
19	52937	Washer	1
20	52938	Packing - Needle	1
21	51721	Screw Assy	1
22	84026	Shutter - Choke	1
23	84025	Shaft Assy - Choke	1
24	100071	Ball - Choke friction	1
25	52930	Spring - Choke friction	1
26	51717	Screw	1
27	100252	Lockwasher	1
28	51716	Clip - Throttle shaft	1

Item No.	Part Number	Description	Units Per Assy
29	* 51721	Screw Assy	1
30	84041	Shutter - Throttle	1
31	84039	Shaft Assy - Throttle	1
32	84040	Spring - Return	1
33	* 52940	Screw - Idle speed adj.	1
34	* 51705	Spring	1
35	* 66644	Screw	1
36	* 84033	Pin - Inlet valve	1
37	* 84032	Lever - Inlet valve	1
38	* 66404	Spring - Inlet lever	1
39	* 84034	Needle and Seat - Inlet	1
40	51708	Gasket - Inlet valve	1
41	84037	Plug - Main fuel jet	1
42	52941	Gasket	1
43	* 84035	Jet - Main fuel (0.041 orifice)	1
	84057	Jet - Main fuel (0.043 orifice)	Alt
	84058	Jet - Main fuel (0.039 orifice)	Alt
	84059	Jet - Main fuel (0.037 orifice)	Alt
44	84036	Gasket - Main fuel jet	1
45	84024	Body - Carburetor	1
46	* 51583	Plug - Welch	1
47	85993	Nozzle - Check valve	1
48	51719	Screw - Throttle lever	1
49	100261	Lockwasher	1
50	51718	Lever - Throttle	1
51	85994	Governor Assembly	1
52	83548	Gasket - Governor Assy	1
	85992	Gasket & Packing Set	
	85991	Repair Parts Kit	

*Indicates parts contained in Repair Parts Kit # 85991

USED ON

Model	S/N Prefix	S/N's
895	13-	



Item No.	Part Number	Description	Units Per Assy
1	100882	Screw - Hex hd 1/4-20 x 3/4	2
2	103242	Nut - Hex 1/4-20	2
3	100005	Washer - 1/4	2
4	86286	Gasket - Carburetor	1
	86285	Carburetor Assy	1
5	52940	Screw - Idle speed regulating	1
6	51705	Spring - Idle speed screw	1
7	50797	Screw - Fuel strainer cover	1
8	50798	Gasket - Cover screw	1
9	50796	Cover - Fuel strainer	1
10	51704	Gasket - Cover	1
11	53717	Filter - Fuel	1
12	53565	Gasket - Filter	1
13	87230	Screw Assy - Fil hd 6-32 x 3/4	6
14	87224	Body - Fuel pump	1
15	84030	Diaphragm - Check valve	1
16	84029	Diaphragm - Fuel pump	1
17	65592	Gasket - Fuel pump	1
18	87225	Cover - Diaphragm	1
19	66167	Diaphragm - Metering	1
20	65591	Gasket - Diaphragm	1
21	87223	Needle - Idle fuel mixture	1
22	52936	Spring - Needle	1
23	52937	Washer - Needle	1
24	52938	Packing - Needle	1
25	84037	Plug - Main fuel jet	1
26	52941	Gasket - Plug	1

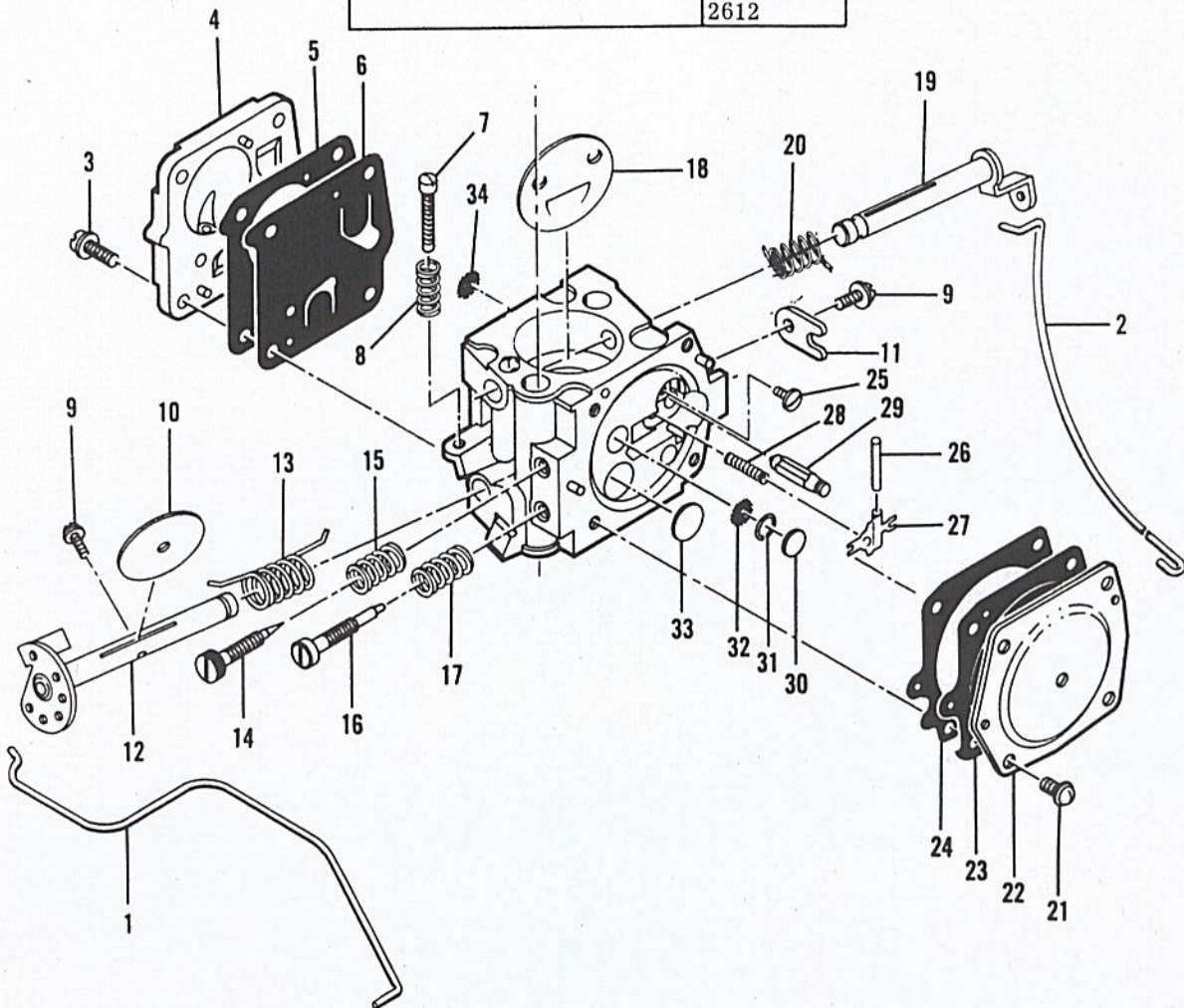
Item No.	Part Number	Description	Units Per Assy
27	84058	Jet - Main fuel (0.039 orifice)	1
	84059	Jet - Main fuel (0.037 orifice)	Alt.
	84035	Jet - Main fuel (0.041 orifice)	Alt.
	84057	Jet - Main fuel (0.043 orifice)	Alt.
28	84036	Gasket - Jet	1
29	51721	Screw - Choke shutter (SEMS)	1
30	84026	Shutter - Choke	1
31	87227	Shaft Assy - Choke	1
32	87226	Spring - Choke return	1
33	51721	Screw - Throttle shutter	1
34	84041	Shutter - Throttle	1
35	51719	Screw - Throttle lever	1
36	100261	Lockwasher - #4	1
37	87231	Lever - Throttle shaft	1
38	51717	Screw - Throttle shaft clip	1
39	100252	Lockwasher - #8	1
40	51716	Clip - Throttle shaft	1
41	87228	Shaft Assy - Throttle	1
42	87232	Spring - Throttle return	1
43	66644	Screw - Lever pin	1
44	84033	Pin - Lever	1
45	84032	Lever - Inlet valve	1
46	66404	Spring - Lever	1
47	84034	Needle & Seat - Inlet	1
48	51708	Gasket - Inlet	1
49	51583	Plug - Welch 3/8 in.	1
50	87229	Valve Assy - Check	1

Tillotson HS 43 P/N 66697

Venturi Dia. 0.625 in.
Throttle Bore Dia. 0.750 in.

USED ON

Model	S/N Prefix	S/N's
MAC 1-10	C10-	1612 to 2612
Super 10-10A	C12-	



Item No.	Part Number	Description	Units Per Assy
1	68170	Rod - Throttle	1
2	66679	Rod - Choke	1
	66697	Carburetor Assy	1
3	52933	. Screw - Fil hd 6-32 x 3/8 (SEMS)	4
4	66628	. Cover - Pump	1
5	66629	. Gasket - Cover	1
6	66630	. Diaphragm - Pump	1
7	66625	. Screw - Idle speed	1
8	66626	. Spring - Idle speed screw	1
9	48780	. Screw - Rd hd 4-40 x 3/16	2
10	66642	. Shutter - Throttle shaft	1
11	66646	. Clip - Throttle shaft	1
12	66643	. Shaft Assy - Throttle	1
13	67136	. Spring - Throttle shaft	1
14	67134	. Needle - Main adjustment	1
15	52936	. Spring - Needle	1
16	67132	. Needle - Idle adjustment	1
17	67133	. Spring - Needle	1

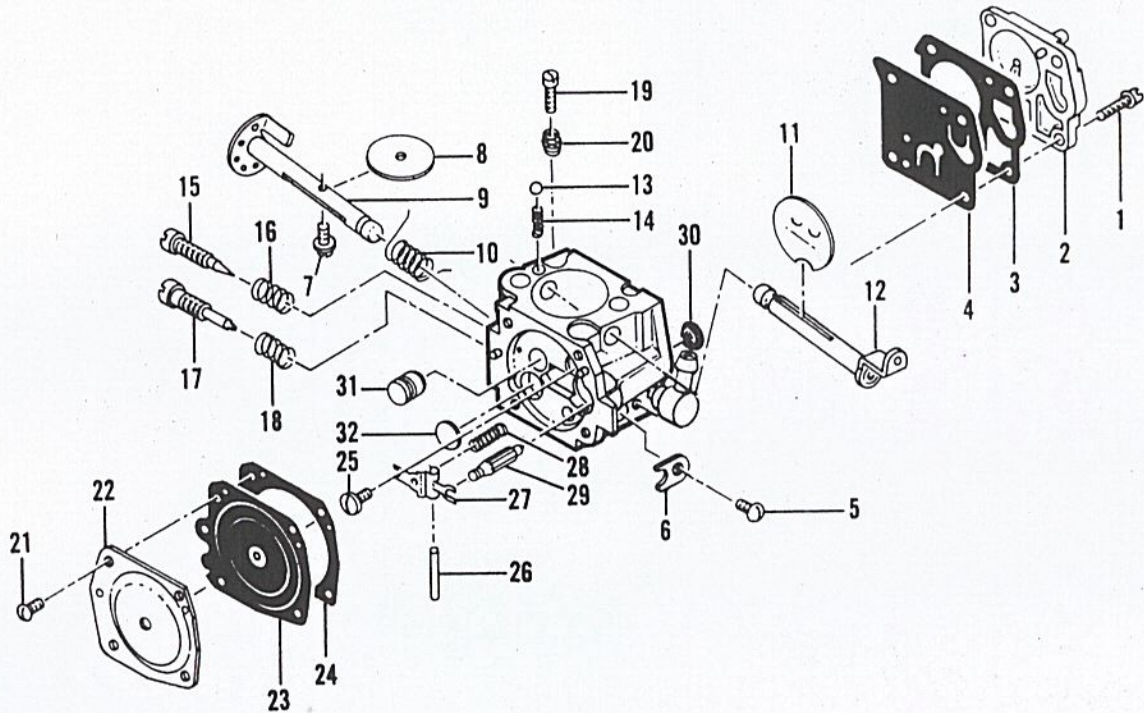
Item No.	Part Number	Description	Units Per Assy
18	65856	. Shutter - Choke	1
19	66640	. Shaft Assy - Choke	1
20	65857	. Spring - Choke shaft	1
21	51721	. Screw - Rd hd 4-40 x 1/4 (SEMS)	4
22	66631	. Cover - Diaphragm	1
23	66632	. Diaphragm - Carburetor	1
24	66633	. Gasket - Diaphragm	1
25	66644	. Screw - 4-40 x 5/16	1
26	66636	. Pin - Inlet lever	1
27	66638	. Lever - Inlet	1
28	51711	. Spring - Lever	1
29	66637	. Needle - Inlet	1
30	66621	. Plug - Welch 7/32	1
31	57652	. Ring - Retaining	1
32	66620	. Screen	1
33	66622	. Plug - Welch 11/32	1
34	66623	. Screen - Inlet	1

Tillotson HS 70A P/N 69373
 Replaced by P/N 83550

Venturi Dia. 0.687 in.
 Throttle Bore Dia. 0.812 in.
 Has a pulse fitting on the fuel pump cover.

USED ON

Model	S/N Prefix	S/N's
CP 125	10-, 11-	



Item No.	Part Number	Description	Units Per Assy
	69373	Carburetor Assy	1
1	52933	. Screw - Pump cover	4
2	83731	. Cover - Pump	1
3	66629	. Gasket - Cover	1
4	*66630	. Diaphragm - Fuel pump	1
5	48780	. Screw - Clip	1
6	66646	. Clip - Shaft	1
7	*48780	. Screw - Plate	1
8	51720	. Plate - Throttle	1
9	83728	. Shaft Assy - Throttle	1
10	*67136	. Spring - Throttle shaft	1
11	66639	. Plate - Choke	1
12	83717	. Shaft Assy - Choke	1
13	100071	. Ball - Choke friction	1
14	52930	. Spring - Choke friction	1
15	*67134	. Needle - High speed	1
16	*52936	. Spring - High speed needle	1
17	*67132	. Needle - Idle	1

Item No.	Part Number	Description	Units Per Assy
18	*67133	. Spring - Idle needle	1
19	*66625	. Screw - Idle speed	1
20	*66626	. Spring - Idle speed screw	1
21	51721	. Screw - Diaphragm cover	4
22	66631	. Cover - Diaphragm	1
23	*66632	. Diaphragm - Metering	1
24	66633	. Gasket - Diaphragm	1
25	*66644	. Screw - Lever pin	1
26	*66636	. Pin - Inlet lever	1
27	*66638	. Lever - Inlet	1
28	*66404	. Spring - Lever	1
29	*66637	. Valve - Needle	1
30	*66623	. Screen - Inlet	1
31	83729	. Check valve - Nozzle	1
32	*66622	. Plug - Welch	1
	*83727	Gasket Set	
	83726	Repair Kit	

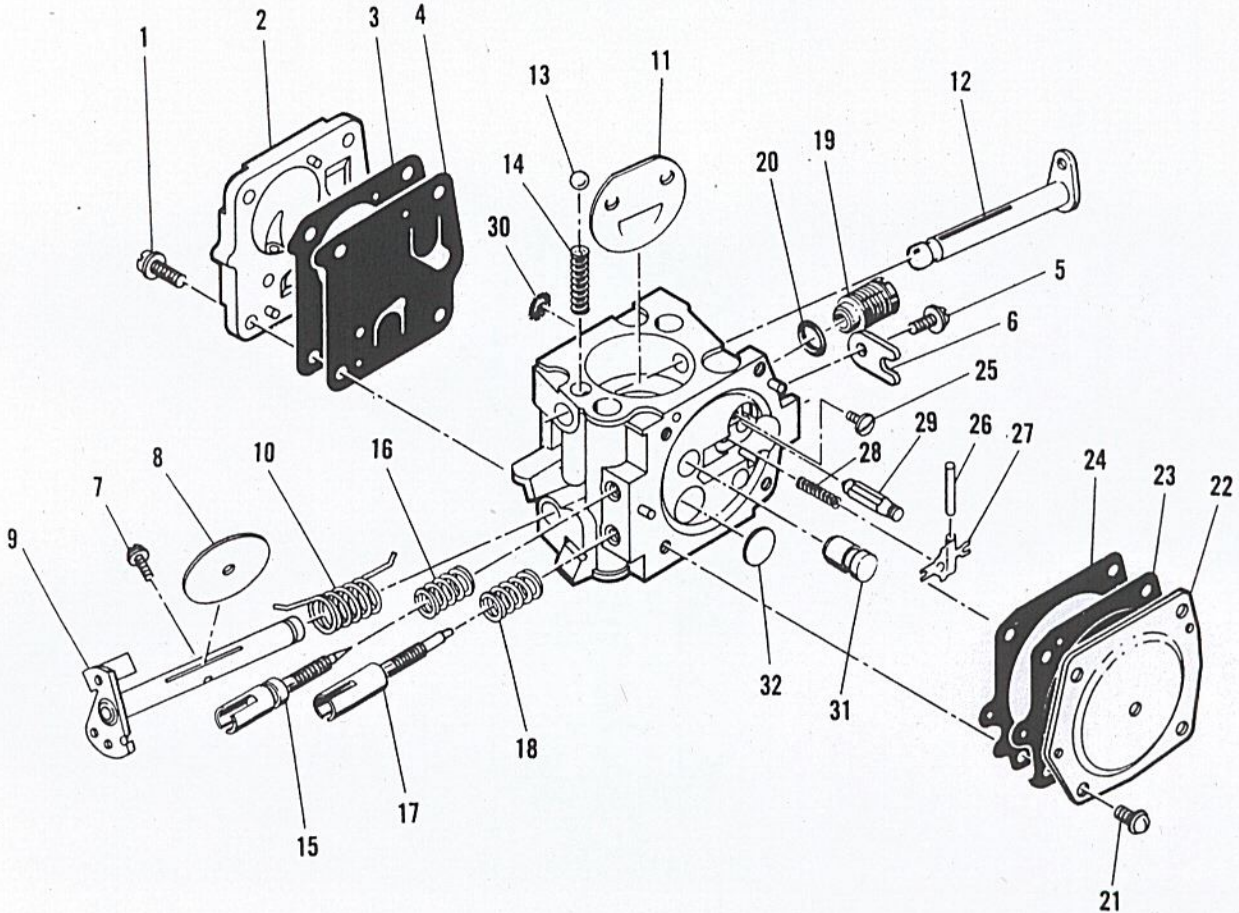
*Indicates parts included in Repair Kit, P/N 83726

Tillotson HS 71A P/N 69948

Venturi Dia. 0.687 in.
Throttle Bore Dia. 0.812 in.
Has a high speed governor, nozzle
check valve and external adjustment
needles.

USED ON

Model	S/N Prefix	S/N's
LG 2	12-	10001 to 10451
Super LG 6A G 70	12- 13-, 14-	



Item No.	Part Number	Description	Units Per Assy
	69948	Carburetor Assy	1
1	52933	. Screw - Pump cover	4
2	66628	. Cover - Pump	1
3	66629	. Gasket - Cover	1
4	66630	. Diaphragm - Fuel pump	1
5	48780	. Screw - Clip retainer	1
6	66646	. Clip - Throttle shaft	1
7	48780	. Screw - Plate	1
8	51720	. Plate - Throttle	1
9	83546	. Shaft Assy - Throttle	1
10	67136	. Spring - Throttle return	1
11	65856	. Plate - Choke	1
12	83725	. Shaft Assy - Choke	1
13	100071	. Ball - Choke friction	1
14	52930	. Spring - Choke friction	1
15	83477	. Needle - High speed	1
16	52936	. Spring - High speed needle	1

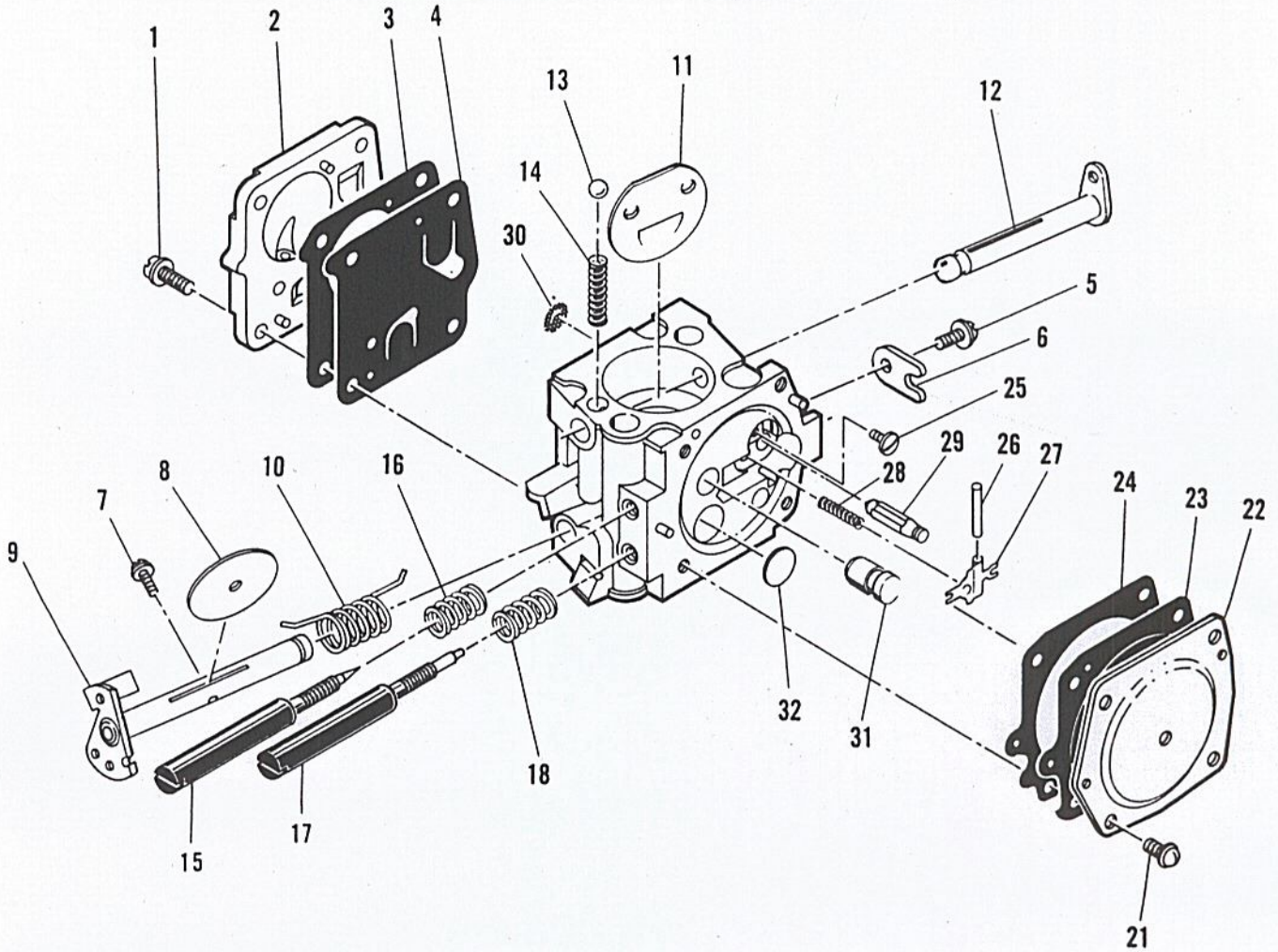
Item No.	Part Number	Description	Units Per Assy
17	83547	. Needle - Idle	1
18	67133	. Spring - Idle needle	1
19	83549	. Valve Assy - Governor	1
20	83548	. Gasket - Valve	1
21	51721	. Screw - Diaphragm cover	4
22	83724	. Cover - Diaphragm	1
23	66632	. Diaphragm - Metering	1
24	66633	. Gasket - Diaphragm	1
25	83479	. Screw - Lever pin	1
26	66636	. Pin - Lever	1
27	66638	. Lever - Metering	1
28	66404	. Spring - Lever	1
29	66637	. Valve - Needle	1
30	66623	. Screen - Fuel inlet	1
31	83729	. Check Valve - Nozzle	1
32	66622	. Plug - Welch	1

Tillotson HS 111A P/N 85916

Venturi Dia. 0.687 in.
Throttle Bore Dia. 0.812 in.

USED ON

Model		S/N Prefix
SP 80	600435 S	13-, 14-
SP 60	600037 S	11-
SP 70	600441 S	13-



Item No.	Part Number	Description	Units Per Assy
	85916	Carburetor Assy	1
1	52933	. Screw - Pump cover	4
2	66628	. Cover - Pump	1
3	66629	. Gasket - Cover	1
4	66630	. Diaphragm - Fuel pump	1
5	48780	. Screw - Clip retainer	1
6	66646	. Clip - Throttle shaft	1
7	48780	. Screw - Plate	1
8	51720	. Plate - Throttle	1
9	83546	. Shaft Assy - Throttle	1
10	67136	. Spring - Throttle return	1
11	65856	. Plate - Choke	1
12	83725	. Shaft Assy - Choke	1
13	100071	. Ball - Choke friction	1
14	52930	. Spring - Choke friction	1
15	- 86169	. Needle - High speed	1

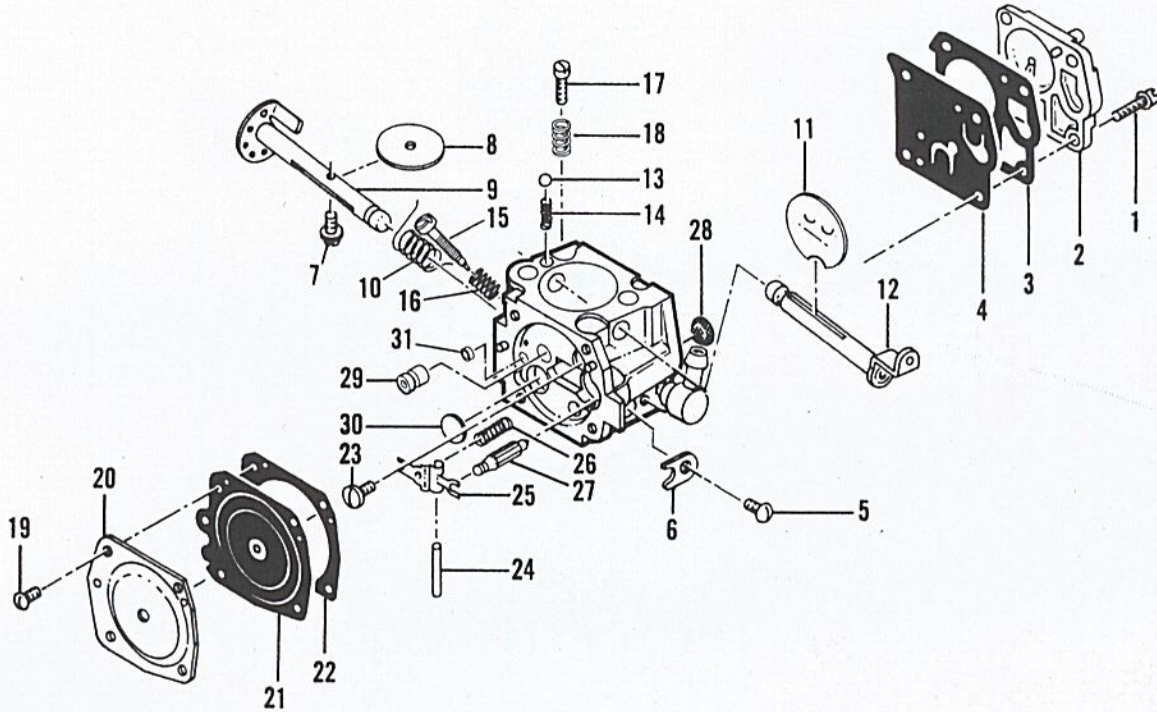
Item No.	Part Number	Description	Units Per Assy
16	52936	. Spring - High speed needle	1
17	86170	. Needle - Idle	1
18	67133	. Spring - Idle needle	1
19	51721	. Screw - Diaphragm cover	4
20	83724	. Cover - Diaphragm	1
21	66632	. Diaphragm - Metering	1
22	66633	. Gasket - Diaphragm	1
23	83479	. Screw - Lever pin	1
24	66636	. Pin - Lever	1
25	66638	. Lever - Metering	1
26	66404	. Spring - Lever	1
27	66637	. Valve - Needle	1
28	66623	. Screen - Fuel inlet	1
29	83729	. Check Valve - Nozzle	1
30	66622	. Plug - Welch	1

Tillotson HS 124A P/N 87288

Venturi Dia. 0.687 in.
Throttle Bore Dia. 0.812 in.

USED ON

Model	S/N Prefix
SP 125 600076 A, B, D, J	12-



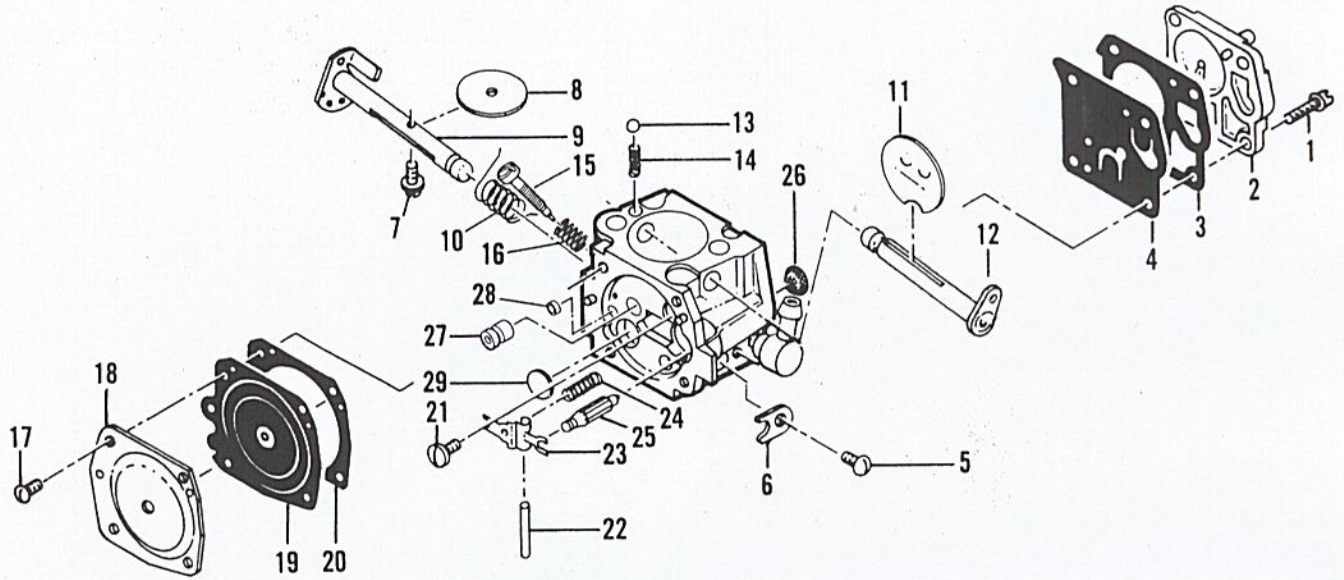
Item No.	Part Number	Description	Units Per Assy
	87288	Carburetor Assy	1
1	52933	. Screw - Pump cover	4
2	83731	. Cover - Pump	1
3	66629	. Gasket - Pump cover	1
4	*66630	. Diaphragm - Fuel pump	1
5	48780	. Screw - Throttle shaft clip	1
6	66646	. Clip - Throttle shaft	1
7	*48780	. Screw - Throttle plate	1
8	51720	. Plate - Throttle	1
9	88773	. Shaft Assy - Throttle	1
10	*67136	. Spring - Throttle shaft	1
11	66639	. Plate - Choke	1
12	83717	. Shaft Assy - Choke	1
13	100071	. Ball - Choke friction	1
14	48759	. Spring - Choke friction	1
15	88768	. Needle - Idle mixture	1
16	*66626	. Spring - Idle mixture needle	1
17	*66625	. Screw - Idle speed	1
18	*66626	. Spring - Idle speed screw	1

Item No.	Part Number	Description	Units Per Assy
19	61725	. Screw - Diaphragm cover	4
20	66631	. Cover - Diaphragm	1
21	*66632	. Diaphragm - Metering	1
22	66633	. Gasket - Diaphragm	1
23	*66644	. Screw - Inlet lever pin	1
24	*66636	. Pin - Inlet lever	1
25	*66638	. Lever - Inlet	1
26	*66404	. Spring - Inlet lever	1
27	66637	. Needle - Inlet	1
28	*66623	. Screen - Fuel inlet	1
29	88769	. Jet - High speed fuel (.030")	1
	88771	Jet - H/S fuel (.029")	Alt.
	88772	Jet - H/S fuel (.028")	Alt.
	88770	Jet - H/S fuel (.031")	Alt.
30	52928	. Plug - Cup	1
31	*66622	. Plug - Welch	1
	*88774	Gasket Set	
	88775	Repair Kit	
	88776	Gasket & Diaphragm Set	

*Indicates parts included in Repair Kit, P/N 88775.

USED ON

Model	S/N Prefix
G70	600410 A
	600410 B
	600410 D, E



Item No.	Part Number	Description	Units Per Assy
	87809	Carburetor Assy	1
1	52933	. Screw - Pump cover	4
2	66628	. Cover - Pump	1
3	66629	. Gasket - Pump cover	1
4	*66630	. Diaphragm - Fuel pump	1
5	48780	. Screw - Throttle shaft clip	1
6	66646	. Clip - Throttle shaft	1
7	*48780	. Screw - Throttle plate	1
8	51720	. Plate - Throttle	1
9	87922	. Shaft Assy - Throttle	1
10	*67136	. Spring - Throttle shaft	1
11	65856	. Plate - Choke	1
12	83725	. Shaft Assy - Choke	1
13	100071	. Ball - Choke friction	1
14	48759	. Spring - Choke friction	1
15	88768	. Needle - Idle mixture	1
16	*66626	. Spring - Idle mixture needle	1
17	61725	. Screw - Diaphragm cover	4

Item No.	Part Number	Description	Units Per Assy
18	83724	. Cover - Diaphragm	1
19	*66632	. Diaphragm - Metering	1
20	66633	. Gasket - Diaphragm	1
21	*66644	. Screw - Inlet lever pin	1
22	*66636	. Pin - Inlet lever	1
23	*66638	. Lever - Inlet	1
24	*66404	. Spring - Inlet lever	1
25	66637	. Needle - Inlet	1
26	*66623	. Screen - Fuel inlet	1
27	88772	. Jet - High speed fuel (.028")	1
	88771	Jet - H/S fuel (.029")	Alt.
	88780	Jet - H/S fuel (.026")	Alt.
	88781	Jet - H/S fuel (.027")	Alt.
28	52928	. Plug - Cup	1
29	*66622	. Plug - Welch	1
	*88774	Gasket Set	
	88775	Repair Kit	
	88776	Gasket & Diaphragm Set	

*Indicates parts included in Repair Kit, P/N 88775.

McCulloch MAC 1 P/N 84050

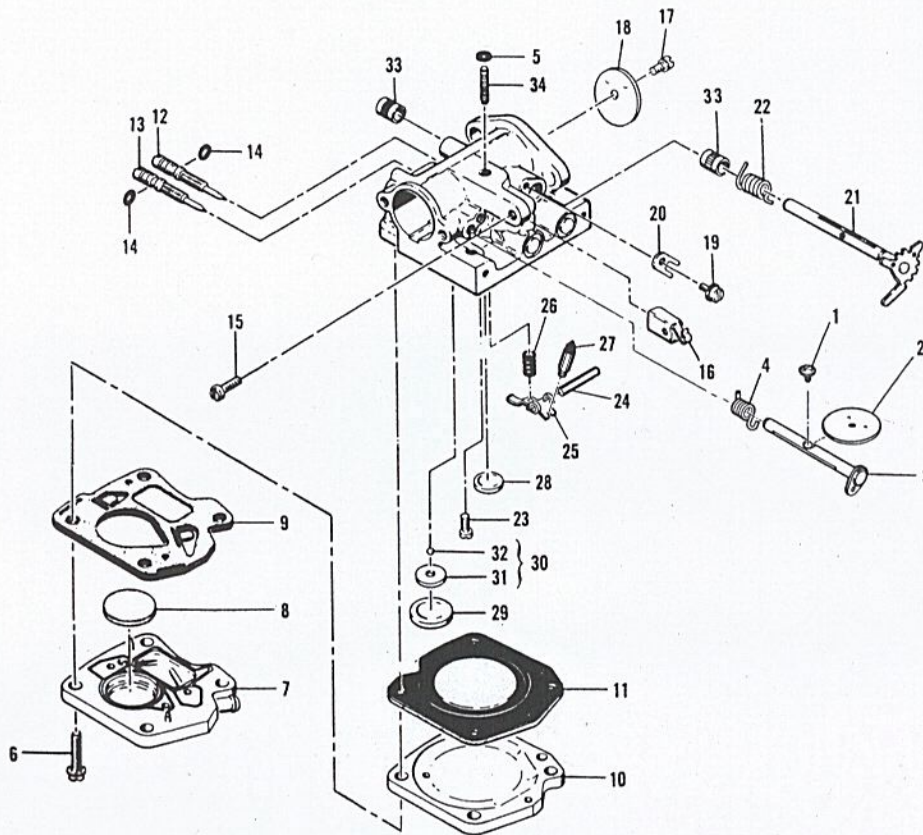
Replaced by MAC 9 P/N 87293

Venturi Dia. 0.687 in.

Throttle Bore Dia. 0.812 in.

Has an idle governor and a choke.

Model	S/N Prefix	S/N's
Super 250	12-	12602 & Up
Super 550	13-	



Item No.	Part Number	Description	Units Per Assy
	84050	Carburetor Assy	
1	104814	. Screw - Pan hd 4-40 x 1/4 (SEMS)	1
2	55085	. Plate - Choke	1
3	84073	. Shaft Assy - Choke	1
4	55089	. Spring - Choke return	1
5	100283	. Grommet	1
6	104520	. Screw - Pan hd 10-24 x 7/8 (SEMS)	4
7	69169	. Body - Fuel pump	1
8	48911	. Filter - Fuel	1
9	57274B	. Diaphragm Assy - Fuel pump	1
10	48901	. Plate - Diaphragm	1
11	55067C	. Diaphragm - Carburetor	1
12	53948	. Needle - Idle adjustment	1
13	53311	. Needle - Main adjustment	1
14	104001	. "O" Ring	2
15	62910	. Screw - Fil hd long locking	1
16	61108	. Guide - Throttle rod	1
17	104814	. Screw - Pan hd 4-40 x 1/4 (SEMS)	1

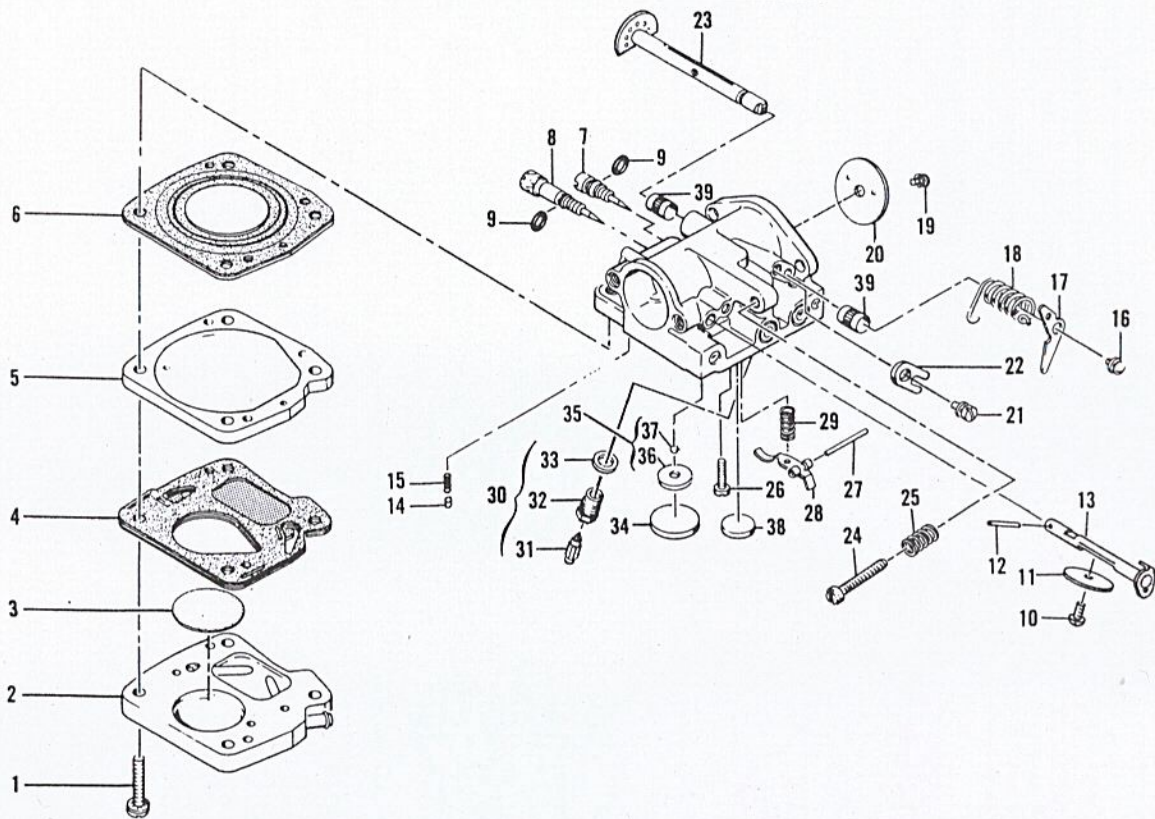
Item No.	Part Number	Description	Units Per Assy
18	61360	. Plate - Throttle	1
19	110055	. Screw - Fil hd 8-32 x 3/8 (SEMS)	1
20	55082	. Clip - Throttle shaft	1
21	61854A	. Shaft Assy - Throttle	1
22	61858	. Spring - Idle governor	1
23	104164	. Screw - Pan hd 4-40 x 1/4 s/t	1
24	104305	. Pin - Inlet lever	1
25	84317	. Lever - Inlet control	1
26	57172	. Spring - Inlet lever	1
27	83753	. Needle - Inlet valve	1
28	110179	. Plug - Expansion 1/2 in.	1
29	104407	. Plug - Expansion 1 in.	1
30	61155	. Set - Ball & seat	1
31	61152	. . . Seat - Ball	1
32	61151	. . . Ball - Nylon 3/32 in.	1
33	55062A	. Bushing - Body	2
34	48611	. Stud - Air cleaner cover	1

McCulloch MAC 3 P/N 68795

Venturi Dia. 0.687 in.
Throttle Bore Dia. 0.812 in.
Has a detent type choke.

USED ON

Model	S/N Prefix	S/N's
MC 49C	13-	



Item No.	Part Number	Description	Units Per Assy
	68795	Carburetor Assy	1
1	104520	. Screw - Pan hd 10-24 x 7/8 (Sems)	4
2	69169	. Body - Fuel pump	1
3	48911	. Filter - Fuel pump	1
4	57274B	. Diaphragm - Fuel pump	1
5	48901	. Plate - Carburetor diaphragm	1
6	55067C	. Diaphragm	1
7	55090	. Needle - Idle adjusting	1
8	48810	. Needle - Main adjusting	1
9	104001	. "O" Ring	2
10	104814	. Screw - Pan hd 4-40 x 1/4 (Sems)	1
11	55085	. Plate - Choke	1
12	105015	. Pin - Groove	1
13	68891	. Shaft Assy - Choke	1
14	52929	. Pin - Choke friction	1
15	52930	. Spring - Choke friction	1
16	104814	. Screw - Pan hd 4-40 x 1/4 (Sems)	1
17	50701A	. Arm - Throttle shaft	1
18	48820	. Spring - Throttle return	1
19	104814	. Screw - Pan hd 4-40 x 1/4 (Sems)	1

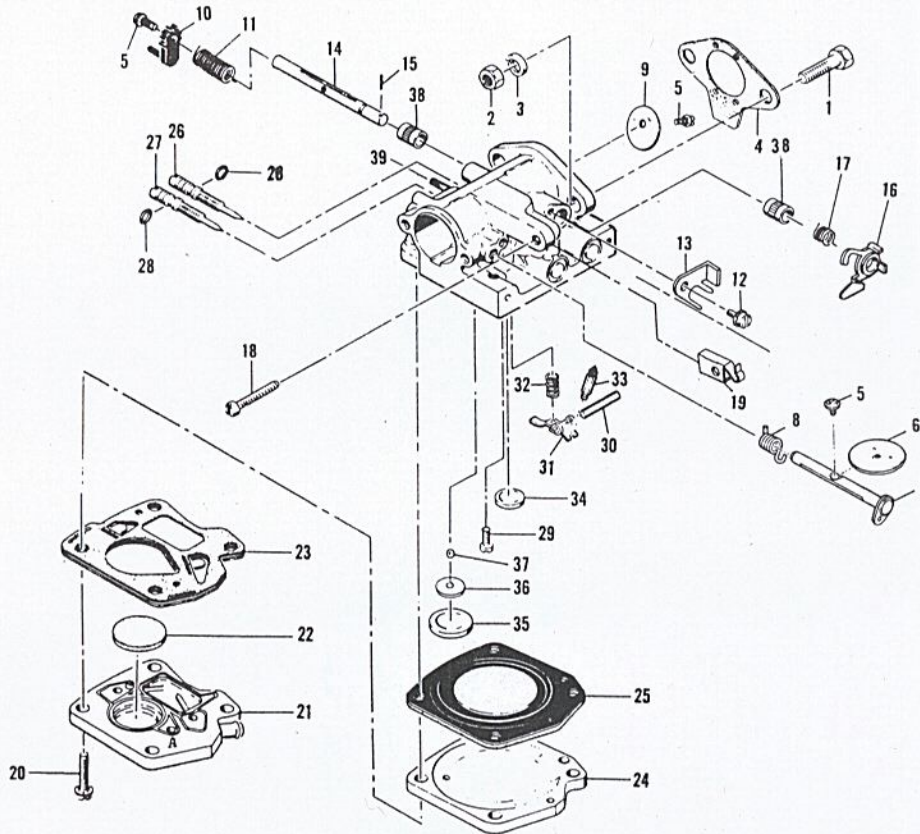
Item No.	Part Number	Description	Units Per Assy
20	55085	. Plate - Throttle	1
21	110055	. Screw - Fil hd 5-32 x 3/8 (Sems)	1
22	55082	. Clip - Throttle shaft	1
23	48818A	. Shaft Assy - Throttle	1
24	55397	. Screw - Idle	1
25	51705	. Spring - Idle screw	1
26	104164	. Screw - Pan hd 4-40 x 1/4	1
27	104305	. Pin - Inlet lever	1
28	55688	. Lever - Inlet control	1
29	57172	. Spring - Inlet lever	1
30	60163A	. Set - Body and valve	1
31	63038	. . Valve - Needle	1
32	58969	. . Body - Valve	1
33	55689	. . Washer - Valve	1
34	104407	. Plug - Expansion 1 inch	1
35	61155	. Set - Ball & Seat	1
36	61152	. . Seat - Ball valve	1
37	61151	. . Ball - Valve	1
38	110179	. Plug - Expansion 1/2 inch	1
39	55062A	. Bushing - Carburetor body	2

McCulloch MAC 6 P/N 84260
 Replaced by MAC 10 P/N 87294

Venturi Dia. 0.687 in.
 Throttle Bore Dia. 0.812 in.
 Has both a high speed and idle governor
 and has a choke. This carburetor
 included in Kit 84367.

USED ON

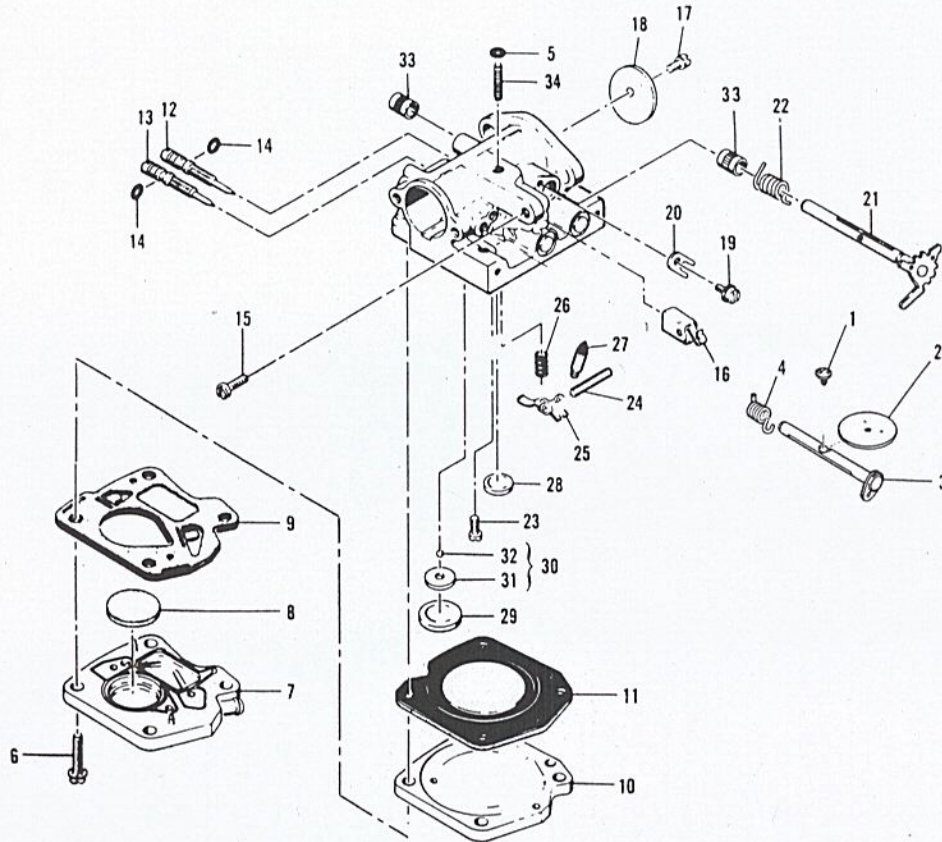
Model	S/N Prefix	S/N's
895	12-	



Item No.	Part Number	Description	Units Per Assy
1	100882	Screw - Hex hd 1/4-20 x 3/4	2
2	103242	Nut - Hex 1/4-20	2
3	100005	Washer - 1/4	2
4	65586	Gasket - Carburetor	1
	84260	Carburetor Assy	1
5	104814	. Screw - Pan hd 4-40 x 1/4	3
6	55085	. Plate - Choke	1
7	84073	. Shaft Assy - Choke	1
8	55089	. Spring - Choke shaft	1
9	61360	. Plate - Throttle	1
10	61901	. Arm - Throttle shaft	1
11	61895	. Spring - Idle governor	1
12	110055	. Screw - Fil hd 8-32 x 3/8	1
13	61891	. Clip - Shaft	1
14	61920	. Shaft and Pin Assy	1
15	110301	. Pin - Groove	1
16	61894A	. Cam Assy	1
17	61906	. Spring - Cam	1
18	62910	. Screw - Idle speed	1
19	61108	. Guide - Throttle rod	1
20	104520	. Screw - Pan hd 10-24 x 7/8	4

Item No.	Part Number	Description	Units Per Assy
21	69169	. Body - Fuel pump	1
22	48911	. Filter - Fuel	1
23	57274B	. Diaphragm Assy - Pump	1
24	48901	. Plate - Diaphragm	1
25	55067C	. Diaphragm - Carburetor	1
26	53948	. Needle - Idle adjustment	1
27	53311	. Needle - Main adjustment	1
28	104001	. "O" Ring	2
29	104164	. Screw - Pan hd 4-40 x 1/4	1
30	104305	. Pin - Lever	1
31	84317	. Lever - Inlet	1
32	57172	. Spring - Lever	1
33	83753	. Needle - Inlet	1
34	110179	. Plug - Expansion 1/2 in.	1
35	104407	. Plug - Expansion 1 in.	1
	61155	. Set - Ball & Seat	1
36	61152 Seat	1
37	61151 Ball	1
38	55062A	. Bushing - Shaft	2
39	47523	. Tube - Collector hose	1

Model	S/N Prefix	S/N's
Super 250	12-	12602 & Up
Super 550	13-	



Item No.	Part Number	Description	Units Per Assy
	87293	Carburetor Assy	
1	104814	. Screw - Pan hd 4-40 x 1/4 (SEMS)	1
2	55085	. Plate - Choke	1
3	84073	. Shaft Assy - Choke	1
4	55089	. Spring - Choke return	1
5	100283	. Grommet	1
6	104520	. Screw - Pan hd 10-24 x 7/8 (SEMS)	4
7	69169	. Body - Fuel pump	1
8	48911	. Filter - Fuel	1
9	57274B	. Diaphragm Assy - Fuel pump	1
10	48901	. Plate - Diaphragm	1
11	55067C	. Diaphragm - Carburetor	1
12	87167	. Needle - Idle adjustment	1
13	53311	. Needle - Main adjustment	1
14	104001	. "O" Ring	2
15	62910	. Screw - Fil hd long locking	1
16	61108	. Guide - Throttle rod	1
17	104814	. Screw - Pan hd 4-40 x 1/4 (SEMS)	1

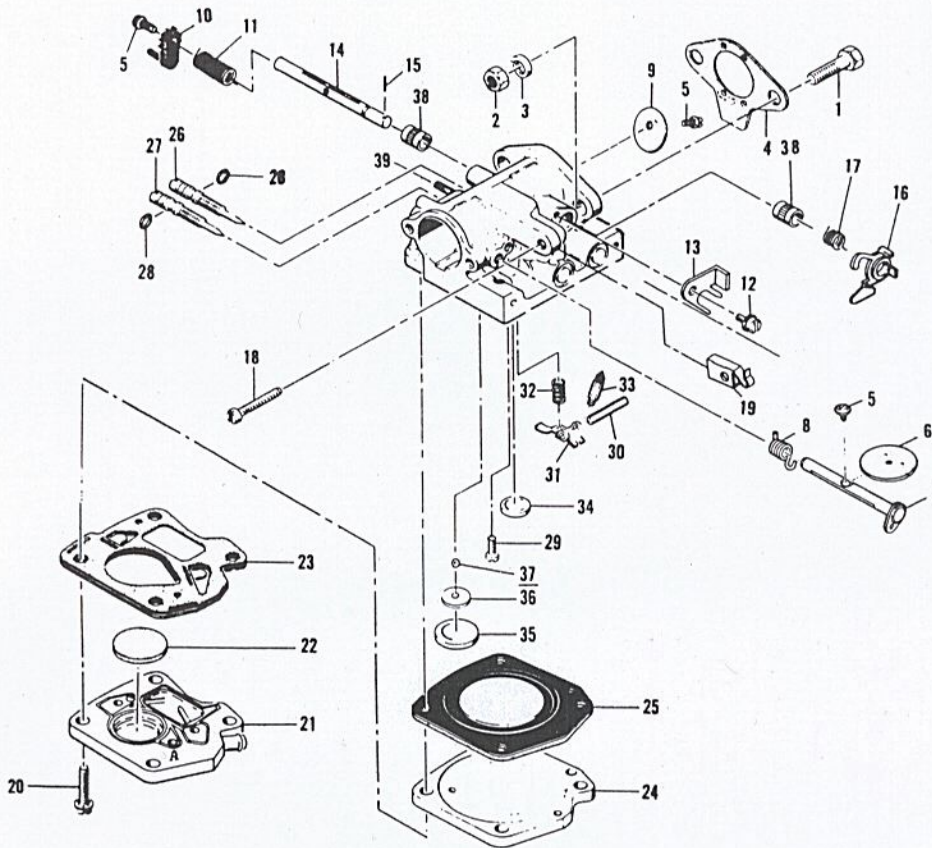
Item No.	Part Number	Description	Units Per Assy
18	61360	. Plate - Throttle	1
19	110055	. Screw - Fil hd 8-32 x 3/8 (SEMS)	1
20	55082	. Clip - Throttle shaft	1
21	61854A	. Shaft Assy - Throttle	1
22	61858	. Spring - Idle governor	1
23	104164	. Screw - Pan hd 4-40 x 1/4 s/t	1
24	104305	. Pin - Inlet lever	1
25	84317	. Lever - Inlet control	1
26	57172	. Spring - Inlet lever	1
27	83753	. Needle - Inlet valve	1
28	110179	. Plug - Expansion 1/2 in.	1
29	104407	. Plug - Expansion 1 in.	1
30	61155	. Set - Ball & seat	1
31	61152	. . . Seat - Ball	1
32	61151	. . . Ball - Nylon 3/32 in.	1
33	55062A	. Bushing - Body	2
34	48611	. Stud - Air cleaner cover	1

McCulloch MAC 10 P/N 87294

Venturi Dia. 0.687 in.
Throttle Bore Dia. 0.812 in.
Has both a high speed and idle governor
and has a choke. This carburetor
included in Kit 84367.

USED ON

Model	S/N Prefix	S/N's
895	12-	

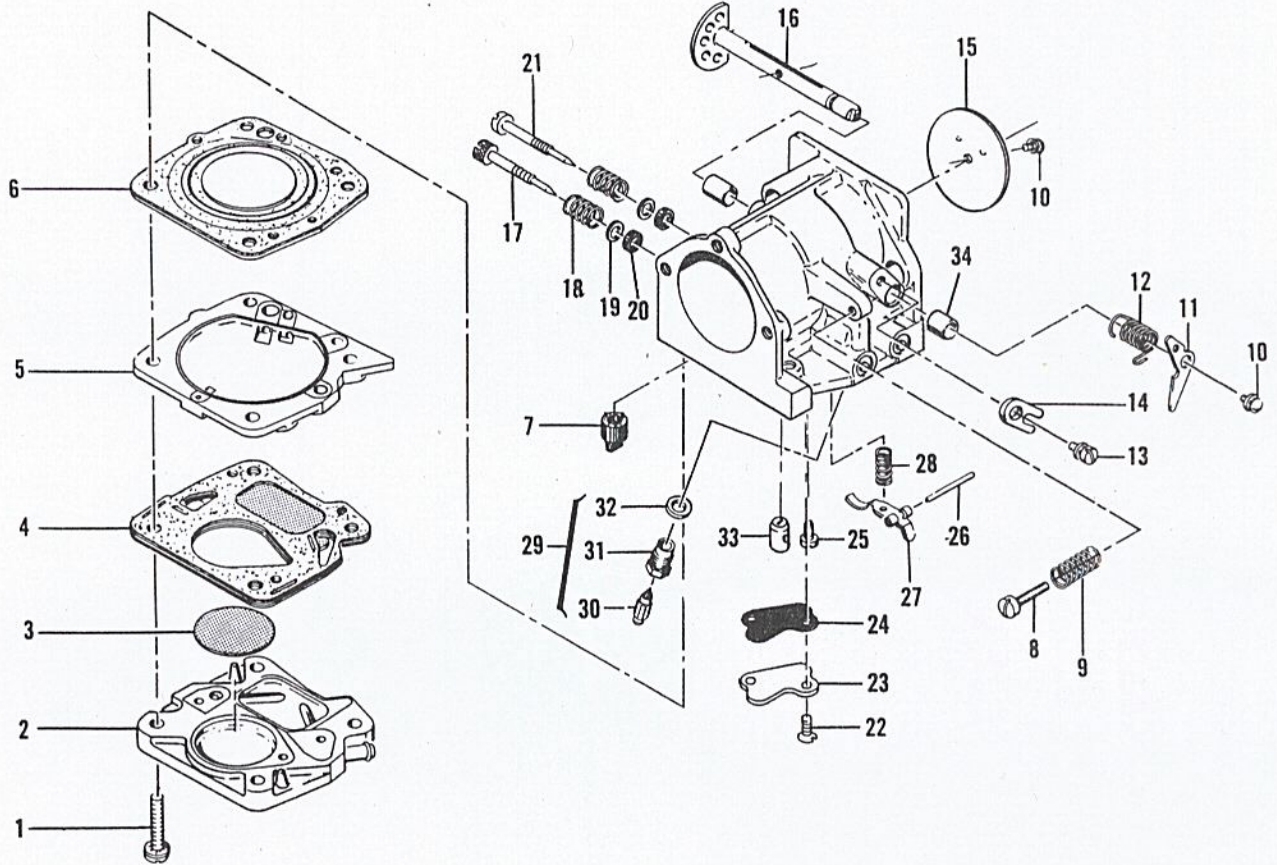


Item No.	Part Number	Description	Units Per Assy
1	100882	Screw - Hex hd 1/4-20 x 3/4	2
2	103242	Nut - Hex 1/4-20	2
3	100005	Washer - 1/4	2
4	65586	Gasket - Carburetor	1
	87294	Carburetor Assy	1
5	104814	. Screw - Pan hd 4-40 x 1/4	3
6	55085	. Plate - Choke	1
7	84073	. Shaft Assy - Choke	1
8	55089	. Spring - Choke shaft	1
9	61360	. Plate - Throttle	1
10	61901	. Arm - Throttle shaft	1
11	61895	. Spring - Idle governor	1
12	110055	. Screw - Fil hd 8-32 x 3/8	1
13	61891	. Clip - Shaft	1
14	61920	. Shaft and Pin Assy	1
15	110301	. Pin - Groove	1
16	61894A	. Cam Assy	1
17	61906	. Spring - Cam	1
18	62910	. Screw - Idle speed	1
19	61108	. Guide - Throttle rod	1
20	104520	. Screw - Pan hd 10-24 x 7/8	4

Item No.	Part Number	Description	Units Per Assy
21	69169	. Body - Fuel pump	1
22	48911	. Filter - Fuel	1
23	57274B	. Diaphragm Assy - Pump	1
24	48901	. Plate - Diaphragm	1
25	55067C	. Diaphragm - Carburetor	1
26	87167	. Needle - Idle adjustment	1
27	53311	. Needle - Main adjustment	1
28	104001	. "O" Ring	2
29	104164	. Screw - Pan hd 4-40 x 1/4	1
30	104305	. Pin - Lever	1
31	84317	. Lever - Inlet	1
32	57172	. Spring - Lever	1
33	83753	. Needle - Inlet	1
34	110179	. Plug - Expansion 1/2 in.	1
35	104407	. Plug - Expansion 1 in.	1
	61155	. Set - Ball & Seat	1
36	61152 Seat	1
37	61151 Ball	1
38	55062A	. Bushing - Shaft	2
39	47523	. Tube - Collector hose	1

USED ON

Model	S/N Prefix	S/N's
MC 91		
MC 91A	11-	
MC 101	11-	

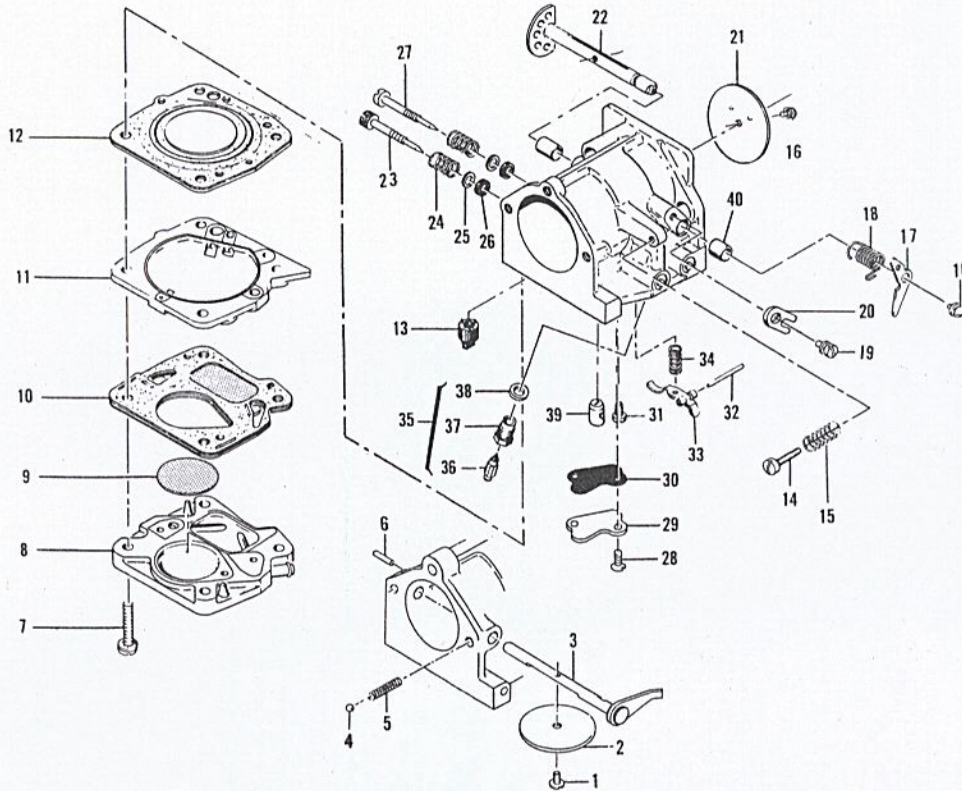


Item No.	Part Number	Description	Units Per Assy
	68886	Carburetor Assy	1
1	104520	. Screw - Pan hd 10-24 x 7/8 (Sems)	4
2	69169	. Body - Fuel pump	1
3	48911	. Filter - Fuel pump	1
4	57274B	. Diaphragm Assy - Fuel pump	1
5	69170	. Plate - Diaphragm	1
6	66092	. Diaphragm - Carburetor	1
7	53766A	. Valve - Check	1
8	55397	. Screw - Idle adjustment	1
9	51705	. Spring - Idle screw	1
10	104814	. Screw - 4-40 x 1/4 (Sems)	2
11	50701A	. Arm - Throttle shaft	1
12	65935	. Spring - Throttle return	1
13	110055	. Screw - 8-32 x 3/8 (Sems)	1
14	55082	. Clip - Shaft	1
15	65934	. Plate - Throttle	1
16	65932	. Shaft Assy - Throttle	1
17	68893	. Needle - Main adjustment	1

Item No.	Part Number	Description	Units Per Assy
18	52936	. Spring - Needle	2
19	52937	. Washer - Packing	2
20	88106	. Packing - Needle	2
21	67264	. Needle - Idle adjustment	1
22	103460	. Screw - Fl hd 4-40 x 1/4	2
23	66097	. Cover - Capillary	1
24	66098	. Gasket - Capillary cover	1
25	104728	. Screw - Bind hd 6-32 x 1/4	1
26	104305	. Pin - Lever	1
27	55688	. Lever - Inlet control	1
28	57172	. Spring - Inlet lever	1
29	60163A	. Set - Needle and valve	1
30	63038	. Needle - Valve	1
31	58969	. Body - Valve	1
32	55689	. Washer - Valve	1
33	68890	. Valve Assy - Check	1
34	55062A	. Bushing - Shaft	2

USED ON

Model	S/N Prefix	S/N's
MC 91C		
MC 101C	13-	

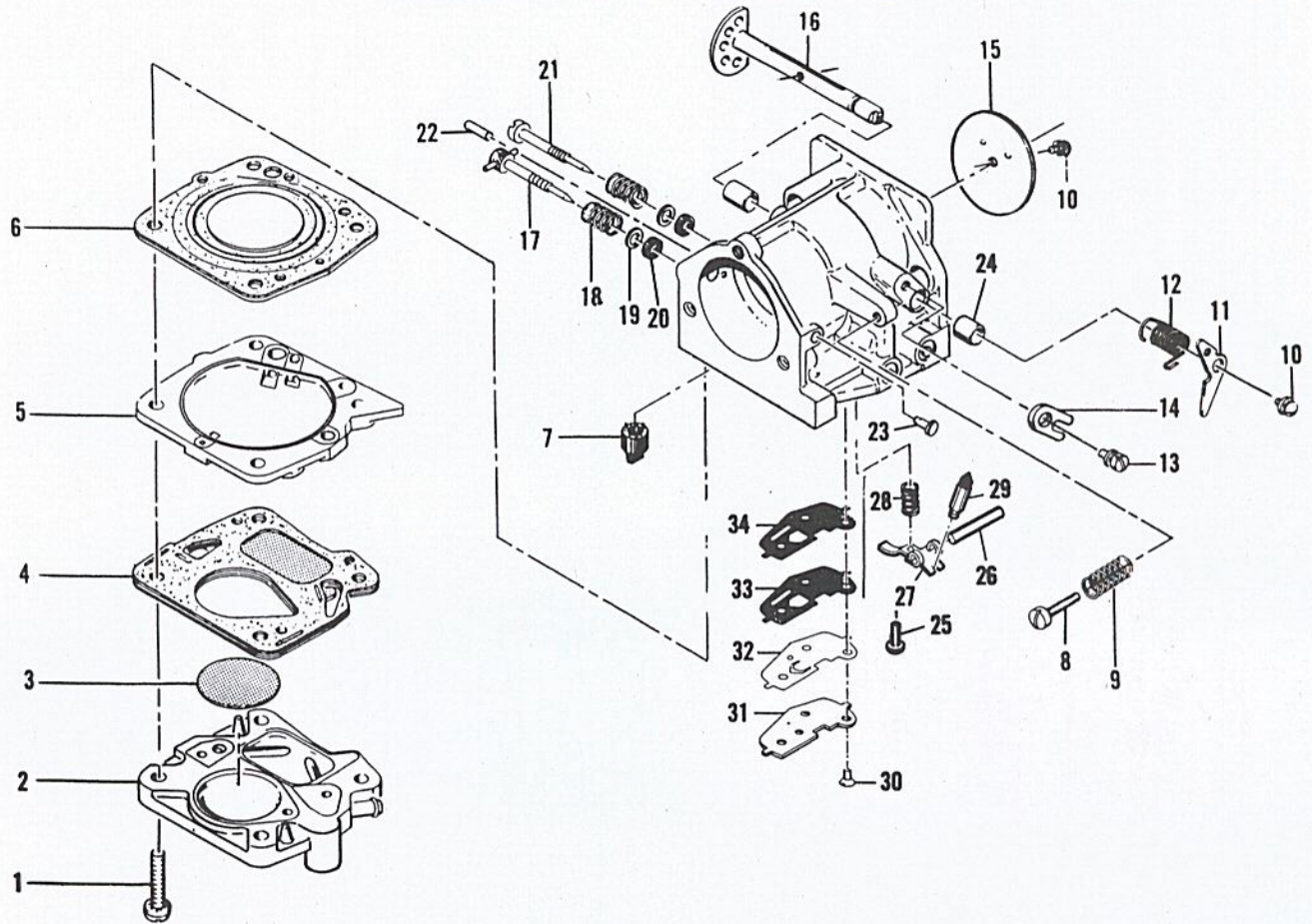


Item No.	Part Number	Description	Units Per Assy
	82894	Carburetor Assy	1
1	104814	. Screw - Pan hd 4-40 x 1/4	1
2	65934	. Plate - Choke	1
3	82893	. Shaft Assy - Choke	1
4	100071	. Ball - Choke detent	1
5	52930	. Spring - Choke detent	1
6	101796	. Pin - Groove	1
7	104520	. Screw - Pan hd 10-24 x 7/8	4
8	69169	. Body - Fuel pump	1
9	48911	. Filter - Fuel	1
10	57274B	. Diaphragm - Fuel pump	1
11	69170	. Plate - Diaphragm	1
12	66092	. Diaphragm - Carburetor	1
13	53766A	. Valve - Check	1
14	62910	. Screw - Idle speed	1
	55397	. Screw - Idle speed	1
15	51705	. Spring - Screw	1
16	104814	. Screw - Pan hd 4-40 x 1/4	2
17	50701A	. Arm - Throttle shaft	1
18	65935	. Spring - Throttle return	1
19	110055	. Screw - Fil hd 8-32 x 3/8	1
20	55082	. Clip - Shaft	1
21	65934	. Plate - Throttle	1

Item No.	Part Number	Description	Units Per Assy
22	65932	. Shaft Assy - Throttle	1
23	68893	. Needle - Main fuel	1
24	52936	. Spring - Needle	2
25	52937	. Washer - Packing	2
26	88106	. Packing - Needle	2
27	67264	. Needle - Idle fuel	1
28	103460	. Screw - Fl hd 4-40 x 1/4	2
29	66097	. Cover - Capillary	1
30	66098	. Gasket - Cover	2
31	104728	. Screw - Bind hd 6-32 x 1/4	1
32	104305	. Pin - Lever	1
33	55688	. Lever - Inlet	1
34	57172	. Spring - Lever	1
35	60163A	. Set - Needle & Body	1
36	63038	. Needle - Valve	1
37	58969	. Body - Valve	1
38	55689	. Washer - Valve	1
39	65611	. Valve - Check	1
	68890	. Valve - Check	1
40	55062A	. Bushing - Shaft	2

USED ON

Model	S/N Prefix	S/N's
MC 91B		
MC 101A	14-	

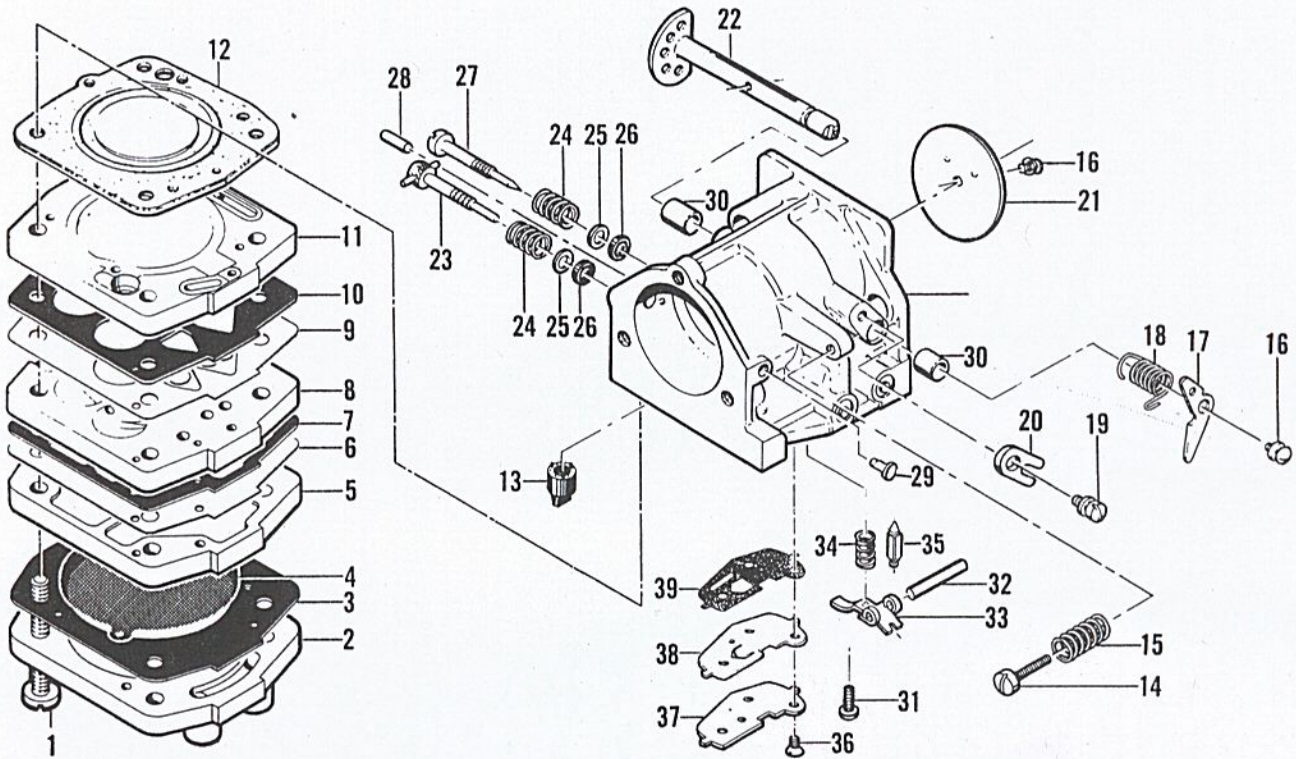


Item No.	Part Number	Description	Units Per Assy
	84446	Carburetor Assy	1
1	104520	. Screw Assy - Pan hd 10-24 x 7/8	4
2	84941	. Body - Fuel pump	1
3	48911	. Filter - Fuel	1
4	57274B	. Diaphragm Assy - Fuel pump	1
5	69170	. Plate - Diaphragm	1
6	66092	. Diaphragm - Carburetor	1
7	53766A	. Valve - Check	1
8	55397	. Screw - Idle speed	1
9	51705	. Spring - Idle screw	1
10	104814	. Screw - Pan hd 4-40 x 1/4	2
11	50701A	. Arm - Throttle shaft	1
12	65935	. Spring - Throttle return	1
13	110055	. Screw - Fil hd 8-32 x 3/8	1
14	55082	. Clip - Throttle shaft	1
15	65934	. Plate - Throttle	1
16	65932	. Shaft Assy - Throttle	1
17	84940	. Needle Assy - High speed adjustment	1

Item No.	Part Number	Description	Units Per Assy
18	67502	. Spring - Needle	2
19	52937	. Washer - Packing	2
20	88106	. Ring - Packing	2
21	84939	. Needle - Idle adjustment	1
22	101796	. Pin - Choke plate	1
23	48827	. Plug - Choke shaft bore	2
24	55062A	. Bushing - Body	2
25	104728	. Screw - Lever pin	1
26	104305	. Pin - Lever	1
27	84317	. Lever - Inlet	1
28	57172	. Spring - Lever	1
29	83753	. Needle - Inlet valve	1
30	84942	. Screw - Circuit plate	3
31	84938	. Plate - Circuit	1
32	84944	. Diaphragm - Check valve	1
33	84945	. Gasket - Circuit plate	1
34	84946	. Gasket - Circuit plate	1

USED ON

Model	S/N Prefix
MC 101AA 400170D	16-



Item No.	Part Number	Description	Units Per Assy
	85162	Carburetor Assy	1
1	* 85175	. Screw - Pan hd 10-24 x 1-1/2	4
2	* 85163	. Cover Assy - Fuel pump	1
3	* 85166	. Gasket - Fuel inlet	1
4	* 85178	. Screen - Filter	1
5	* 85179	. Plate - Filter	1
6	* 85170	. Diaphragm - Check valve	1
7	* 85167	. Gasket - Fuel pump check valve	1
8	* 85180	. Plate - Fuel pump	1
9	* 85171	. Diaphragm - Fuel pump	1
10	* 85168	. Gasket - Fuel pump	1
11	* 85181	. Plate - Metering diaphragm	1
12	66092	. Diaphragm - Metering	1
13	53766A	. Valve - Check	1
14	55397	. Screw - Idle speed	1
15	51705	. Spring - Idle screw	1
16	104814	. Screw - Pan hd 4-40 x 1/4 (SEMS)	2
17	50701A	. Arm - Throttle shaft	1
18	65935	. Spring - Throttle action	1

Item No.	Part Number	Description	Units Per Assy
19	110055	. Screw - Fil hd 8-32 x 3/8 (SEMS)	1
20	55082	. Clip - Throttle shaft	1
21	65934	. Plate - Throttle	1
22	65932	. Shaft Assy - Throttle	1
23	87876	. Needle - High speed	1
24	67502	. Spring - Needle	2
25	52937	. Washer - Packing	2
26	88106	. Ring - Packing	2
27	84939	. Needle - Idle	1
28	101796	. Pin - Choke plate	1
29	48827	. Plug - Choke shaft bore	2
30	55062A	. Bushing - Body	2
31	104728	. Screw - Lever pin	1
32	104305	. Pin - Lever	1
33	85182	. Lever Assy - Inlet	1
34	87874	. Spring - Lever	1
35	87875	. Needle - Inlet lever	1
36	84942	. Screw - Circuit plate	3
37	87873	. Plate - Circuit	1
38	84944	. Diaphragm - Check valve	1
39	84946	. Gasket - Circuit plate	2
	85183	Kit - Fuel pump	
	85184	Kit - Circuit	

* Contained in Fuel Pump Kit, P/N 85183

McCulloch Kit

P/N 84367

Includes Carburetor Assembly, P/N 87294, with provision for high speed governor on the throttle shaft. Service replacement for 700 and 800 Series saws having a high speed governor.

Kit, P/N 84367, consists of parts as follows:

<u>Part No.</u>	<u>Description</u>	<u>No. Unit</u>
87294	Carburetor Assembly	1
65586	Carburetor Gasket	1
61754	Governor Lever Assembly	1
61757	Governor Spring	1
63651	Fuel Collector	1
58865	Fuel Absorber	1
61907	Throttle Rod	1
84319	Choke Rod	1

McCulloch Kit

P/N 84351

Includes Carburetor Assembly, P/N 87293, for service replacement of Carburetor Assembly, P/N 66346, on Models 250, 550 and 660 saws.

Kit, P/N 84351, consists of parts as follows:

<u>Part No.</u>	<u>Description</u>	<u>No. Units</u>
87293	Carburetor Assembly	1
65583	Gasket - Carburetor and Adaptor	2
53189	Adaptor - Carburetor	1
53277	Grommet - Carburetor controls	1
61106	Rod - Throttle	1
60208	Screw - Special	2

Tillotson Kit

P/N 84479

Includes Carburetor Assembly, P/N 69856, for service replacement of Carburetor Assemblies, P/N 58170B or P/N 68722 on Model 940 saws.

Kit, P/N 84479 consists of parts as follows:

<u>Part No.</u>	<u>Description</u>	<u>No. Units</u>
69856	Carburetor Assy	1
65586	Gasket - Carburetor	1
69853	Adaptor - Carburetor	1
69851	Gasket - Adaptor	1
69861	Throttle Rod	1
102157	Screw - Fil hd 1/4-20 x 5/8	2
101143	Nut - Hex 1/4-20	2

McCulloch Kit

P/N 68752

The carburetor is furnished for service replacement on Models 550, 660, 795 and Model 797 with serial number prefixes 10- and 12-. The carburetor has both an air cleaner cover attachment stud and a fuel collector tube, for use as required.

Stud - Required for Models 550 and 660. If the carburetor is to be installed on a Model 797 or 795 engine, remove the stud.

Tube - Required for Models 795 and 797. The tube is not used on Models 550 or 660, but it may be left in place without alteration. The tube has no effect on operation of the carburetor.

Tillotson Kit

P/N 84667

Includes Carburetor Assembly,
P/N 69856, for service replace-
ment on the 170 Arc Welder.

Kit, P/N 84667 consists of parts as follows:

<u>Part No.</u>	<u>Description</u>	<u>No. Units</u>
	Carburetor and Idle Control Assembly	1
69856	. Carburetor Assembly	1
60199A	. Plunger Assembly - Idle Control	1
69857	. Cylinder Assembly - Idle Control	1
65586	Gasket - Carburetor	1
84666	Adaptor - Carburetor	1
102157	Screw - Fil hd 1/4-20 x 5/8	2
101143	Nut - Hex 1/4-20	2
69851	Gasket - Adaptor	1
58218	Extension - Choke Shaft	1
19236	Spring - Extension	1
69866	Lever - Choke	1
100644	Washer - 1/4	1
58237	Grommet	1
103183	Screw - 5-40 set	1
85153	Rod Throttle	1
69862	Anchor Assembly	1
65711	Hose - Short Fuel	1
62906	Hose - Long Fuel	1
104857	Clamp - Hose	2
59159	Retainer - Throttle Rod	1