



# CS2188 EPA

**Spare parts**

**Ersatzteile**

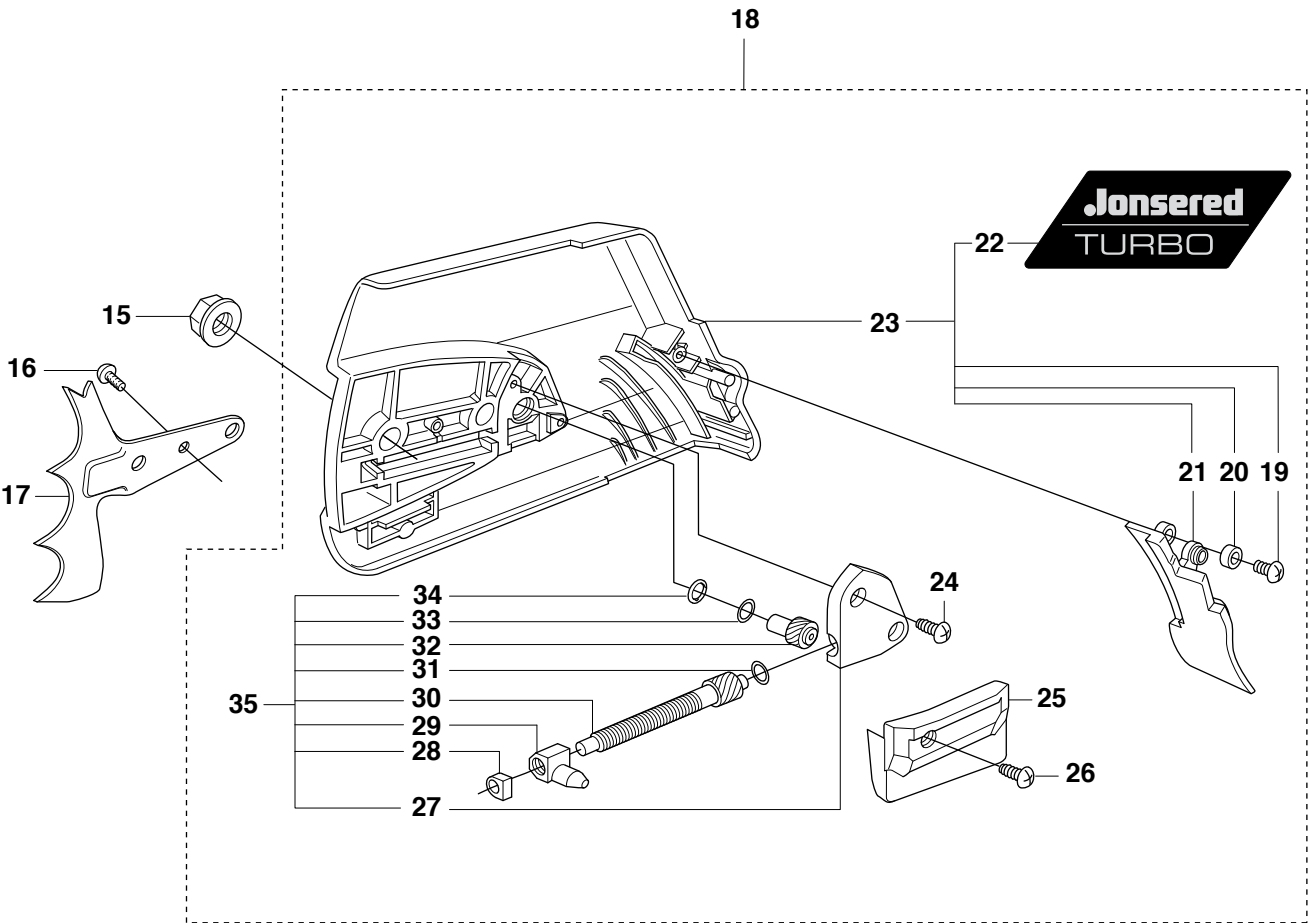
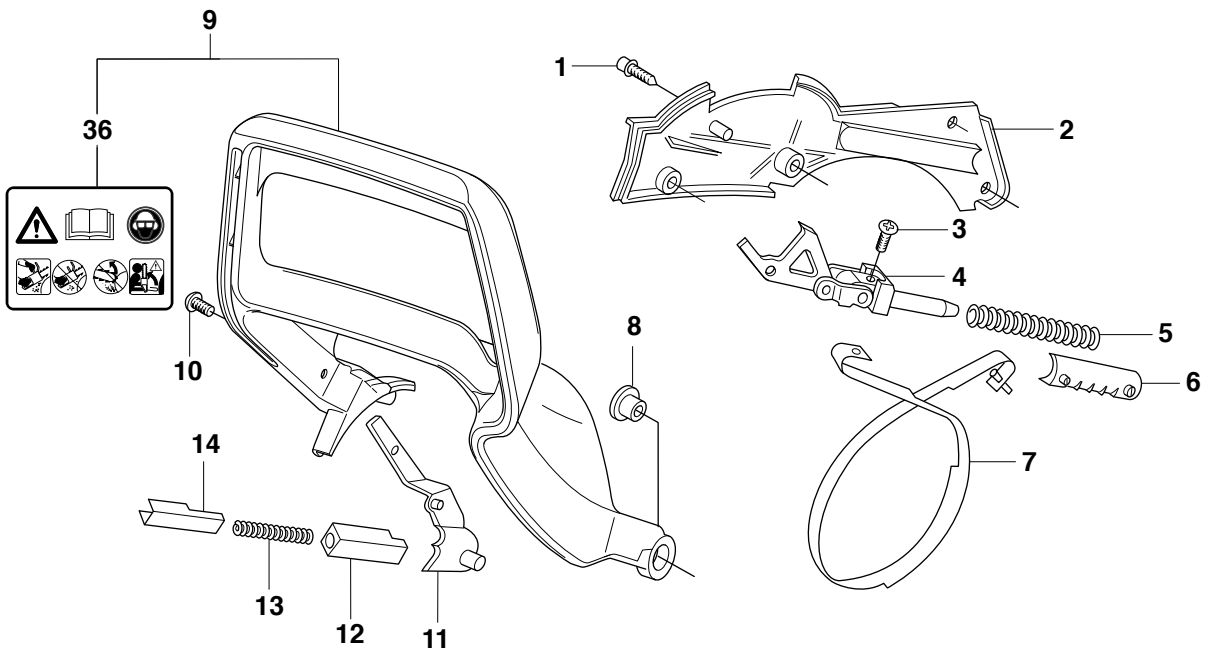
**Pièces détachées**

**Reserve onderdelen**

**Repuestos**

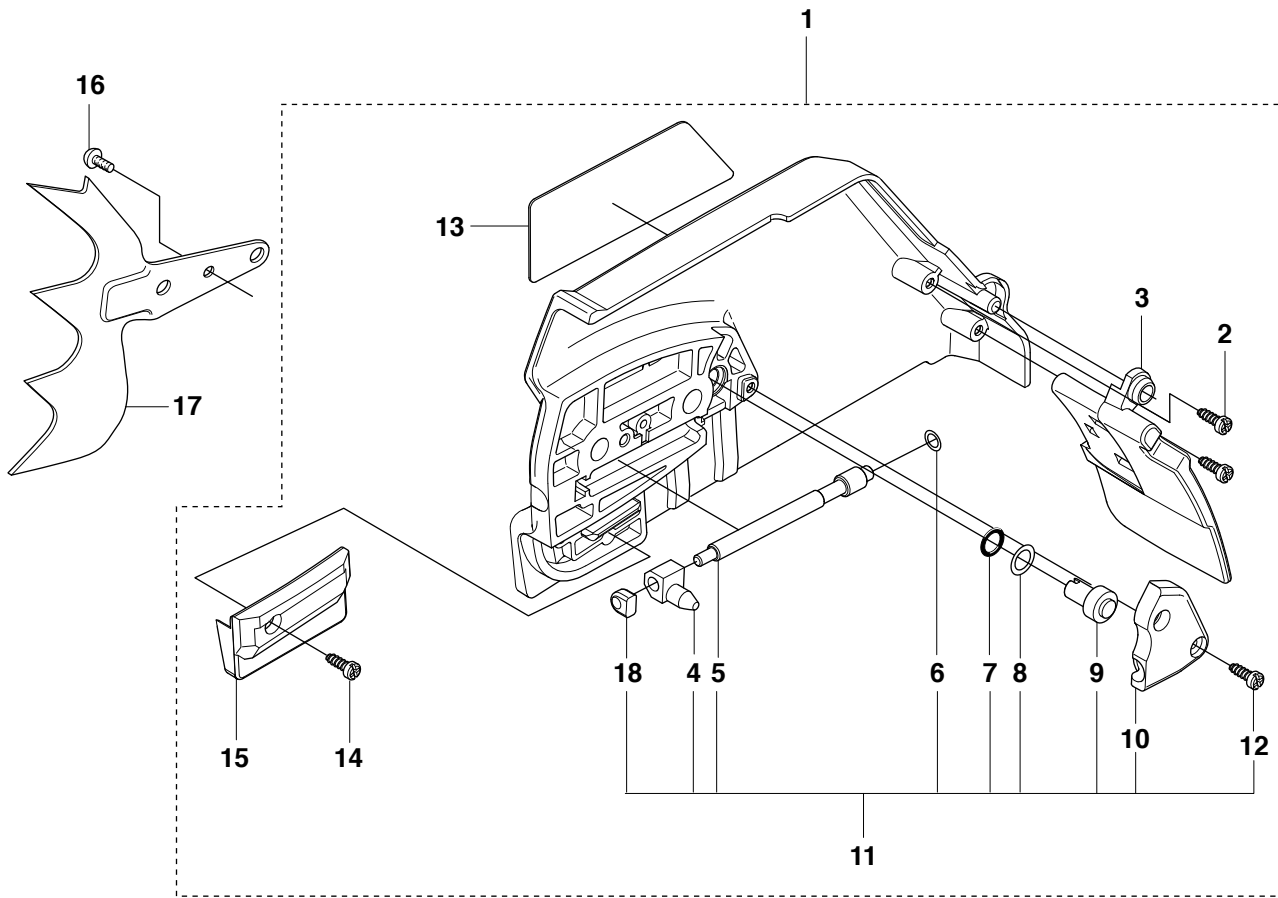
**Reservdelar**

# A1 CS2188 CHAIN BRAKE & CLUTCH COVER



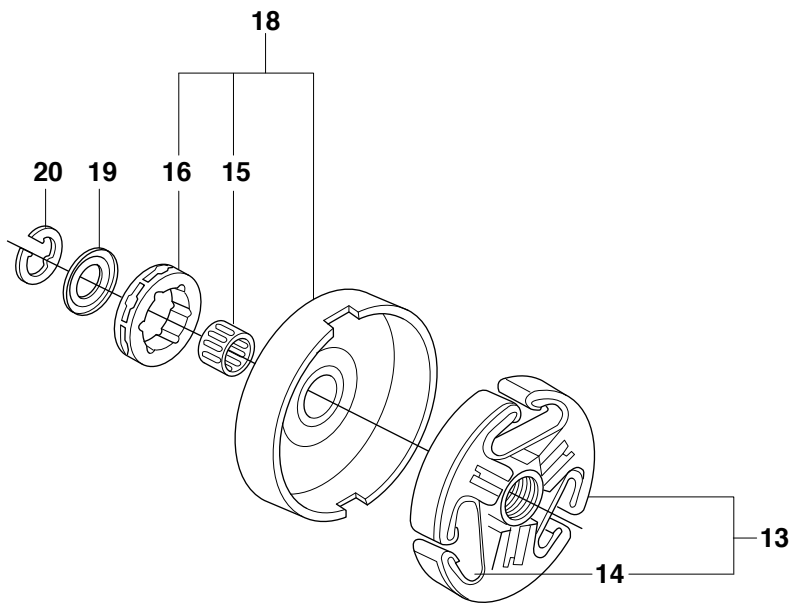
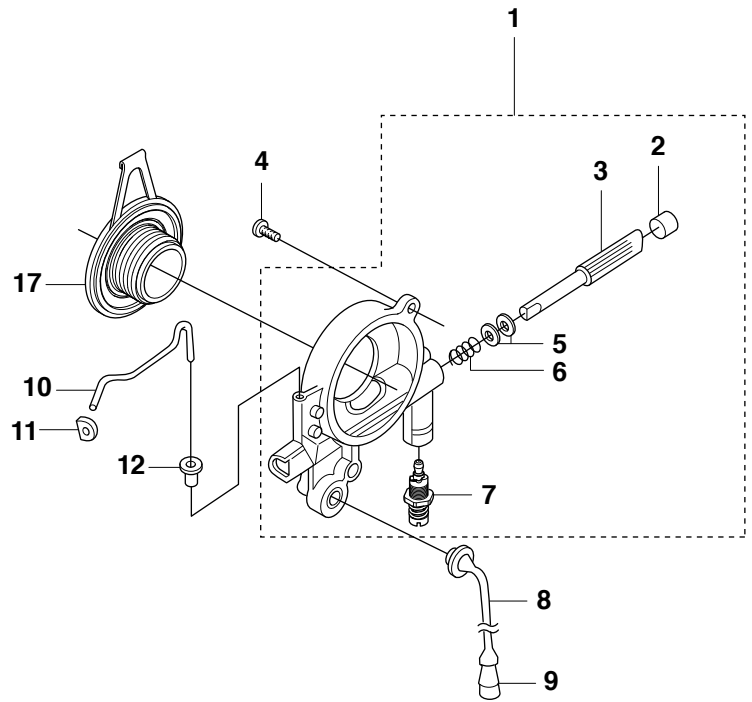
| Position | Article      | Quantity | Notes | Kit    |
|----------|--------------|----------|-------|--------|
| 1        | 503 20 02-12 | 4        |       |        |
| 2        | 503 75 11-03 | 1        |       |        |
| 3        | 503 21 28-10 | 1        |       |        |
| 4        | 501 87 53-04 | 1        |       |        |
| 5        | 503 70 99-01 | 1        |       |        |
| 6        | 503 79 27-01 | 1        |       |        |
| 7        | 503 75 22-02 | 1        |       |        |
| 8        | 503 77 52-01 | 1        |       |        |
| 9        | 537 19 57-01 | 1        |       |        |
| 10       | 503 20 25-12 | 1        |       |        |
| 11       | 537 00 87-02 | 1        |       |        |
| 12       | 503 83 81-02 | 1        |       |        |
| 13       | 503 43 65-01 | 1        |       |        |
| 14       | 537 01 67-01 | 1        |       |        |
| 15       | 503 22 00-01 | 2        |       |        |
| 16       | 503 21 28-10 | 1        |       |        |
| 17       | 503 71 97-01 | 1        |       |        |
| 18       | 537 07 20-02 | 1        |       |        |
| 19       | 503 21 28-10 | 1        |       | 18, 23 |
| 20       | 503 89 70-01 | 1        |       | 18, 23 |
| 21       | 503 76 29-02 | 1        |       | 18, 23 |
| 22       | 537 24 43-01 | 1        |       | 18, 23 |
| 23       | 537 07 20-71 | 1        |       | 18     |
| 24       | 503 21 28-10 | 2        |       | 18     |
| 25       | 537 19 06-01 | 1        |       | 18     |
| 26       | 503 21 28-10 | 1        |       | 18     |
| 27       | 537 01 68-01 | 1        |       | 18, 35 |
| 28       | 537 01 74-01 | 1        |       | 18, 35 |
| 29       | 503 99 83-01 | 1        |       | 18, 35 |
| 30       | 537 07 95-02 | 1        |       | 18, 35 |
| 31       | 503 23 00-66 | 1        |       | 18, 35 |
| 32       | 537 07 94-02 | 1        |       | 18, 35 |
| 33       | 503 23 00-63 | 1        |       | 18, 35 |
| 34       | 740 48 07-02 | 1        |       | 18, 35 |
| 35       | 537 04 41-02 | 1        |       | 18     |
| 36       | 503 98 74-01 | 1        |       | 9      |

**A2** CS2188  
CHAIN BRAKE



| Position | Article      | Quantity | Notes | Kit   |
|----------|--------------|----------|-------|-------|
| 1        | 537 33 10-02 | 1        | WA    |       |
| 2        | 503 21 28-10 | 2        |       | 1     |
| 3        | 537 17 41-01 | 1        |       | 1     |
| 4        | 503 99 83-01 | 1        |       | 1, 11 |
| 5        | 537 07 95-02 | 1        |       | 1, 11 |
| 6        | 503 23 00-66 | 1        |       | 1, 11 |
| 7        | 740 48 07-02 | 1        |       | 1, 11 |
| 8        | 503 23 00-63 | 1        |       | 1, 11 |
| 9        | 537 07 94-02 | 1        |       | 1, 11 |
| 10       | 537 01 68-01 | 1        |       | 1, 11 |
| 11       | 537 04 41-02 | 1        |       | 1     |
| 12       | 503 21 28-10 | 2        |       | 1, 11 |
| 13       | 537 03 38-02 | 1        |       | 1     |
| 14       | 503 21 28-10 | 1        |       | 1     |
| 15       | 537 04 34-01 | 2        |       | 1     |
| 16       | 503 21 28-10 | 1        |       |       |
| 17       | 503 92 27-01 | 1        | WA    |       |
| 18       | 537 01 74-01 | 1        |       | 1, 11 |

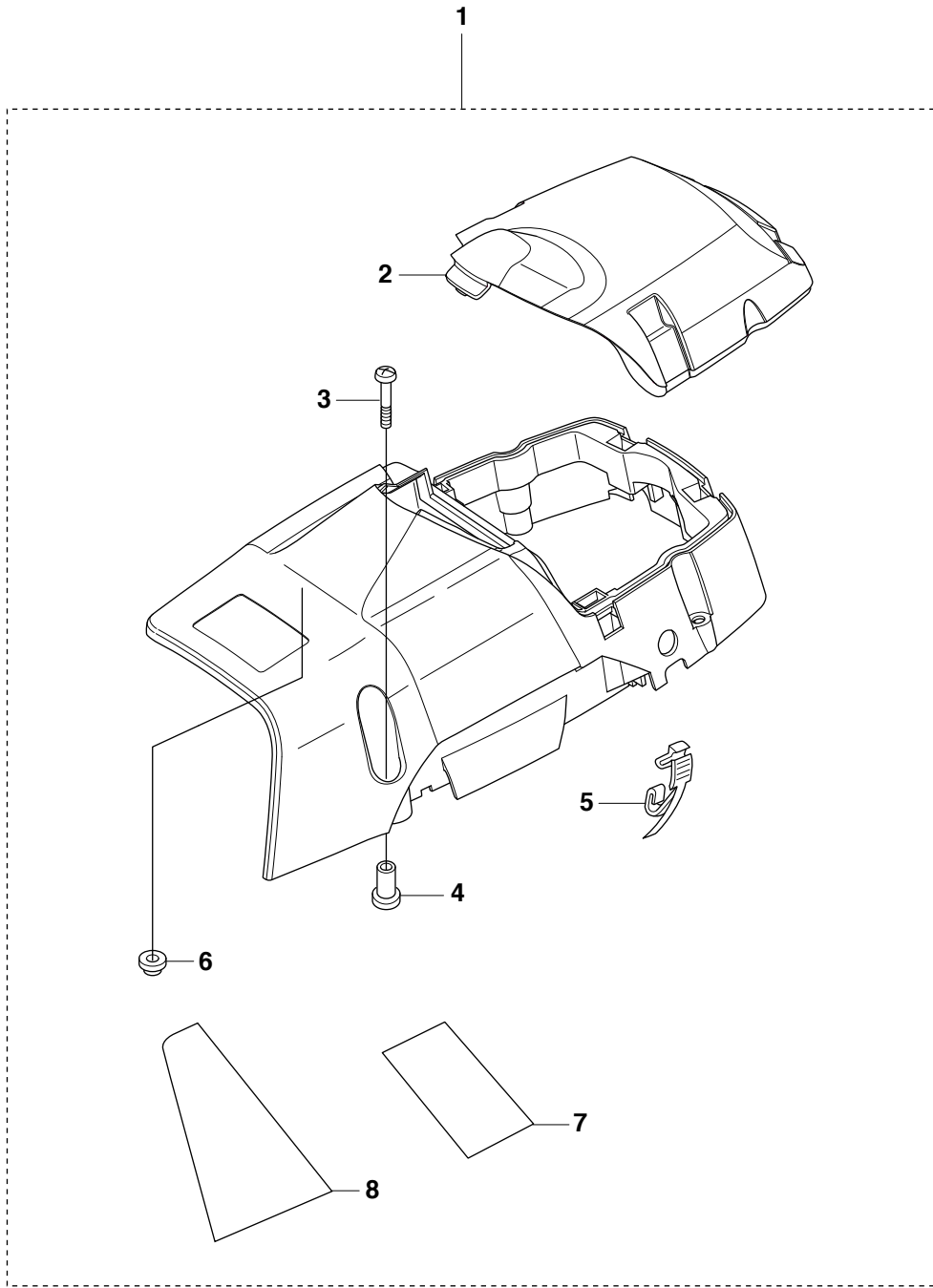
**B** CS2188  
CLUTCH & OIL PUMP



**Page B CS2188 CLUTCH & OIL PUMP**

| Position | Article      | Quantity | Notes   | Kit |
|----------|--------------|----------|---------|-----|
| 1        | 503 52 13-05 | 1        |         |     |
| 2        | 503 62 49-01 | 1        |         | 1   |
| 3        | 537 10 64-01 | 1        |         | 1   |
| 4        | 725 53 29-56 | 2        |         |     |
| 5        | 503 23 00-04 | 2        |         | 1   |
| 6        | 501 61 58-01 | 1        |         | 1   |
| 7        | 537 39 60-01 | 1        |         | 1   |
| 8        | 503 42 67-01 | 1        |         |     |
| 9        | 501 54 41-02 | 1        |         |     |
| 10       | 503 77 43-01 | 1        |         |     |
| 11       | 503 64 47-01 | 1        |         |     |
| 12       | 504 30 00-26 | 1        |         |     |
| 13       | 503 97 50-01 | 1        |         |     |
| 14       | 503 97 51-01 | 3        |         | 13  |
| 15       | 503 43 20-01 | 1        |         | 18  |
| 16       | 501 59 80-02 | 1        | 3/8"x7T | 18  |
| 16       | 505 30 36-61 | 1        | 3/8"x8T | 18  |
| 17       | 537 20 78-06 | 1        |         |     |
| 18       | 537 13 79-71 | 1        | 3/8"x7T |     |
| 18       | 537 13 79-72 | 1        | 3/8"x8T |     |
| 19       | 503 75 24-01 | 1        |         |     |
| 20       | 503 27 21-01 | 1        |         |     |

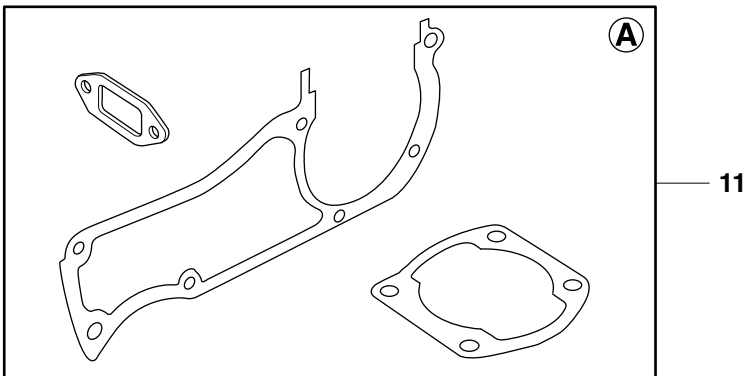
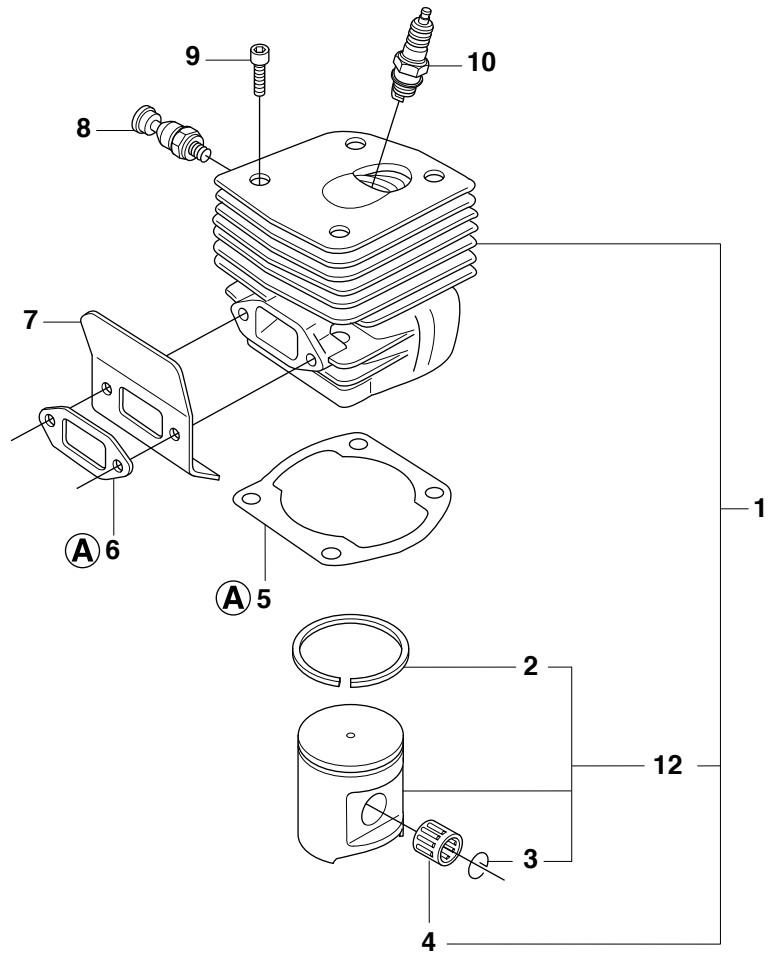
**C** CS2188  
CYLINDER COVER





| <b>Position</b> | <b>Article</b> | <b>Quantity</b> | <b>Notes</b> | <b>Kit</b> |
|-----------------|----------------|-----------------|--------------|------------|
| 1               | 537 16 80-01   | 1               |              |            |
| 2               | 537 16 82-01   | 1               |              | 1          |
| 3               | 503 20 44-26   | 3               |              | 1          |
| 4               | 537 13 72-01   | 3               |              | 1          |
| 5               | 503 69 91-02   | 4               |              | 1          |
| 6               | 537 01 65-01   | 1               |              | 1          |
| 7               | 537 25 35-01   | 1               |              | 1          |
| 8               | 537 25 34-01   | 1               |              | 1          |

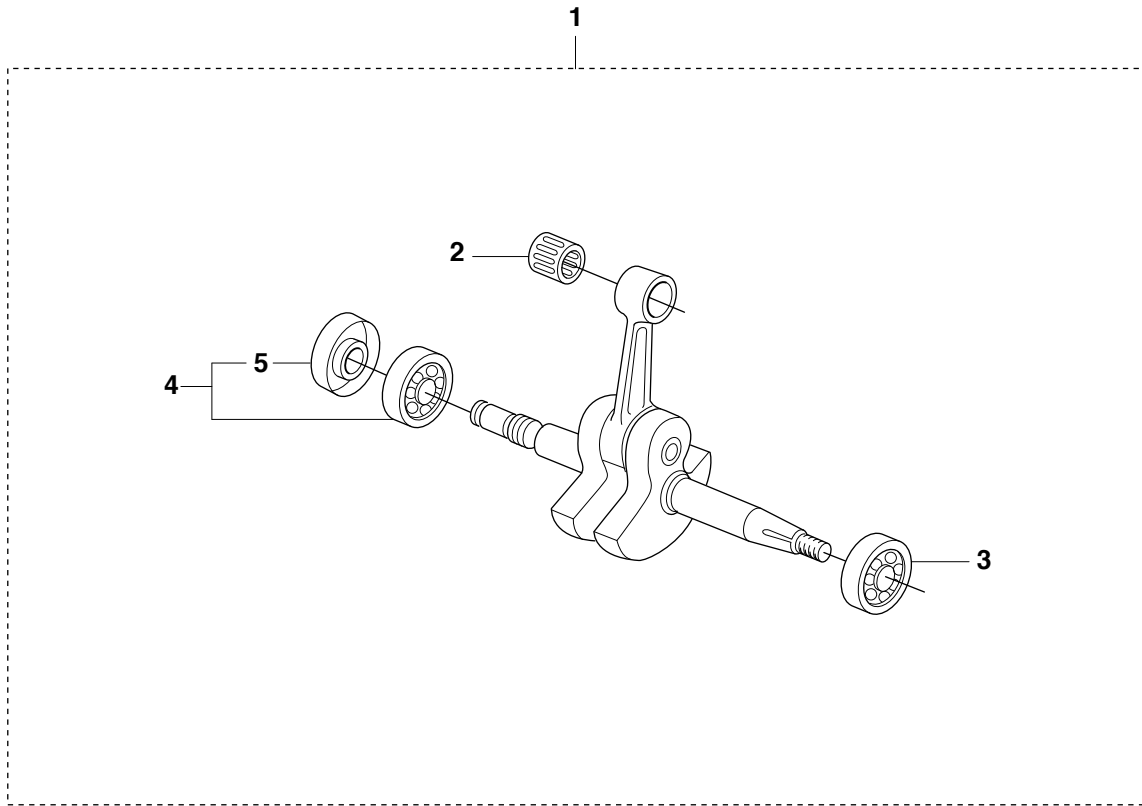
**D** CS2188  
CYLINDER PISTON



**Page D CS2188 CYLINDER PISTON**

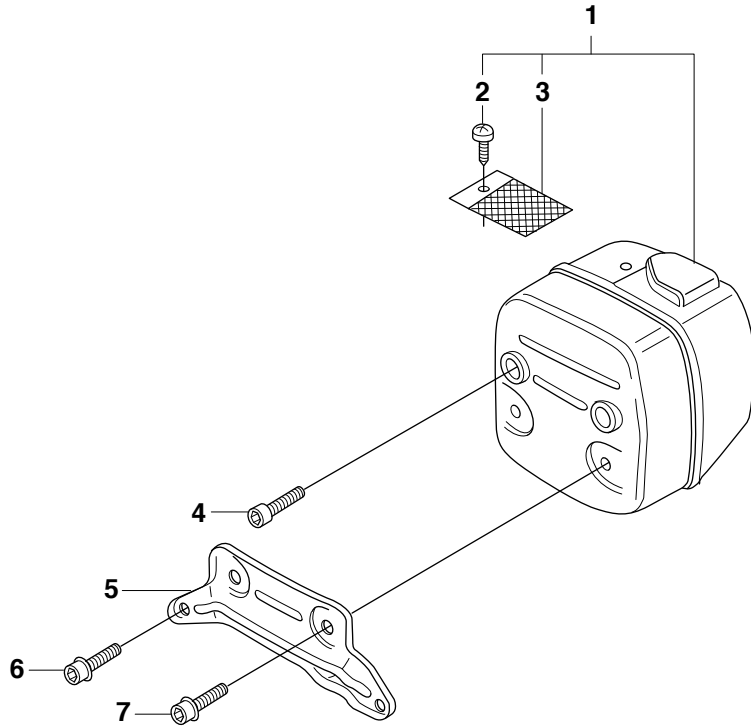
| <b>Position</b> | <b>Article</b> | <b>Quantity</b> | <b>Notes</b>       | <b>Kit</b> |
|-----------------|----------------|-----------------|--------------------|------------|
| 1               | 544 00 65-02   | 1               |                    |            |
| 2               | 503 28 90-53   | 2               |                    | 12         |
| 3               | 737 44 13-00   | 2               |                    | 12         |
| 4               | 503 25 61-01   | 1               |                    | 1          |
| 5               | 537 00 57-01   | 1               |                    | 11         |
| 6               | 503 77 59-01   | 1               |                    | 11         |
| 7               | 537 08 62-01   | 1               |                    |            |
| 8               | 503 71 53-01   | 1               |                    |            |
| 9               | 725 53 33-55   | 4               |                    |            |
| 10              | 503 23 51-08   | 1               | RCJ 7 Y            |            |
| 11              | 537 03 39-01   | 1               | A = Set of gaskets |            |
| 12              | 537 42 02-02   | 1               |                    | 1          |

**E** CS2188  
CRANKSHAFT



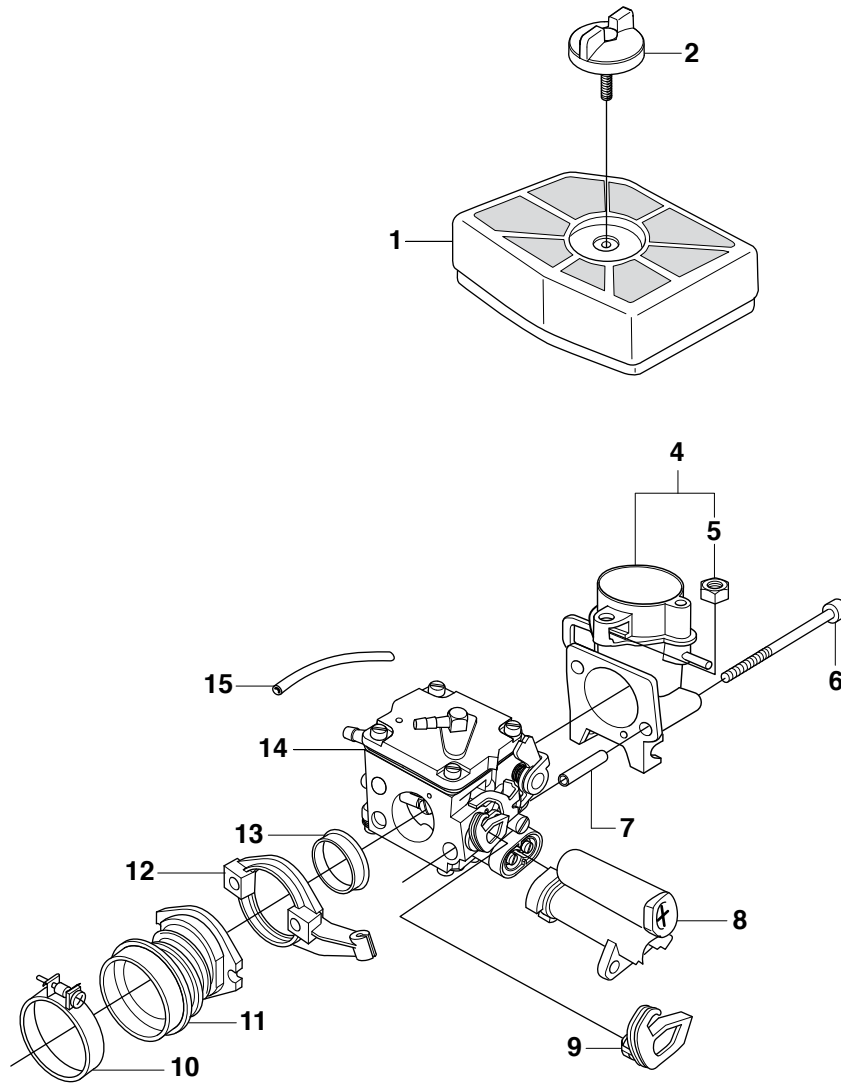
| <b>Position</b> | <b>Article</b> | <b>Quantity</b> | <b>Notes</b> | <b>Kit</b> |
|-----------------|----------------|-----------------|--------------|------------|
| 1               | 503 99 34-04   | 1               |              |            |
| 2               | 503 25 61-01   | 1               |              | 1          |
| 3               | 738 22 03-25   | 1               |              | 1          |
| 4               | 503 25 13-01   | 1               |              | 1          |
| 5               | 503 26 22-01   | 1               |              | 1, 4       |

**F** CS2188  
MUFFLER



| <b>Page F    CS2188            MUFFLER</b> |                |                 |              |            |
|--|----------------|-----------------|--------------|------------|
| <b>Position</b>                            | <b>Article</b> | <b>Quantity</b> | <b>Notes</b> | <b>Kit</b> |
| 1  | 544 02 91-04   | 1               | DF           |            |
| 2  | 724 12 87-59   | 1               |              | 1          |
| 3  | 503 76 64-02   | 1               |              | 1          |
| 4  | 725 53 70-55   | 2               |              |            |
| 5  | 503 76 65-03   | 1               |              |            |
| 6  | 503 20 02-16   | 2               |              |            |
| 7  | 503 20 07-12   | 2               |              |            |

**G** CS2188  
CARBURETOR & AIRFILTER

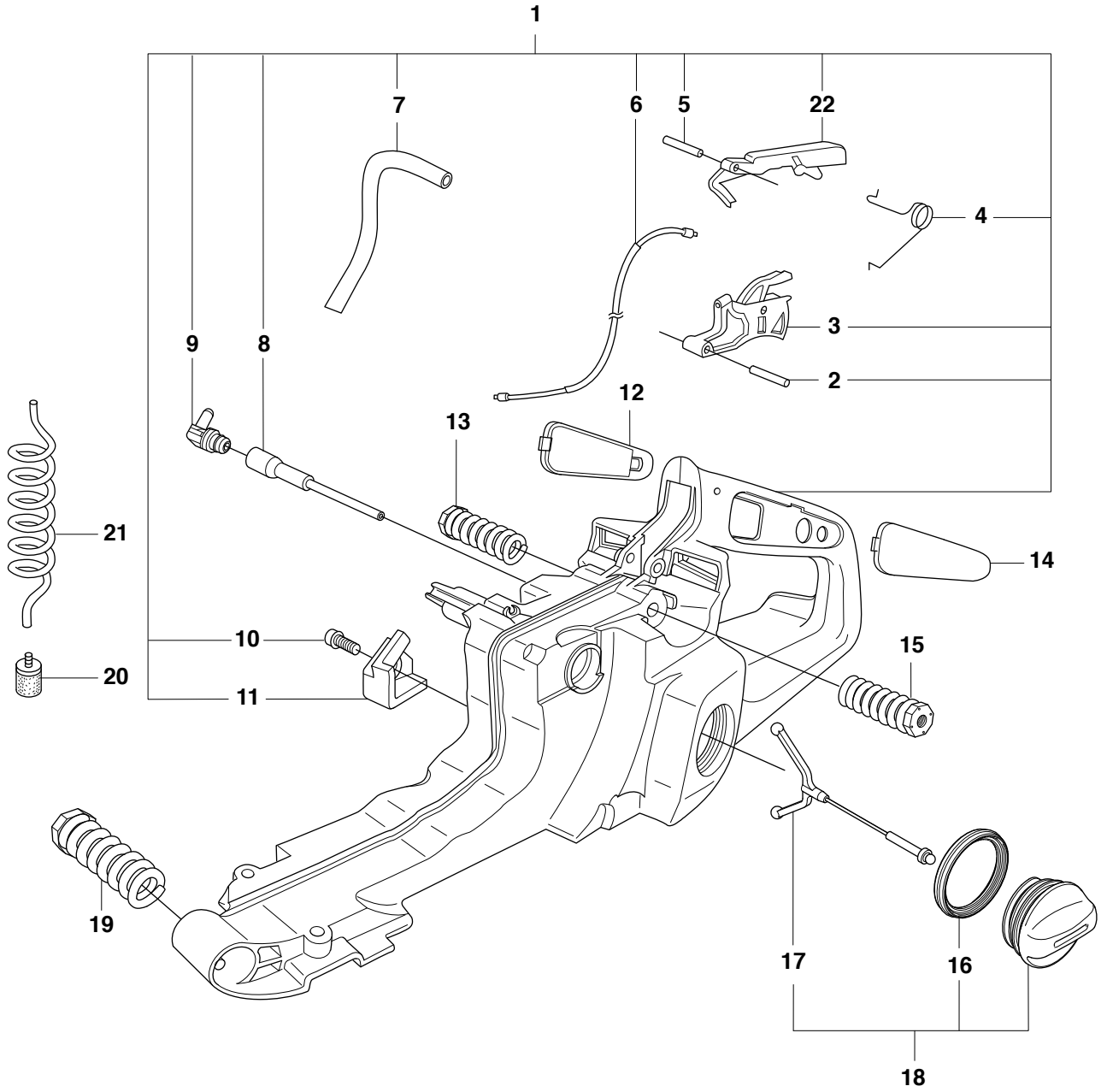




**Page G CS2188 CARBURETOR & AIRFILTER**

| Position | Article       | Quantity | Notes       | Kit |
|----------|---------------|----------|-------------|-----|
| 1        | 537 01 47-01  | 1        | 80 $\mu$    |     |
| 1        | 537 01 47-02  | 1        | 44 $\mu$    |     |
| 1        | 537 01 47-03  | 1        | Felt        |     |
| 2        | 537 21 32-01  | 1        |             |     |
| 4        | 537 00 91-01  | 1        |             |     |
| 5        | 731 23 14-01  | 1        |             | 4   |
| 6        | 725 53 09-55  | 2        |             |     |
| 7        | 503 70 11-01  | 2        |             |     |
| 8        | 544 97 51-01  | 1        |             |     |
| 9        | 503 68 41-01  | 1        |             |     |
| 10       | 505 28 33-02  | 1        |             |     |
| 11       | 537 11 14 -01 | 1        |             |     |
| 12       | 537 00 37-01  | 1        |             |     |
| 13       | 503 96 22-01  | 1        |             |     |
| 14       | 501 35 52-01  | 1        | WJ116 (EPA) |     |
| 15       | 503 40 06-04  | 1        |             |     |

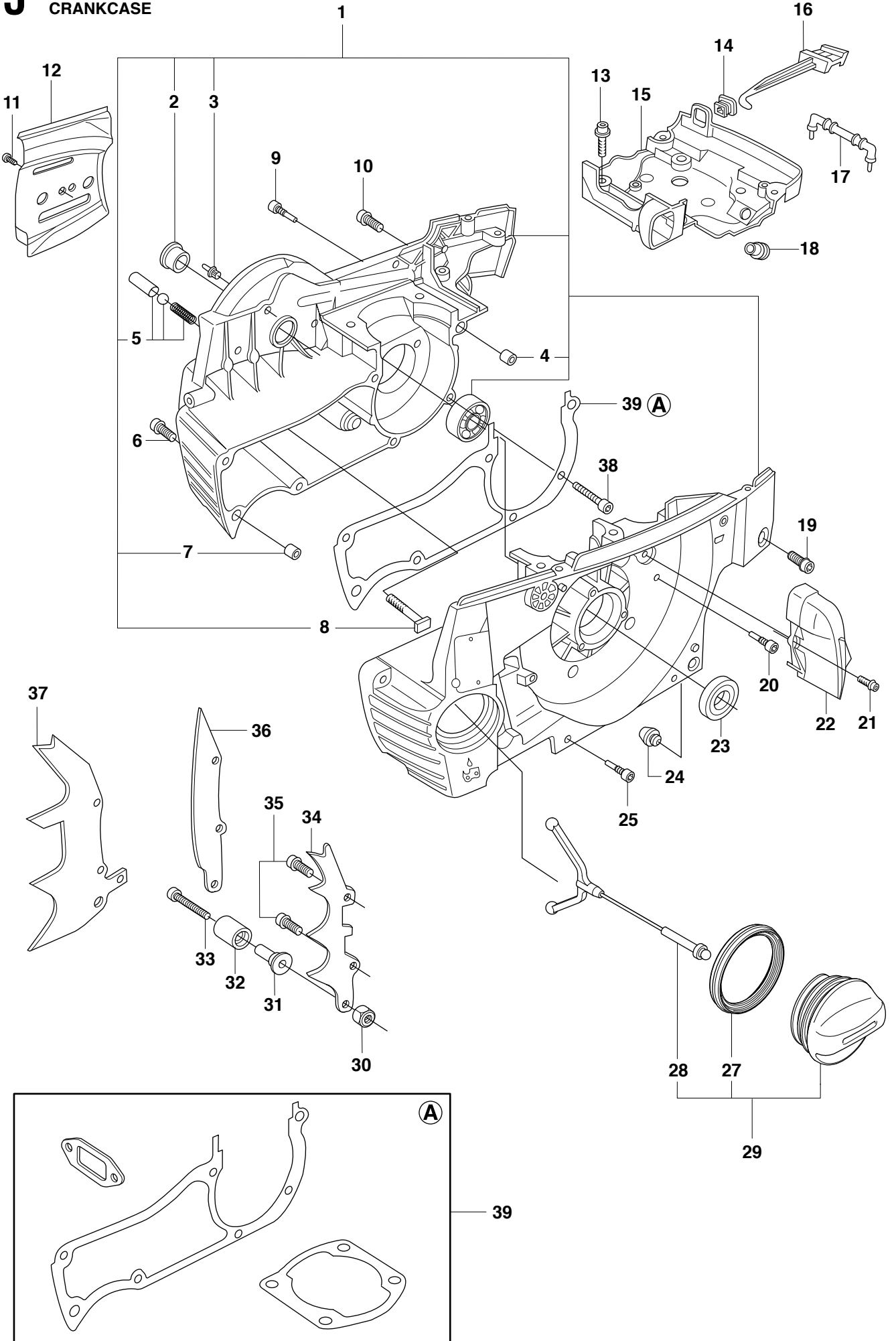
**H** CS2188  
FUEL TANK & HANDLE



**Page H CS2188 FUEL TANK & HANDLE**

| <b>Position</b> | <b>Article</b> | <b>Quantity</b> | <b>Notes</b> | <b>Kit</b> |
|-----------------|----------------|-----------------|--------------|------------|
| 1               | 537 00 03-72   | 1               |              |            |
| 2               | 720 12 72-20   | 1               |              | 1          |
| 3               | 503 82 98-02   | 1               |              | 1          |
| 4               | 503 73 64-01   | 1               |              | 1          |
| 5               | 720 12 40-20   | 1               |              | 1          |
| 6               | 503 71 76-01   | 1               |              | 1          |
| 7               | 544 32 49-06   | 1               |              | 1          |
| 8               | 537 09 22-01   | 1               |              | 1          |
| 9               | 537 09 93-01   | 1               |              | 1          |
| 10              | 503 21 88-74   | 1               |              | 1          |
| 11              | 537 00 88-02   | 1               |              | 1          |
| 12              | 537 03 34-02   | 1               |              |            |
| 13              | 537 01 79-01   | 1               |              |            |
| 14              | 537 03 34-02   | 1               |              |            |
| 15              | 537 01 79-01   | 1               |              |            |
| 16              | 537 21 50-01   | 1               |              | 18         |
| 17              | 503 57 89-01   | 1               |              | 18         |
| 18              | 537 21 52-01   | 1               |              |            |
| 19              | 537 01 75-01   | 1               |              |            |
| 20              | 503 44 32-01   | 1               |              |            |
| 21              | 544 32 50-02   | 1               |              |            |
| 22              | 503 55 66-02   | 1               |              | 1          |

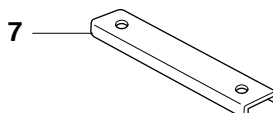
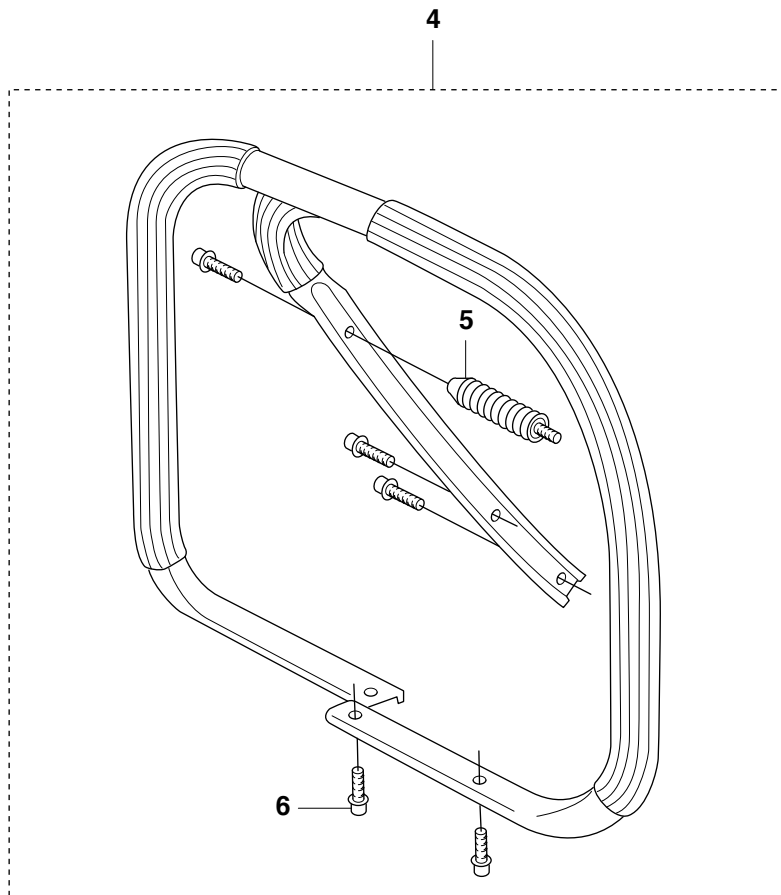
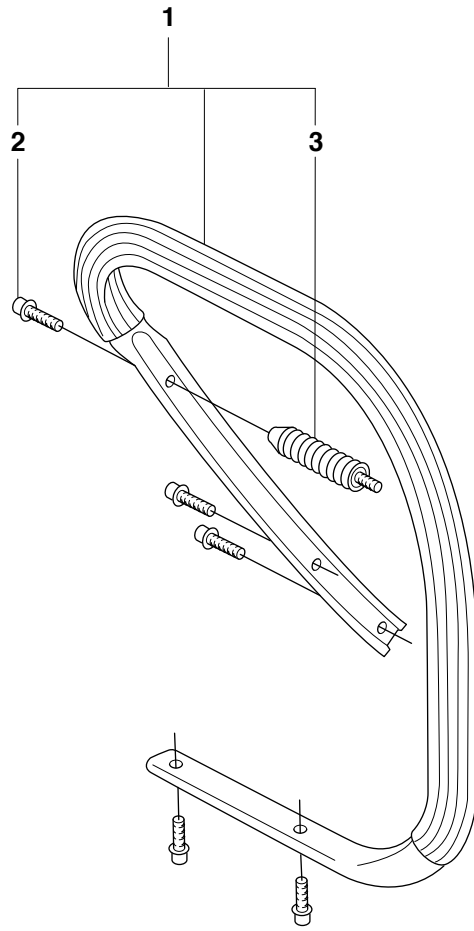
**J** CS2188  
CRANKCASE



**Page J CS2188 CRANKCASE**

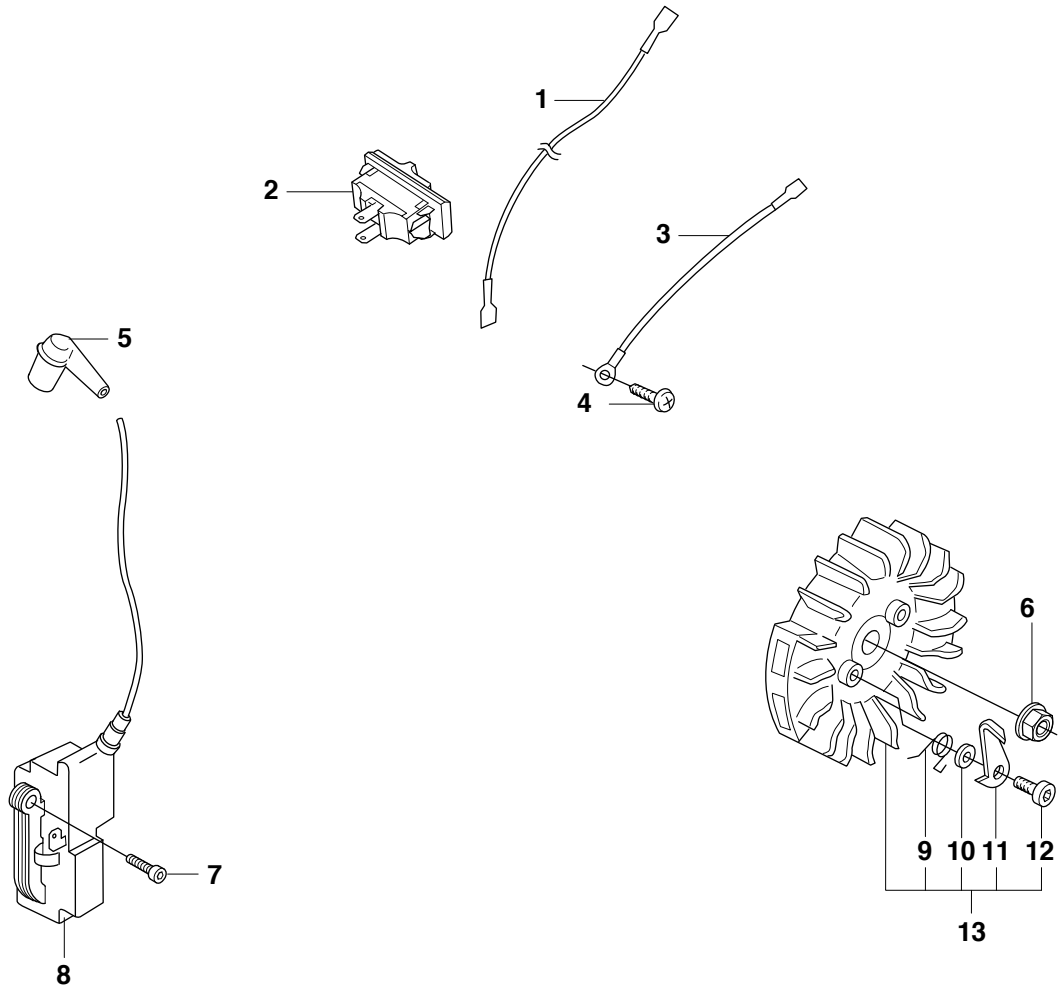
| Position | Article      | Quantity | Notes              | Kit |
|----------|--------------|----------|--------------------|-----|
| 1        | 503 99 11-06 | 1        |                    |     |
| 2        | 503 96 70-01 | 1        |                    | 1   |
| 3        | 503 75 18-01 | 1        |                    | 1   |
| 4        | 501 27 08-01 | 1        |                    | 1   |
| 5        | 537 04 03-01 | 1        |                    | 1   |
| 6        | 503 21 88-74 | 1        |                    |     |
| 7        | 501 27 08-01 | 1        |                    | 1   |
| 8        | 537 05 13-01 | 2        |                    | 1   |
| 9        | 503 74 93-01 | 1        |                    |     |
| 10       | 503 21 88-74 | 1        |                    |     |
| 11       | 503 21 28-10 | 1        |                    |     |
| 12       | 537 04 66-01 | 1        |                    |     |
| 13       | 503 20 02-12 | 4        |                    |     |
| 14       | 503 73 44-01 | 1        |                    |     |
| 15       | 537 00 14-04 | 1        |                    |     |
| 16       | 537 00 12-01 | 1        |                    |     |
| 17       | 503 67 86-01 | 1        |                    |     |
| 18       | 537 09 54-01 | 1        |                    |     |
| 19       | 503 21 88-74 | 1        |                    |     |
| 20       | 503 74 93-01 | 1        |                    |     |
| 21       | 503 20 02-12 | 1        |                    |     |
| 22       | 537 00 79-01 | 1        |                    |     |
| 23       | 503 26 02-05 | 1        |                    |     |
| 24       | 503 84 61-01 | 2        |                    |     |
| 25       | 503 74 93-01 | 1        |                    |     |
| 27       | 537 21 50-01 | 1        |                    | 29  |
| 28       | 503 57 89-01 | 1        |                    | 29  |
| 29       | 537 21 52-01 | 1        |                    |     |
| 30       | 503 22 24-01 | 1        |                    |     |
| 31       | 537 08 92-01 | 1        |                    |     |
| 32       | 537 02 44-01 | 1        |                    |     |
| 33       | 503 20 02-30 | 1        |                    |     |
| 34       | 537 01 71-01 | 1        |                    |     |
| 35       | 503 20 02-16 | 2        |                    |     |
| 36       | 537 04 29-01 | 1        |                    |     |
| 37       | 537 01 72-01 | 1        | WA                 |     |
| 38       | 503 20 16-35 | 6        |                    |     |
| 39       | 537 03 39-01 | 1        | A = Set of gaskets |     |

**K** CS2188  
HANDLE



| <b>Position</b> | <b>Article</b> | <b>Quantity</b> | <b>Notes</b> | <b>Kit</b> |
|-----------------|----------------|-----------------|--------------|------------|
| 1               | 537 16 78-71   | 1               |              |            |
| 2               | 503 21 88-74   | 5               |              | 1          |
| 3               | 503 52 87-02   | 1               |              | 1          |
| 4               | 537 16 79-71   | 1               | WA           |            |
| 5               | 503 52 87-02   | 1               |              | 4          |
| 6               | 503 21 88-74   | 5               |              | 4          |
| 7               | 537 03 73-01   | 1               | WA           |            |

**L** CS2188  
IGNITION SYSTEM

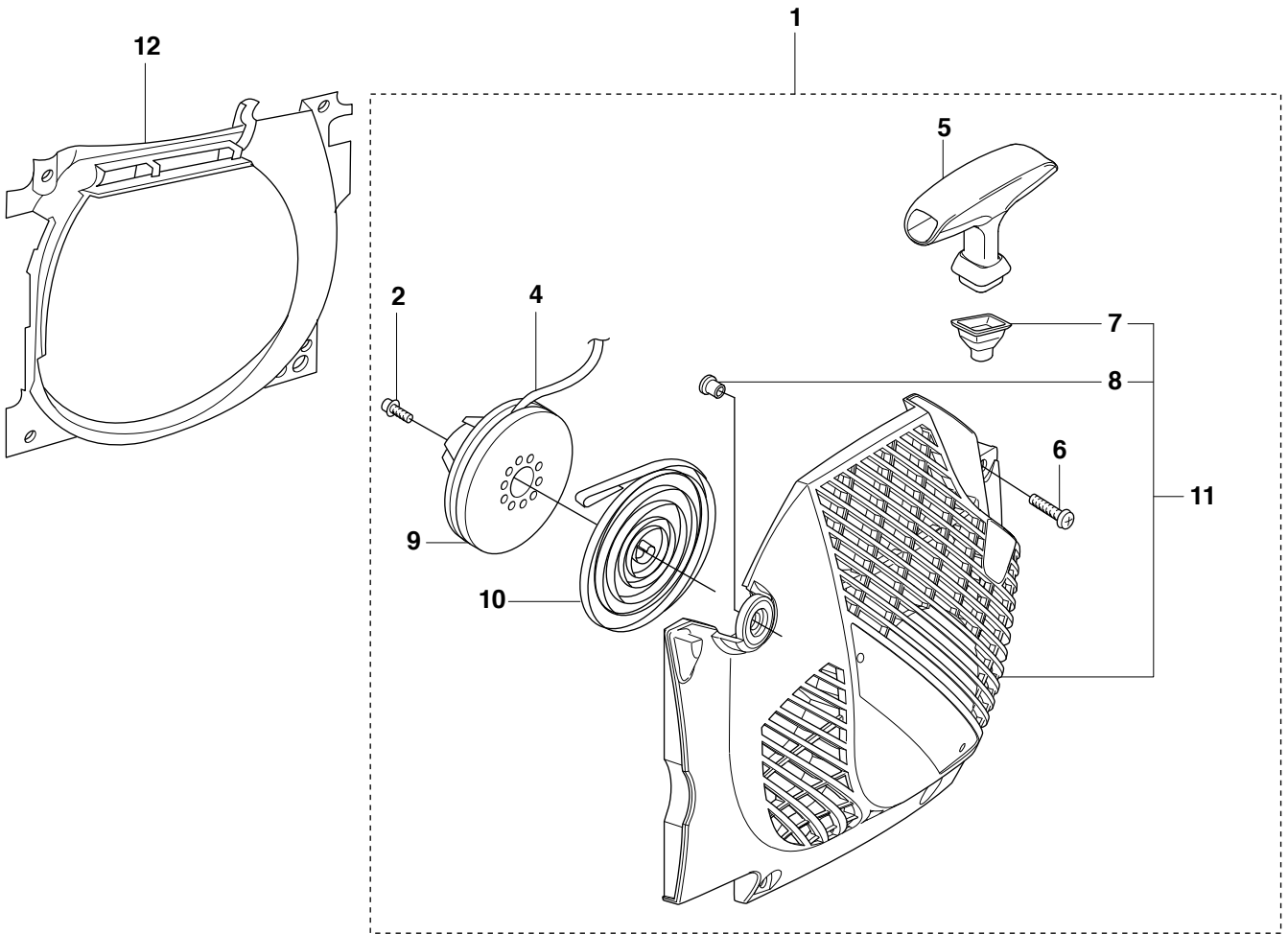




**Page L CS2188 IGNITION SYSTEM**

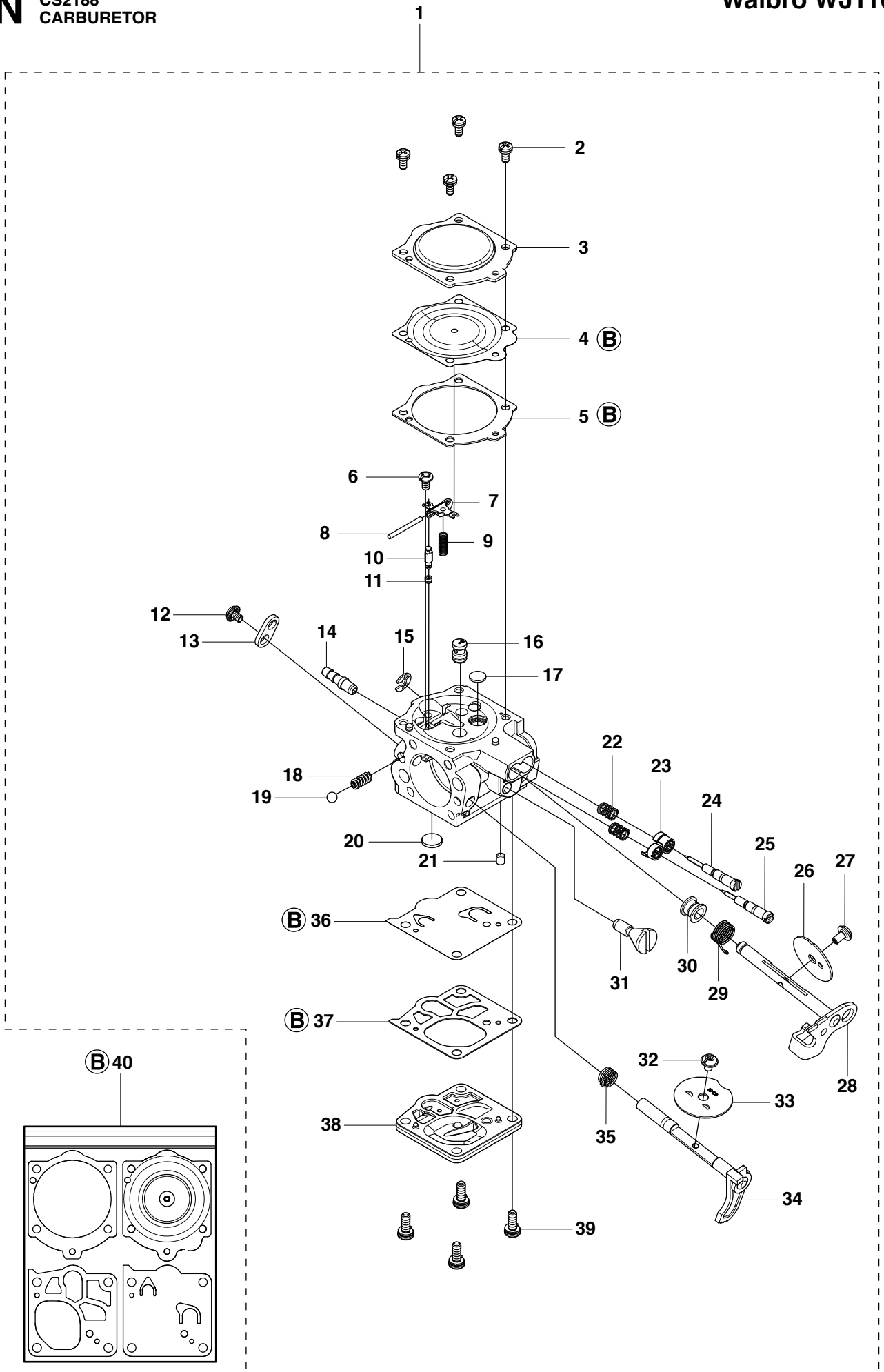
| <b>Position</b> | <b>Article</b> | <b>Quantity</b> | <b>Notes</b> | <b>Kit</b> |
|-----------------|----------------|-----------------|--------------|------------|
| 1               | 503 62 61-02   | 1               |              |            |
| 2               | 503 71 82-01   | 1               |              |            |
| 3               | 503 89 76-01   | 1               |              |            |
| 4               | 503 21 28-10   | 1               |              |            |
| 5               | 501 48 54-02   | 1               |              |            |
| 6               | 503 22 04-01   | 1               |              |            |
| 7               | 503 20 02-20   | 2               |              |            |
| 8               | 510 11 49-01   | 1               |              |            |
| 9               | 501 67 35-01   | 2               |              | 13         |
| 10              | 503 23 00-42   | 2               |              | 13         |
| 11              | 537 01 55-01   | 2               |              | 13         |
| 12              | 501 81 99-01   | 2               |              | 13         |
| 13              | 537 05 16-05   | 1               |              |            |

**M** CS2188  
STARTER



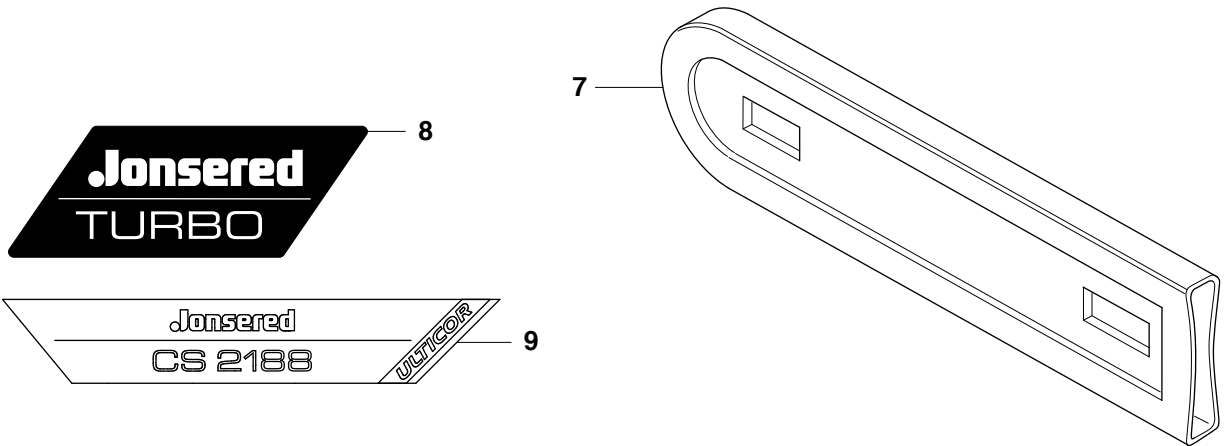
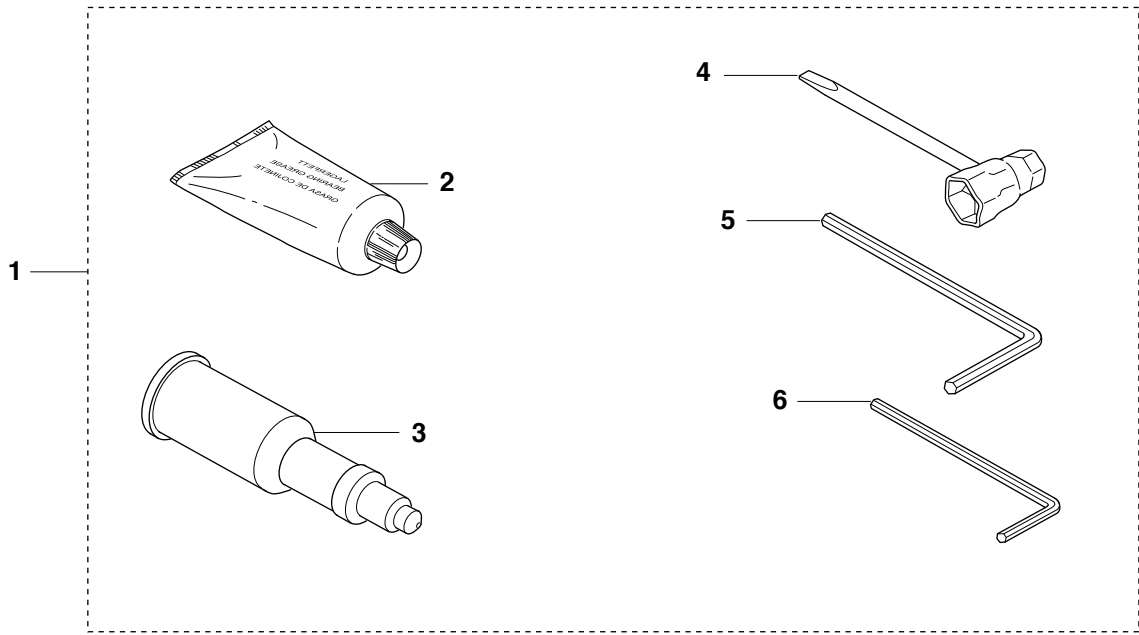
Jonsered  
CS 2188  
ULTICOR 13

| <b>Position</b> | <b>Article</b> | <b>Quantity</b> | <b>Notes</b> | <b>Kit</b> |
|-----------------|----------------|-----------------|--------------|------------|
| 1               | 537 16 83-71   | 1               |              |            |
| 2               | 503 21 52-16   | 1               |              | 1          |
| 4               | 503 43 29-02   | 1               |              | 1          |
| 5               | 537 19 65-01   | 1               |              | 1          |
| 6               | 503 20 34-19   | 4               |              | 1,11       |
| 7               | 501 63 06-01   | 1               |              | 1,11       |
| 8               | 537 08 67-01   | 1               |              | 1,11       |
| 9               | 503 85 96-01   | 1               |              | 1          |
| 10              | 503 78 72-01   | 1               |              | 1          |
| 11              | 537 16 84-71   | 1               |              | 1          |
| 12              | 537 00 13-01   | 1               |              |            |
| 13              | 537 16 89-05   | 1               |              |            |

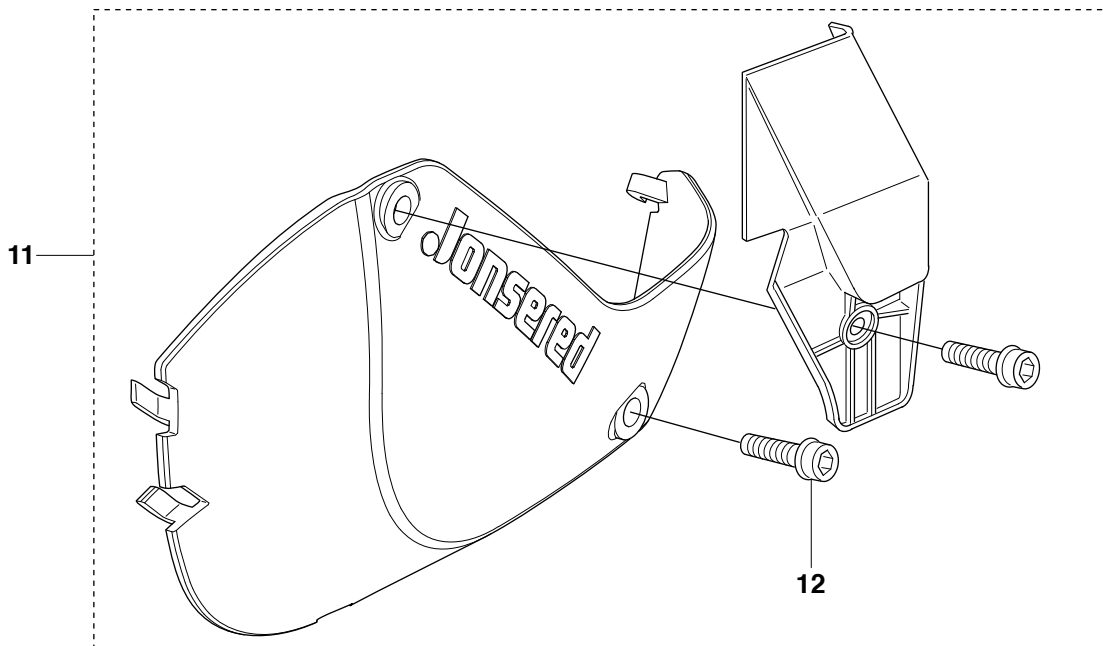


| Page N CS2188 CARBURETOR |              |          |                    |       |
|--------------------------|--------------|----------|--------------------|-------|
| Position                 | Article      | Quantity | Notes              | Kit   |
| 1                        | 501 35 52-01 | 1        |                    |       |
| 2                        | 503 10 87-01 | 4        |                    | 1     |
| 3                        | 505 31 67-02 | 1        |                    | 1     |
| 4                        | 505 31 67-15 | 1        |                    | 1, 40 |
| 5                        | 501 46 75-01 | 1        |                    | 1, 40 |
| 6                        | 505 31 67-17 | 1        |                    | 1     |
| 7                        | 505 31 67-34 | 1        |                    | 1     |
| 8                        | 505 31 67-31 | 1        |                    | 1     |
| 9                        | 504 79 12-01 | 1        |                    | 1     |
| 10                       | 503 56 34-01 | 1        |                    | 1     |
| 11                       | 503 59 23-01 | 1        |                    | 1     |
| 12                       | 501 46 87-01 | 1        |                    | 1     |
| 13                       | 504 79 07-01 | 1        |                    | 1     |
| 14                       | 505 69 69-01 | 1        |                    | 1     |
| 15                       | 505 31 67-36 | 1        |                    | 1     |
| 16                       | 504 79 09-01 | 1        |                    | 1     |
| 17                       | 504 79 08-01 | 1        |                    | 1     |
| 18                       | 503 11 77-01 | 1        |                    | 1     |
| 19                       | 503 11 71-01 | 1        |                    | 1     |
| 20                       | 501 66 61-01 | 1        |                    | 1     |
| 21                       | 503 80 05-01 | 1        |                    | 1     |
| 22                       | 544 97 10-01 | 2        |                    | 1     |
| 23                       | 544 97 08-01 | 2        |                    | 1     |
| 24                       | 504 79 18-01 | 1        | Low speed          | 1     |
| 25                       | 544 97 13-01 | 1        | High speed         | 1     |
| 26                       | 503 80 00-01 | 1        |                    | 1     |
| 27                       | 544 11 15-01 | 1        |                    | 1     |
| 28                       | 504 79 04-01 | 1        |                    | 1     |
| 29                       | 576 13 82-01 | 1        |                    | 1     |
| 30                       | 502 10 31-01 | 1        |                    | 1     |
| 31                       | 504 79 11-01 | 1        |                    | 1     |
| 32                       | 537 00 34-01 | 1        |                    | 1     |
| 33                       | 505 31 67-07 | 1        |                    | 1     |
| 34                       | 504 79 05-01 | 1        |                    | 1     |
| 35                       | 504 79 15-01 | 1        |                    | 1     |
| 36                       | 544 89 72-01 | 1        |                    | 1, 40 |
| 37                       | 503 11 72-01 | 1        |                    | 1, 40 |
| 38                       | 504 79 03-01 | 1        |                    | 1     |
| 39                       | 503 11 75-01 | 4        |                    | 1     |
| 40                       | 522 59 18-01 | 1        | B = Set of gaskets |       |

**P** CS2188  
ACCESSORIES



**WINTER KIT**



| <b>Page P CS2188 ACCESSORIES</b> |                |                 |              |            |
|----------------------------------|----------------|-----------------|--------------|------------|
| <b>Position</b>                  | <b>Article</b> | <b>Quantity</b> | <b>Notes</b> | <b>Kit</b> |
| 1                                | 503 55 85-03   | 1               |              |            |
| 2                                | 503 62 12-01   | 1               |              | 1          |
| 3                                | 501 91 14-01   | 1               |              | 1          |
| 4                                | 501 69 17-02   | 1               |              | 1          |
| 5                                | 503 55 86-02   | 1               | NV5          | 1          |
| 6                                | 503 55 86-01   | 1               | NV4          | 1          |
| 7                                | 501 83 44-02   | 1               | 13"-16"      |            |
| 7                                | 501 83 44-05   | 1               | 18"-22"      |            |
| 7                                | 501 83 45-02   | 1               | 24"-28"      |            |
| 8                                | 537 24 43-01   | 1               |              |            |
| 9                                | 537 16 89-05   | 1               |              |            |
| 11                               | 537 20 11-01   | 1               | Winter kit   |            |
| 12                               | 503 21 70-16   | 2               |              | 11         |