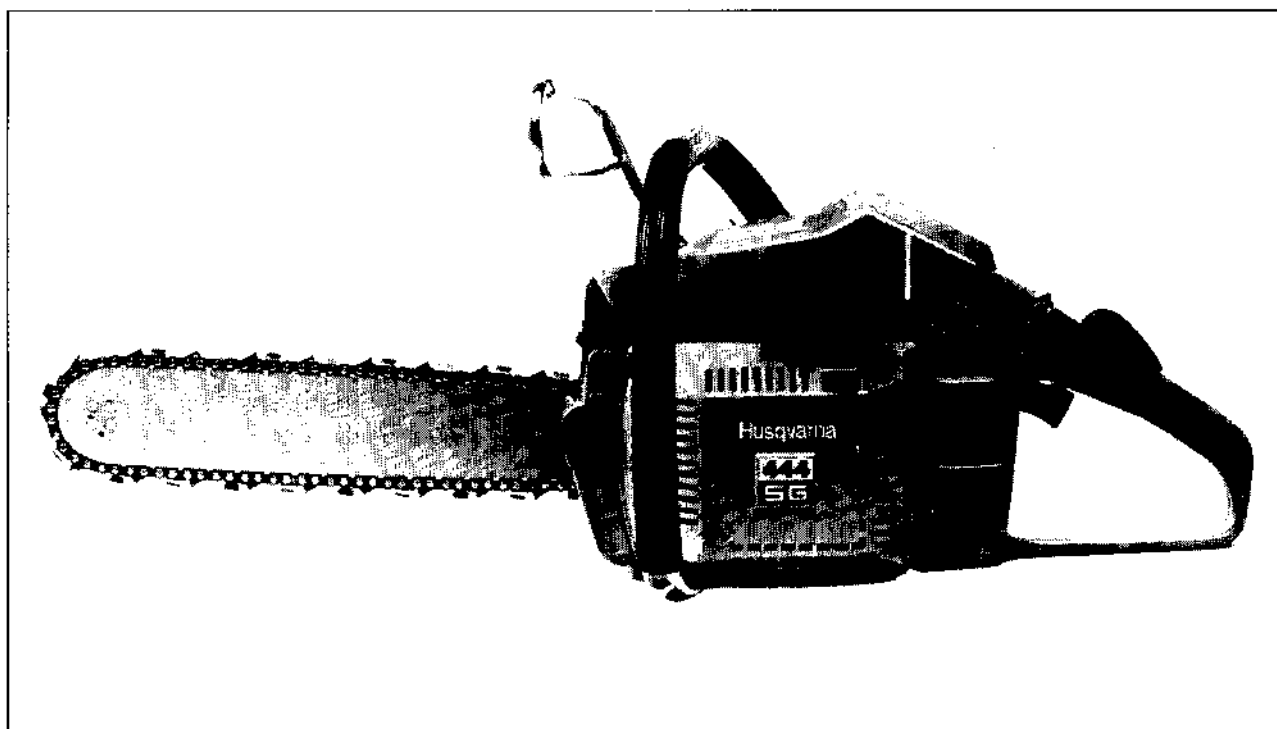


MAY 05 1983

444



1. 1983

Reservdelar

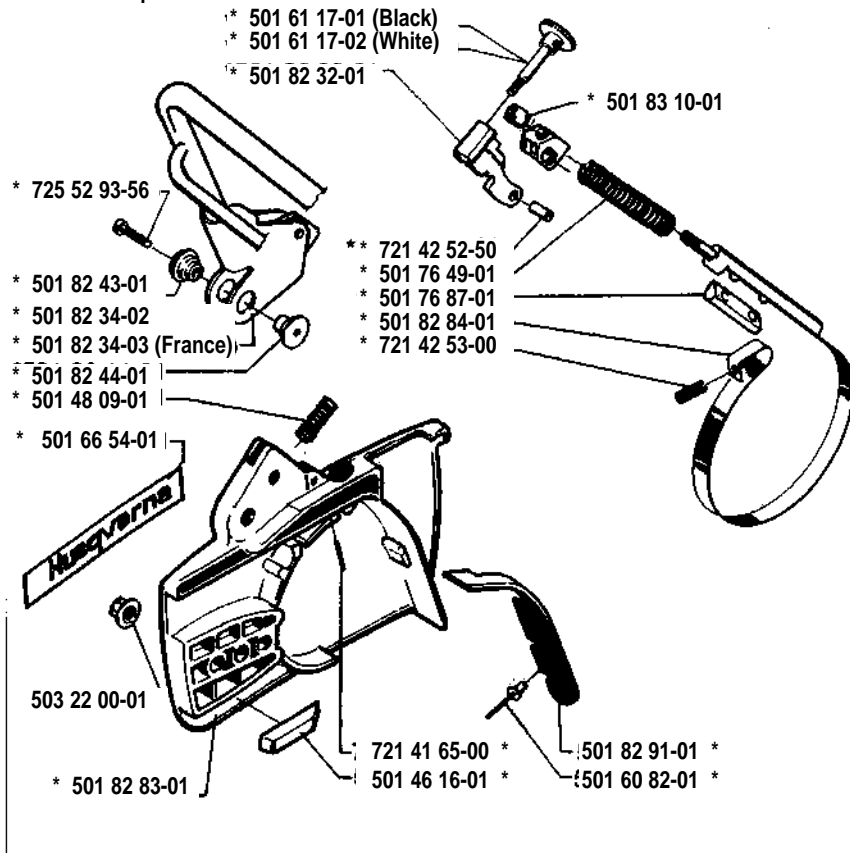
Spare parts

Ersatzteile

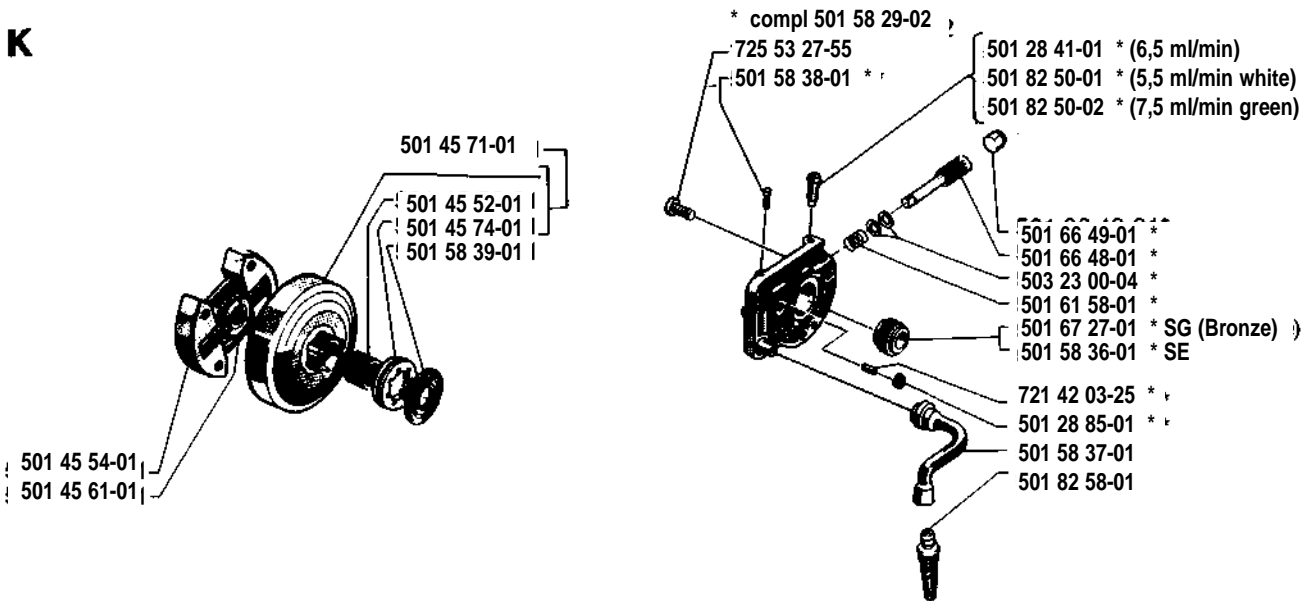
Pièces de rechange

| Beställn.-nummer Part number Best. Nr No de commande | Ruta Box Viereck Carreau | Anm. Remarks Anm. Notes | Beställn.-nummer Part number Best. Nr No de commande | Ruta Box Viereck Carreau | Anm. Remarks Anm. Notes | Beställn.-nummer Part number Best. nr No de commande | Ruta Box Viereck Carreau | Anm. Remarks Anm. Notes |
|---|-----------------------------------|----------------------------------|---|-----------------------------------|----------------------------------|---|-----------------------------------|----------------------------------|
| 501 07 20-01 | S | | 501 49 78-01 | J, P | | 501 82 52-01 | J | |
| 501 07 21-02 | S | | 501 53 05-01 | E | | 501 82 55-01 | E | |
| 501 08 03-80 | R | | 501 53 16-01 | J | | 501 82 58-01 | K | |
| 501 09 12-01 | R | | 501 53 82-02 | F | | 501 82 77-01 | J | |
| 501 09 13-01 | R | | 501 54 15-01 | J | | 501 82 77-02 | J | |
| 501 23 94-01 | B | | 501 54 59-01 | D | | 501 82 81-01 | M | |
| 501 24 82-02 | B | | 501 54 63-01 | L | | 501 82 83-01 | A | |
| 501 25 79-01 | M | | 501 55 27-03 | M | | 501 82 84-01 | A | |
| 501 26 49-01 | E | | 501 55 60-01 | M | | 501 82 91-01 | A | |
| 501 27 82-01 | K | | 501 56 23-01 | J | | 501 83 10-01 | A | |
| 501 28 85-01 | K | | 501 56 41-01 | L | | 501 83 31-01 | E | |
| 501 28 41-01 | K | | 501 57 17-01 | M | | 501 83 44-01 | S | |
| 501 31 40-01 | S | | 501 57 24-01 | F | | 501 90 27-01 | P | |
| 501 41 35-02 | M | | 501 57 44-01 | F, G | | 501 90 28-01 | P | |
| 501 41 37-01 | M | | 501 58 02-01 | S | | 501 90 29-01 | P | |
| 501 43 14-01 | C, H | | 501 58 29-02 | K | | 501 90 30-01 | P | |
| 501 45 16-01 | C, H | | 501 58 38-01 | K | | 501 90 31-01 | P | |
| 501 45 24-01 | C, L | | 501 58 37-01 | K | | 501 90 32-01 | P | |
| 501 45 27-01 | L | | 501 58 38-01 | K | | 501 90 34-01 | P | |
| 501 45 41-01 | L | | 501 58 39-01 | K | | 501 90 36-01 | P | |
| 501 45 43-01 | L | | 501 59 38-03 | E | | 501 90 38-01 | S | |
| 501 45 52-01 | L | | 501 59 40-01 | H | | 501 90 42-01 | S | |
| 501 45 54-01 | K | | 501 59 41-01 | E | | 501 90 44-02 | P | |
| 501 45 61-01 | K | | 501 59 42-02 | L | ② | 501 90 46-02 | P | |
| 501 45 63-01 | D | ② | 501 59 63-01 | B | | 501 90 47-01 | P | |
| 501 45 65-01 | D | ② | 501 59 64-01 | B | | 501 90 50-02 | P | |
| 501 45 66-01 | D | | 501 59 65-01 | B | | 501 90 55-02 | P | |
| 501 45 67-04 | D, N | | 501 59 66-01 | J | | 501 90 61-01 | P | |
| 501 45 71-01 | K | | 501 59 74-01 | J | | 501 90 84-01 | P | |
| 501 45 74-01 | K | | 501 60 02-02 | R | | 501 90 85-01 | P | |
| 501 45 83-01 | E | | 501 60 78-01 | F | | 501 90 88-01 | P | |
| 501 45 85-01 | L | | 501 60 82-01 | A | | 501 90 90-01 | P | |
| 501 46 01-05 | P | | 501 61 17-01 | A | | 501 90 91-01 | P | |
| 501 46 04-01 | M | | 501 61 17-02 | A | | 501 90 92-01 | P | |
| 501 46 07 -02 | M | | 501 61 49-01 | H | | 501 90 95-01 | P | |
| 501 46 09-01 | M | | 501 61 50-02 | H | | 501 90 95-01 | P | |
| 501 46 09-03 | M | | 501 61 58-01 | K | | 501 90 97-01 | P | |
| 501 46 16-01 | A, L | | 501 62 44-01 | L | | 501 90 98-01 | P | |
| 501 46 26-02 | N | | 501 63 02-01 | M | | 503 20 00-01 | E | |
| 501 46 29-01 | E | | 501 63 03-01 | M | | 503 20 00-21 | J | |
| 501 46 44-01 | C | ② | 501 63 48-01 | J | | 503 20 20-01 | L | |
| 501 46 53-01 | N | | 501 63 88-04 | F | | 503 20 40-01 | J | |
| 501 46 54-01 | N | | 501 63 89-01 | G | | 503 20 40-02 | J | |
| 501 46 57-01 | J | | 501 66 10-80 | L | | 503 20 40-03 | E | |
| 501 46 58-01 | J | | 501 66 13-71 | C | | 503 20 80-06 | J | |
| 501 46 67-01 | N | | 501 66 17-01 | J | | 503 20 80-07 | C | |
| 501 46 68-01 | N | | 501 66 18-01 | C | | 503 20 90-01 | C | |
| 501 46 69-01 | N | | 501 66 21-02 | C | | 503 20 90-02 | C | |
| 501 46 70-01 | N | | 501 66 21-03 | C | | 503 22 00-01 | C | |
| 501 46 71-02 | N | | 501 66 21-04 | C | | 503 22 20-01 | A, J | |
| 501 46 72-02 | N | | 501 66 23-03 | C | | 503 23 00-04 | K | |
| 501 46 73-01 | N | | 501 66 23-04 | B | | 503 23 00-05 | J | |
| 501 46 74-03 | N | | 501 66 36-01 | P | | 503 23 00-11 | M | |
| 501 46 75-01 | N | | 501 66 37-01 | C | | 503 23 50-11 | C | |
| 501 46 76-02 | N | | 501 66 38-01 | B | | 503 28 02-02 | J | |
| 501 46 78-01 | N | | 501 66 39-01 | B | | 504 18 45-01 | P | |
| 501 46 80-02 | N | | 501 66 41-01 | D | | 505 69 81-00 | S | |
| 501 46 81-01 | N | | 501 66 45-01 | E | | 720 13 07-10 | L | |
| 501 46 82-01 | N | | 501 66 48-01 | D | | 721 41 65-00 | A | |
| 501 46 83-02 | N | | 501 66 49-01 | K | | 721 41 89-25 | E | |
| 501 46 84-01 | N | | 501 66 53-01 | K | | 721 42 03-25 | K | |
| 501 46 85-01 | N | | 501 66 54-01 | B | | 721 42 30-50 | L | |
| 501 46 86-01 | N | | 501 67 27-01 | A | | 721 42 52-50 | A | |
| 501 46 87-01 | N | | 501 67 28-01 | K | | 721 42 53-00 | A | |
| 501 46 88-01 | N | | 501 67 32-01 | E | | 721 42 53-25 | E | |
| 501 46 89-01 | N | | 501 67 33-02 | J | | 721 43 05-26 | P | |
| 501 46 90-02 | N | | 501 67 67-01 | R | | 723 12 24-01 | G | |
| 501 46 91-01 | N | | 501 68 13-01 | C | ② | 723 13 25-01 | M | |
| 501 46 92-03 | N | | 501 68 15-02 | L | | 723 13 29-55 | P | |
| 501 46 94-04 | N | | 501 68 37-02 | J | | 725 52 93-56 | G | |
| 501 46 95-02 | N | | 501 68 68-01 | J | | 725 52 97-55 | A | |
| 501 46 98-01 | N | | 501 68 69-01 | L | | 725 53 25-56 | J | |
| 501 47 55-01 | L | | 501 69 17-01 | R | | 725 53 27-55 | M | |
| 501 47 79-02 | D | | 501 69 58-01 | R | | 725 53 32-55 | K | |
| 501 47 80-02 | D | | 501 76 49-01 | F | | 725 53 35-55 | C | |
| 501 47 81-01 | D | | 501 76 87-01 | A | | 725 53 40-55 | L | |
| 501 48 09-01 | A | | 501 81 35-01 | A | | 725 53 70-01 | L | |
| 501 48 54-01 | J | | 501 82 08-01 | J | | 729 22 19-01 | P | |
| 501 48 55-01 | J | | 501 82 09-01 | E | | 729 22 75-05 | J | |
| 501 48 56-01 | J | | 501 82 10-01 | M | | 731 29 16-01 | P | |
| 501 48 92-01 | J | | 501 82 23-01 | M | | 731 23 18-01 | J | |
| 501 49 05-61 | J | | 501 82 30-03 | E | | 732 21 14-61 | D | |
| 501 49 14-02 | J | | 501 82 30-05 | A | | 734 48 51-01 | J | |
| 501 49 17-01 | J | | 501 82 32-01 | A | | 735 11 24-01 | J | |
| 501 49 22-02 | J | | 501 82 34-02 | A | | 735 11 46-50 | L, M | |
| 501 49 23-02 | J | | 501 82 34-03 | A | | 735 11 64-50 | J | |
| 501 49 24-02 | J | | 501 82 43-01 | A | | 735 21 46-50 | G | |
| 501 49 27-01 | J | | 501 82 44-01 | A | | 735 31 07-20 | J | |
| 501 49 61-61 | J | | 501 82 48-01 | A | | 735 88 04-00 | P | |
| 501 49 66-01 | E | | 501 82 49-01 | P | | 738 22 01-25 | H | |
| 501 49 67-01 | E | | 501 82 50-01 | K | | 740 42 05-00 | H | |
| 501 49 68-01 | E | | 501 82 50-02 | M | | 740 42 22-00 | P | |
| 501 49 75-01 | J | | 501 82 51-01 | M | | | J | |

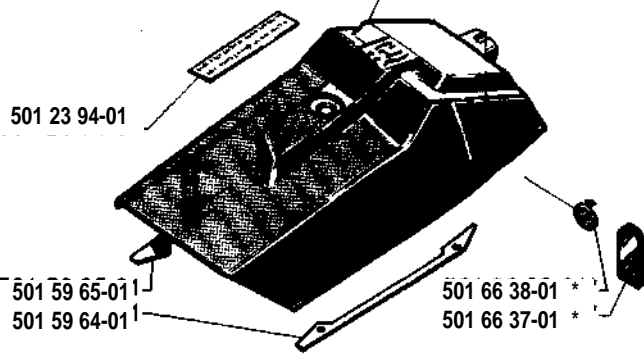
A * compl 501 82 30-05 (France)
 * compl 501 82 30-03



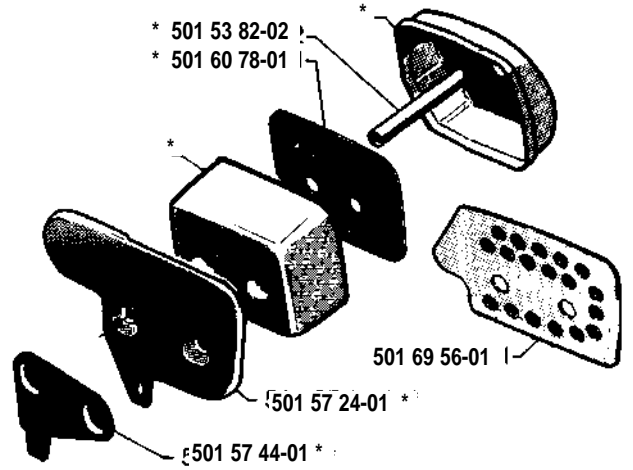
K



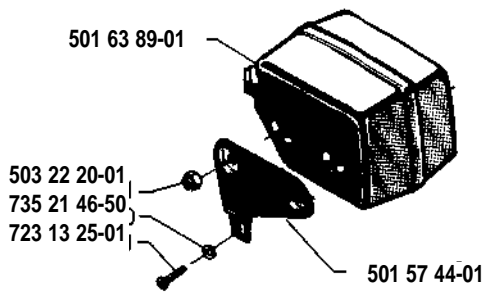
B * compl 501 66 23-03 ;



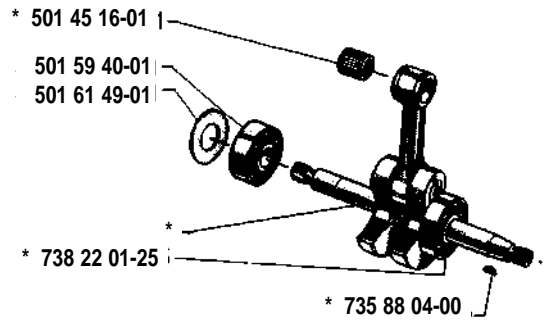
F * compl 501 63 88-04 4



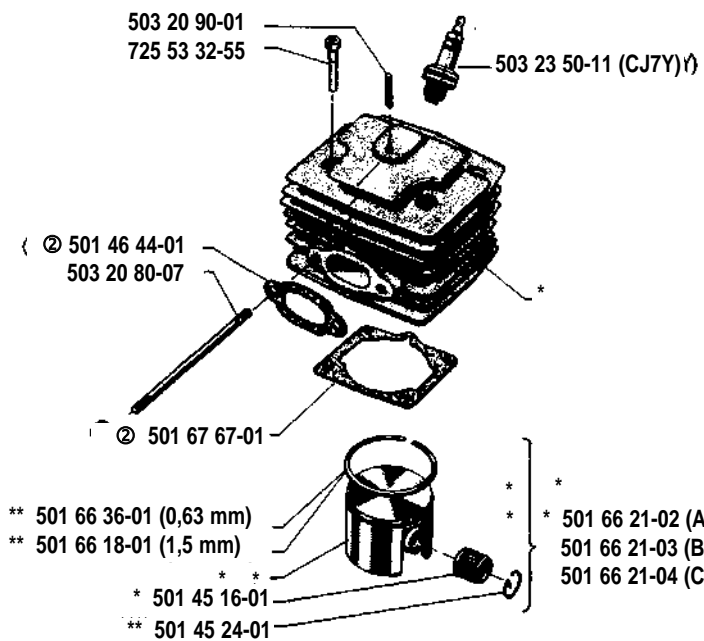
G



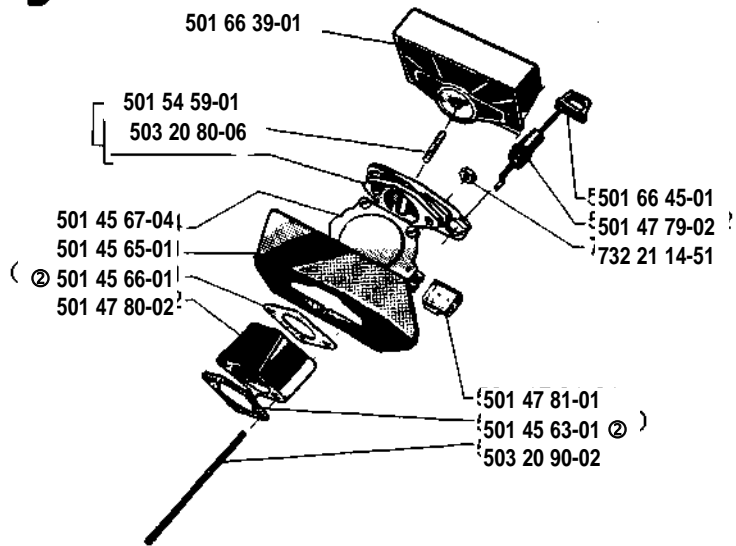
H * * compl 501 61 50-02?



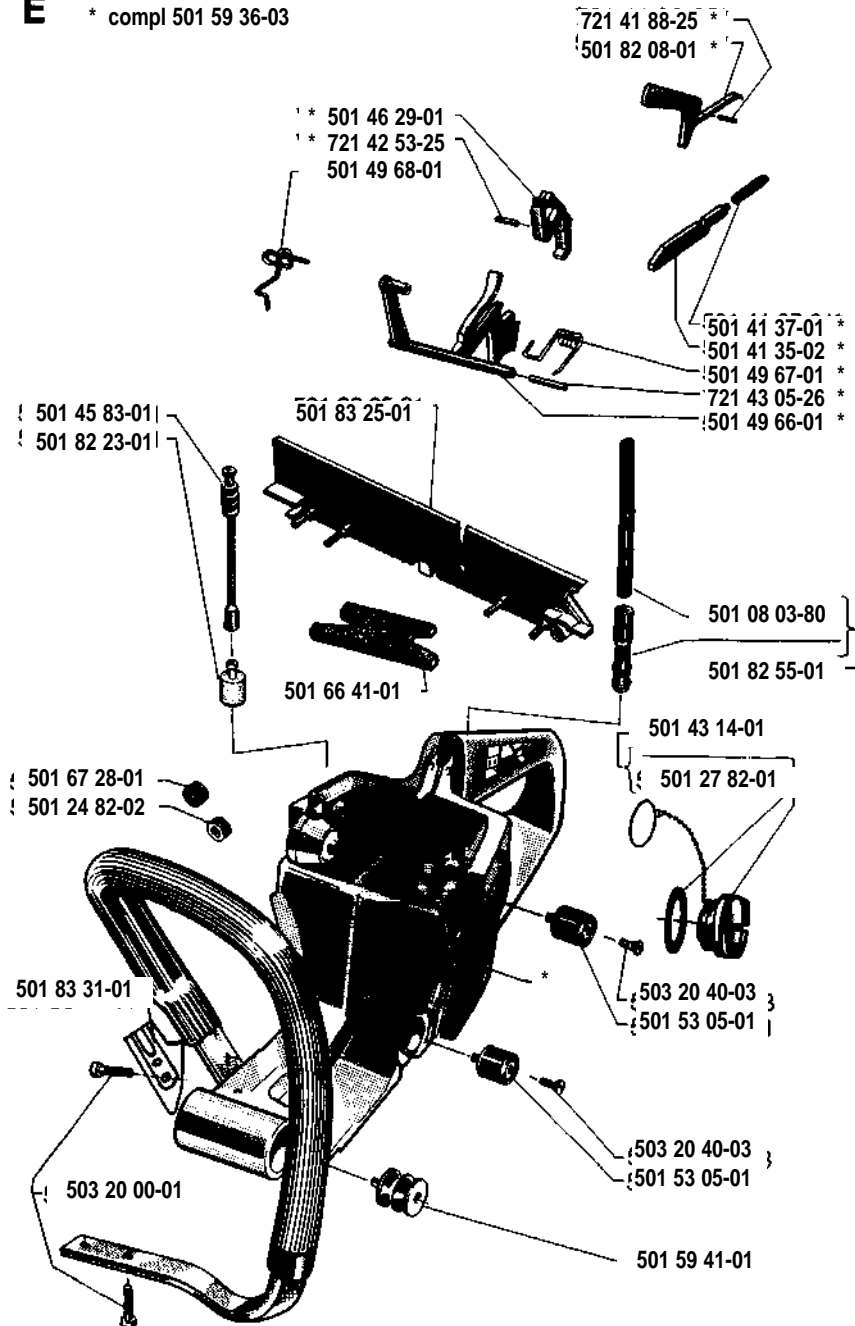
C * compl 501 66 13-71



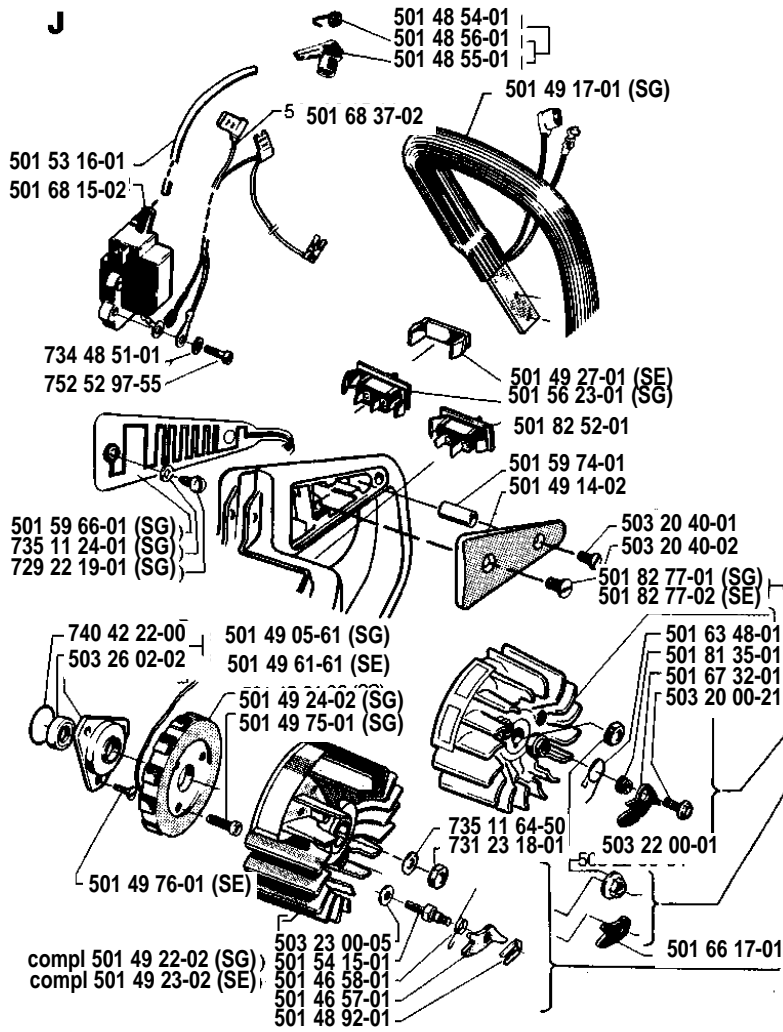
D



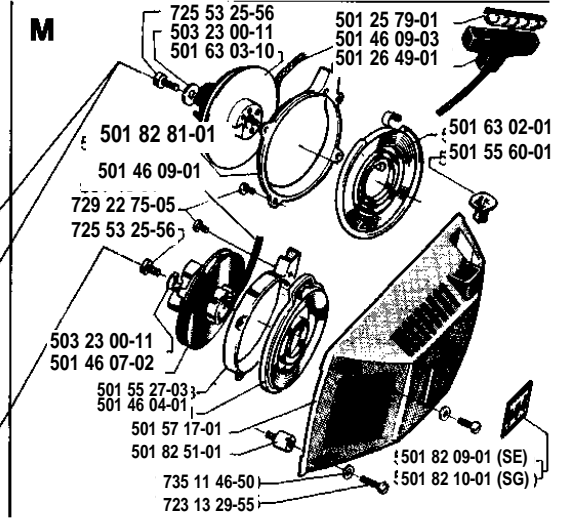
E * compl 501 59 36-03



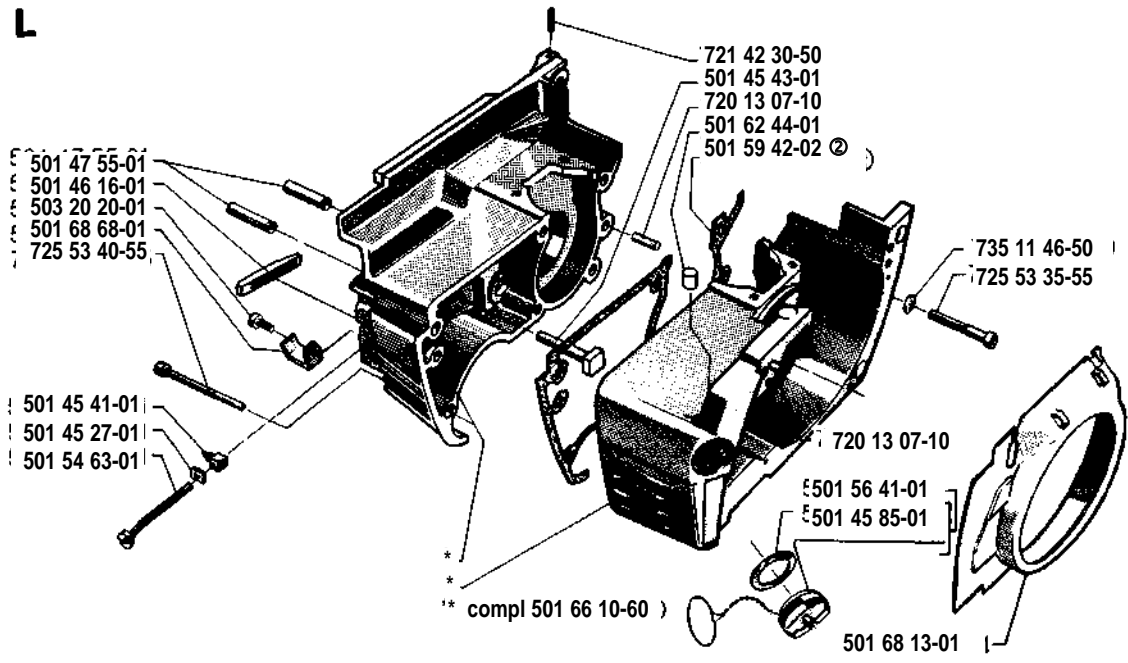
J



M

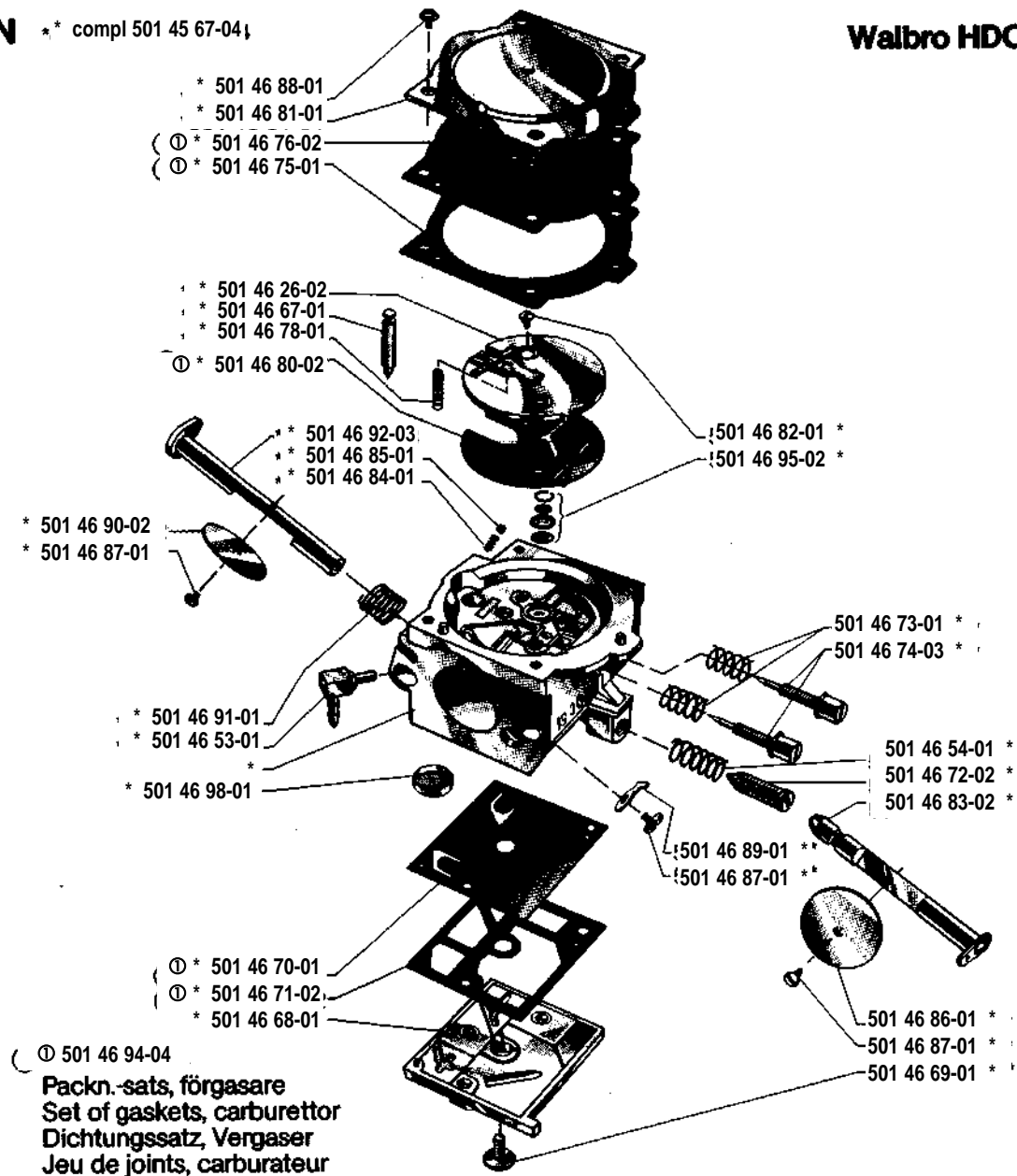


L



N ** compl 501 45 67-04

Walbro HDC 51



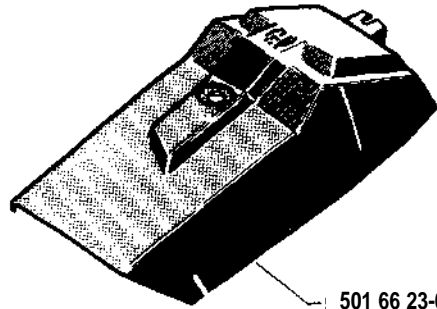
P

* compl 501 90 95-01 *

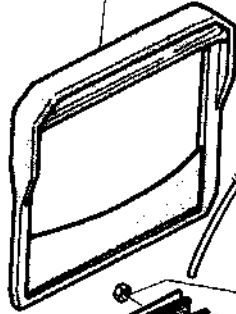
501 90 95-01

501 90 85-01 *

501 90 88-01

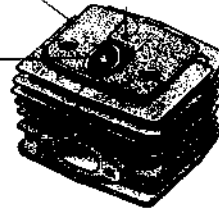


501 66 23-04

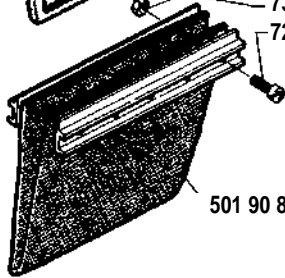


501 90 44-02 2
501 90 50-02 2

501 90 98-01 *

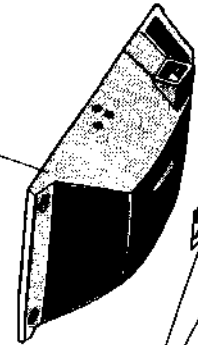


731 23 16-01 *
725 53 70-01 *



501 90 84-01 *1*

501 90 61-01
501 46 01-05



501 82 48-01 (FE)
501 82 49-01 (FG)

* compl 501 90 55-02 *

501 90 91-01 *

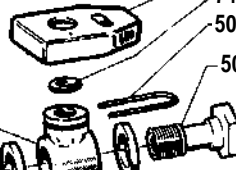
740 42 05-00 *

501 90 90-01 *

501 90 38-01 *

* 501 90 97-01

* 504 18 45-01



501 90 97-01 1

735 31 07-20 *

501 90 36-01 *

501 90 30-01 *

* 723 12 24-01

* 501 90 34-01

* 501 90 34-01

501 90 47-01

501 90 46-02

501 49 76-01

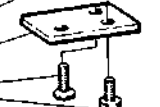
* 501 90 32-01

* 501 90 27-01

* 501 90 29-01

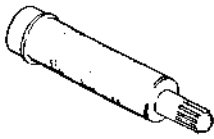
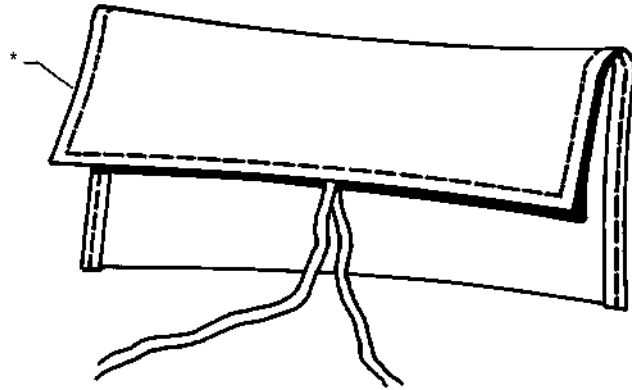
* 501 90 28-01

* 501 90 31-01



R * compl 501 67 33-02

**Tillbehör
Accessories
Zubehöre
Accessoires
Accesorios
Pomůcky**



* 501 09 13-01



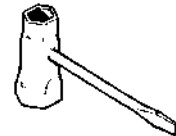
* 501 09 12-01



* 501 60 02-02



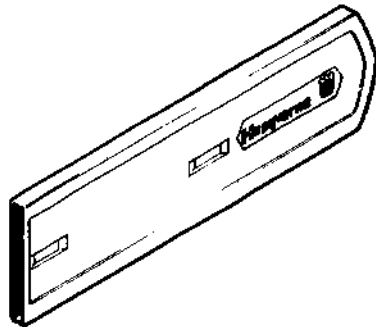
* 501 68 89-01



*501 69 17-01 |

S

Leveras endast som reservdel
Delivery as spare part only
Nur als Ersatzteil lieferbar
Livrabie seulement comme pièce de rechange
Solo como repuesto



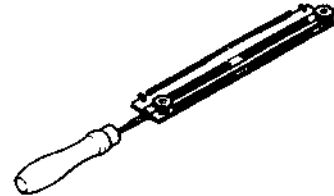
501 83 44-01
(13"-15"-16") |



501 31 40-01



501 90 42-01



501 58 02-01



€ 501 07 21-02 (3/16"x8) |



501 07 20-01 (6")



505 69 81-00 |