

575 XP

570

575 XP EPA

570 EPA

Spare parts

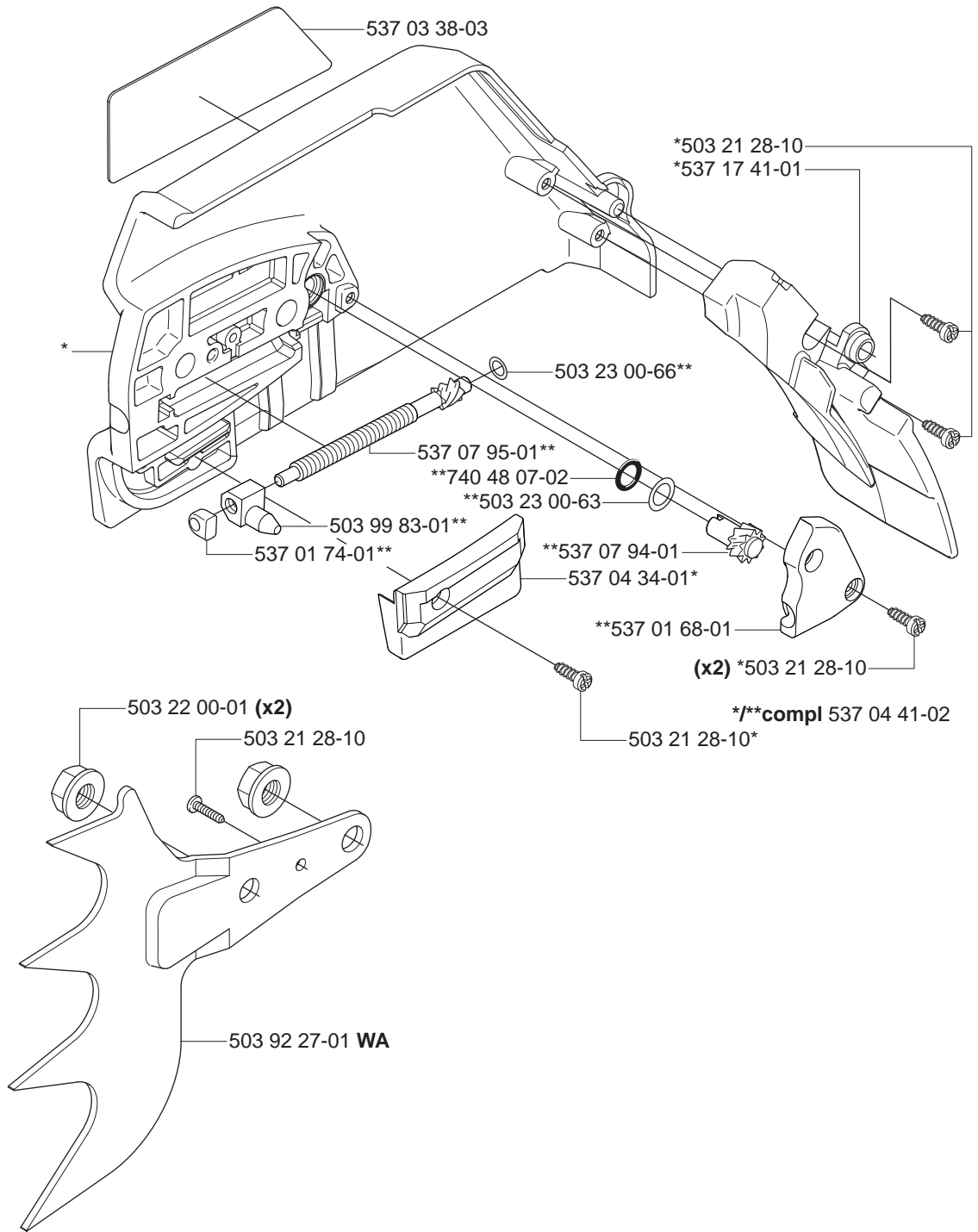
Ersatzteile

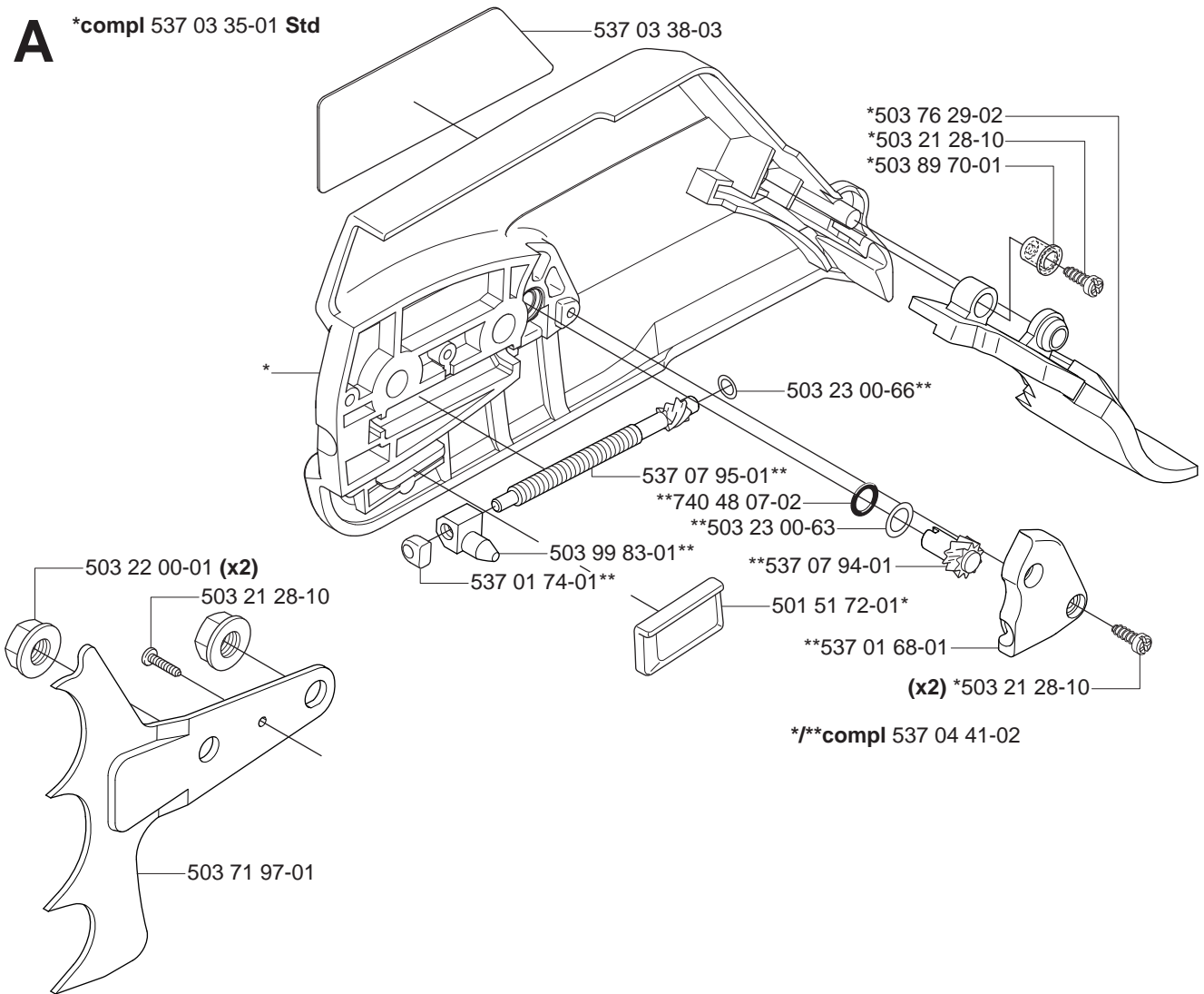
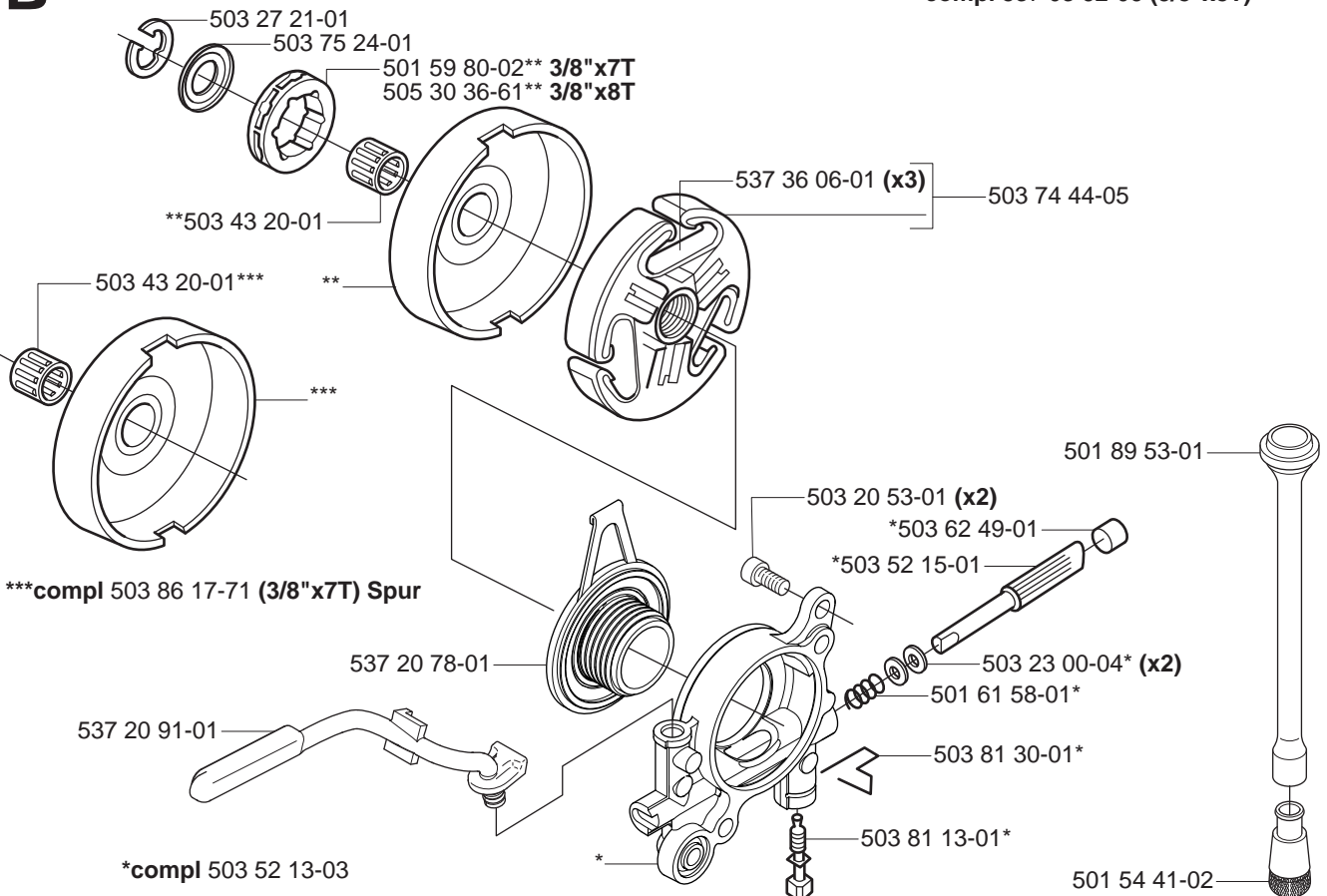
Pièces détachées

Reserve onderdelen

Repuestos

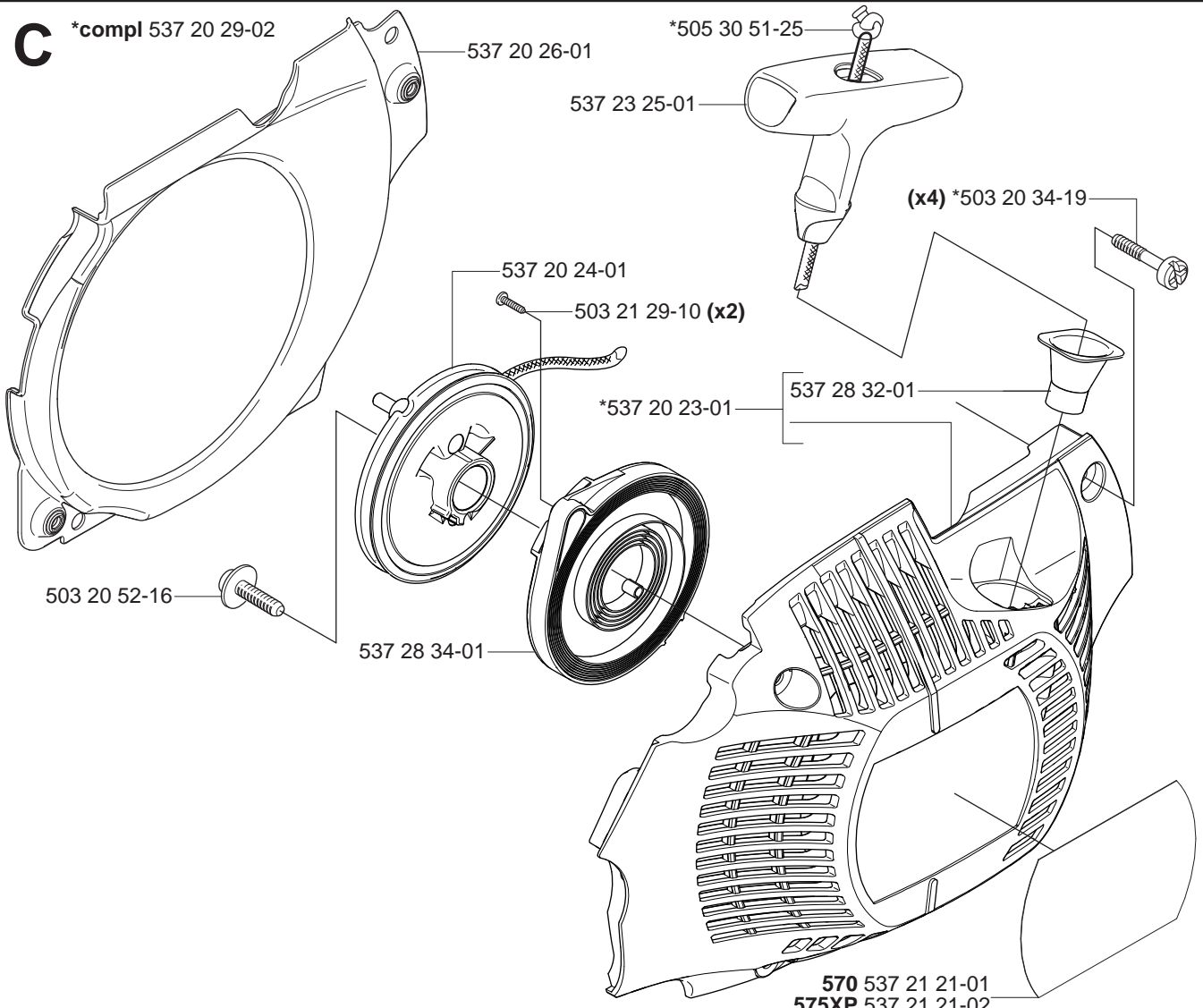
Reservdelar

A***compl 537 33 10-01 WA**

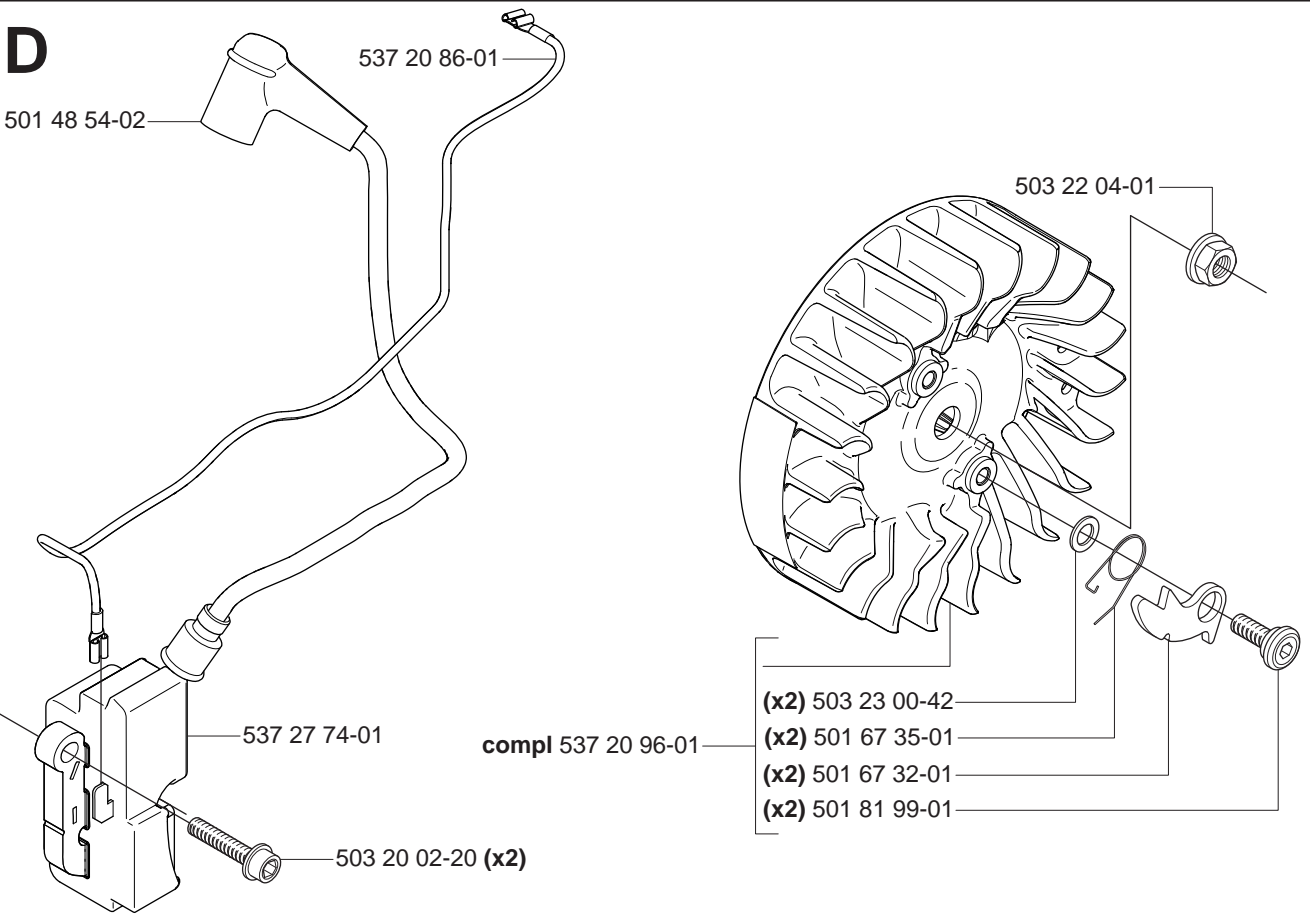
A***compl 537 03 35-01 Std****B******compl 537 03 62-05 (3/8"x7T)******compl 537 03 62-06 (3/8"x8T)**

C

*compl 537 20 29-02



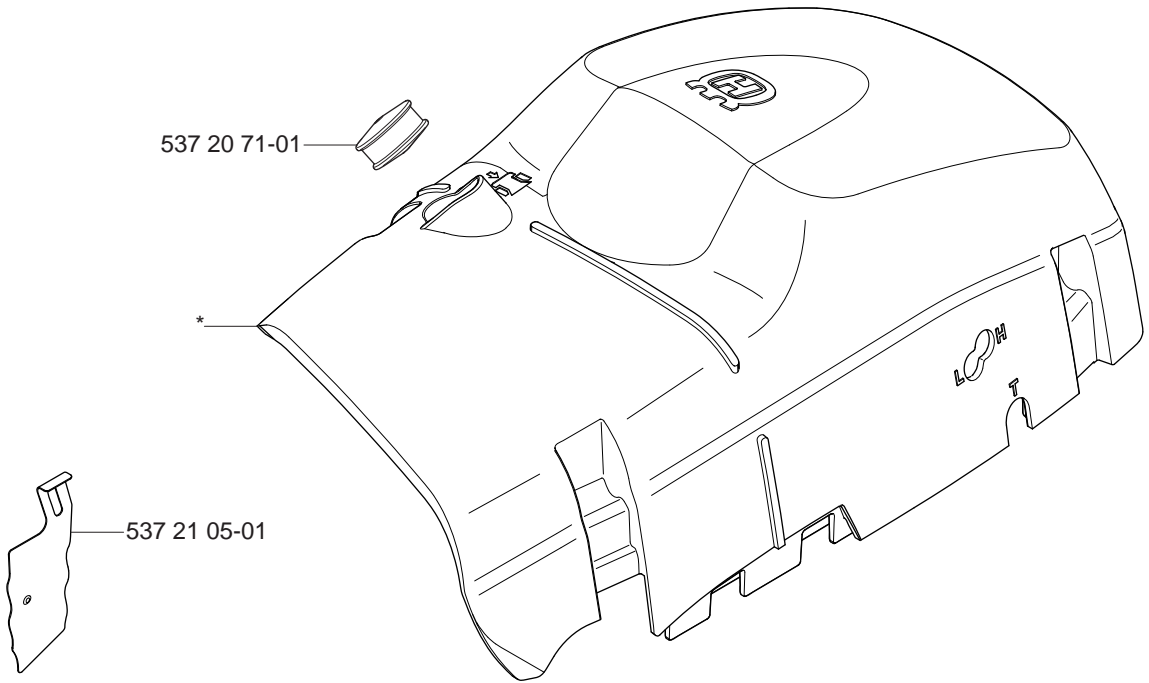
D



E *compl 537 21 25-01



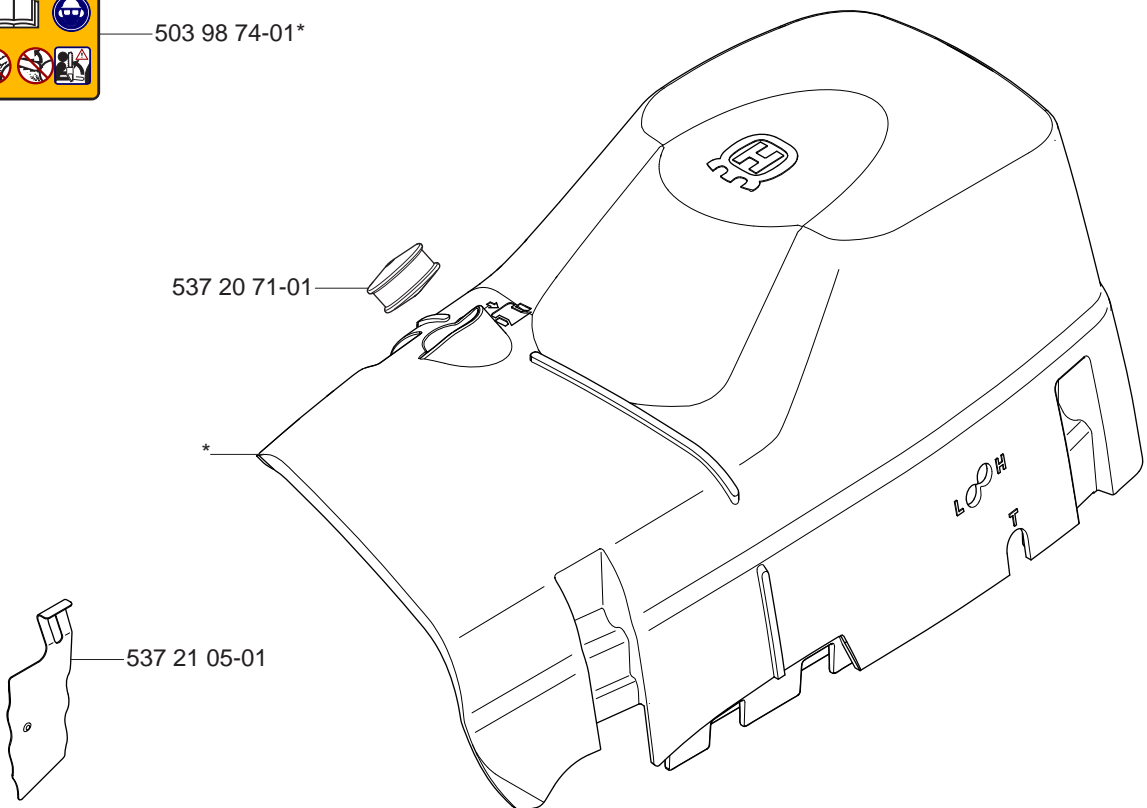
503 98 74-01*



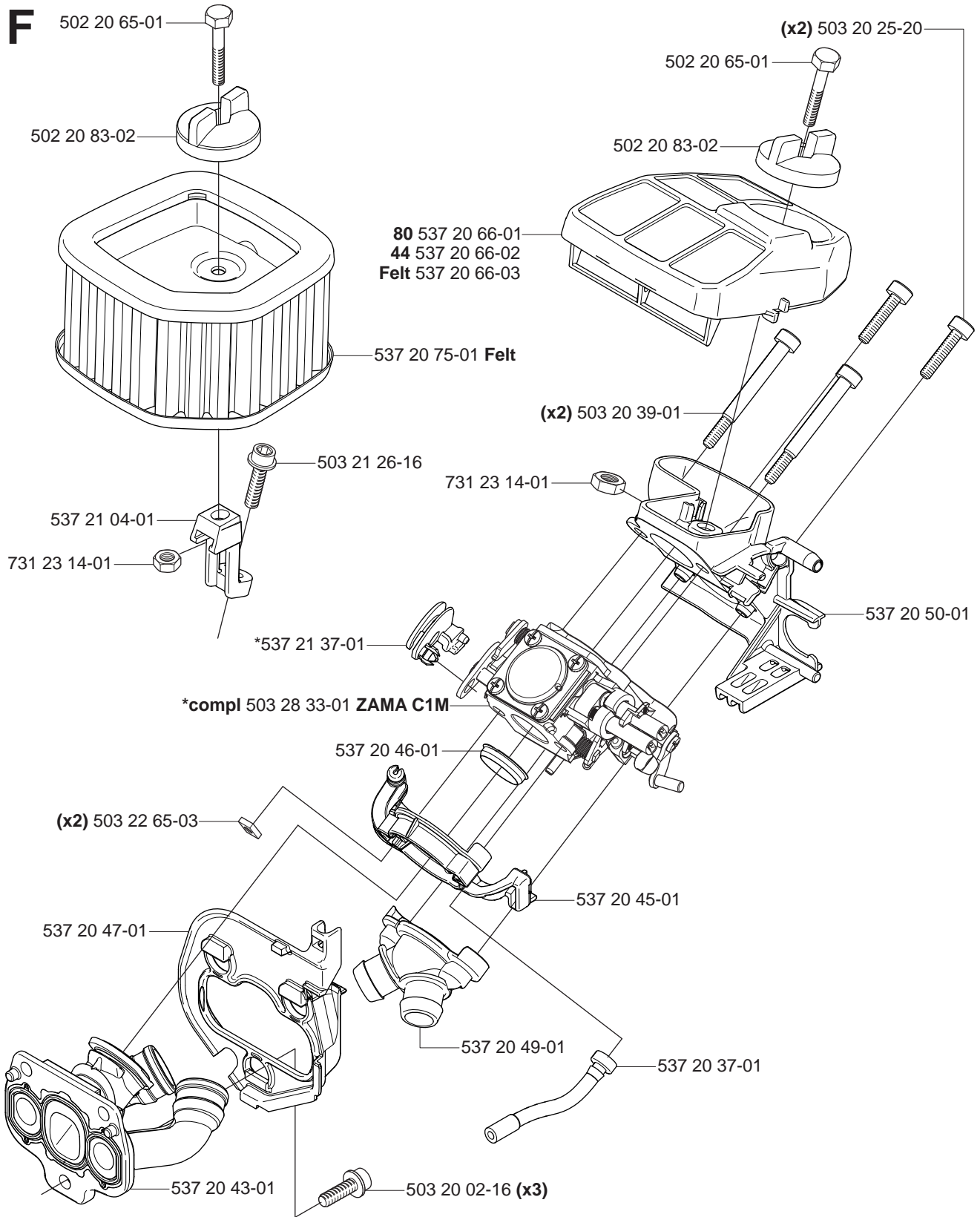
E *compl 537 21 25-02



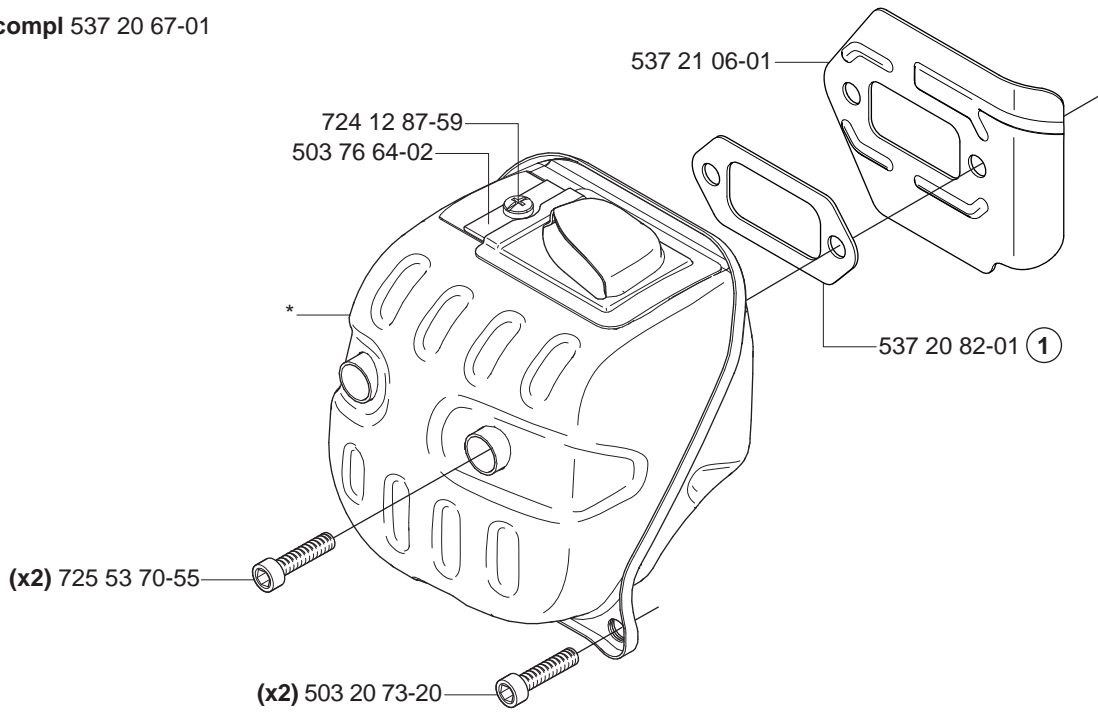
503 98 74-01*



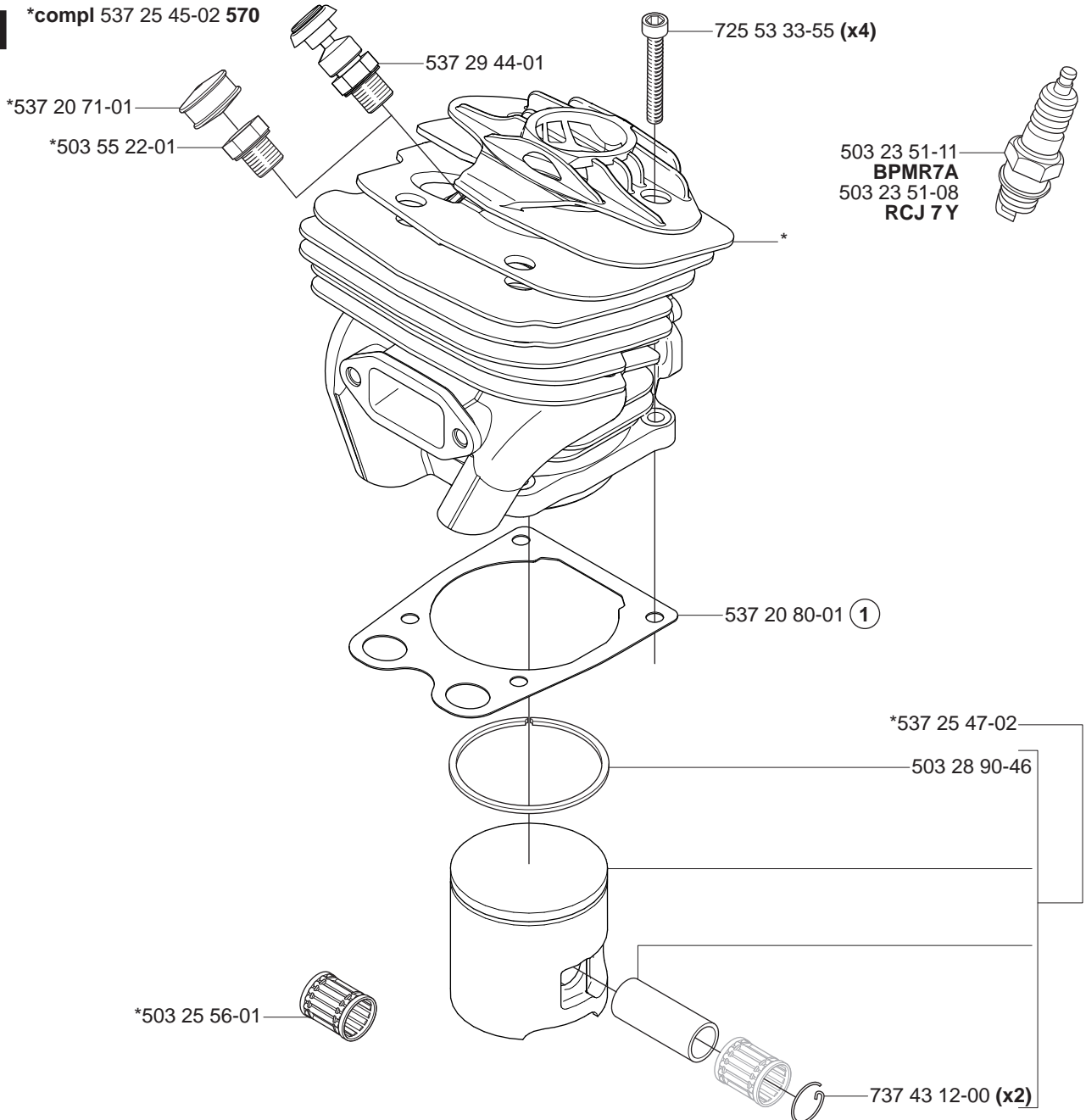
F



G *compl 537 20 67-01

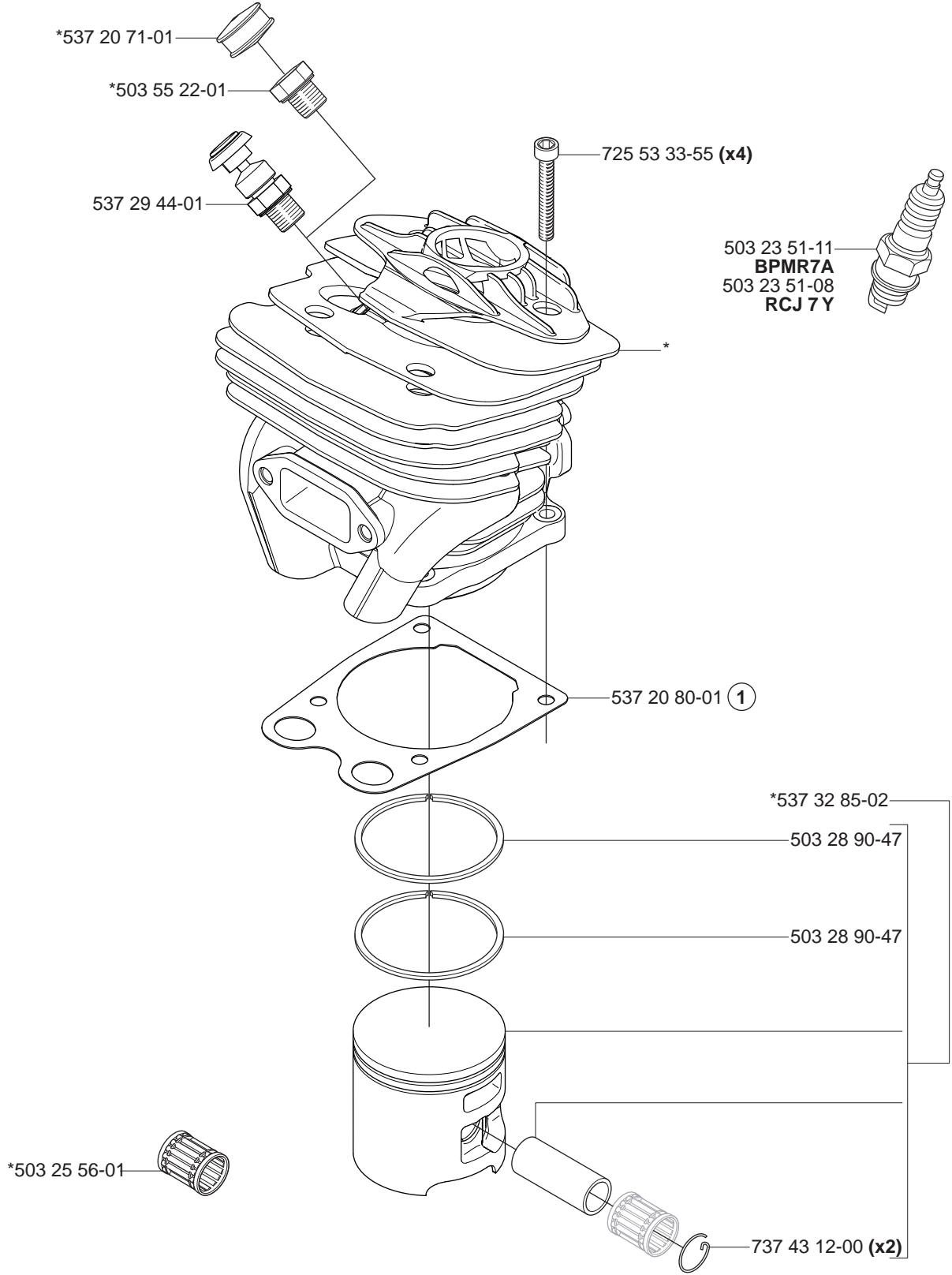


H *compl 537 25 45-02 570



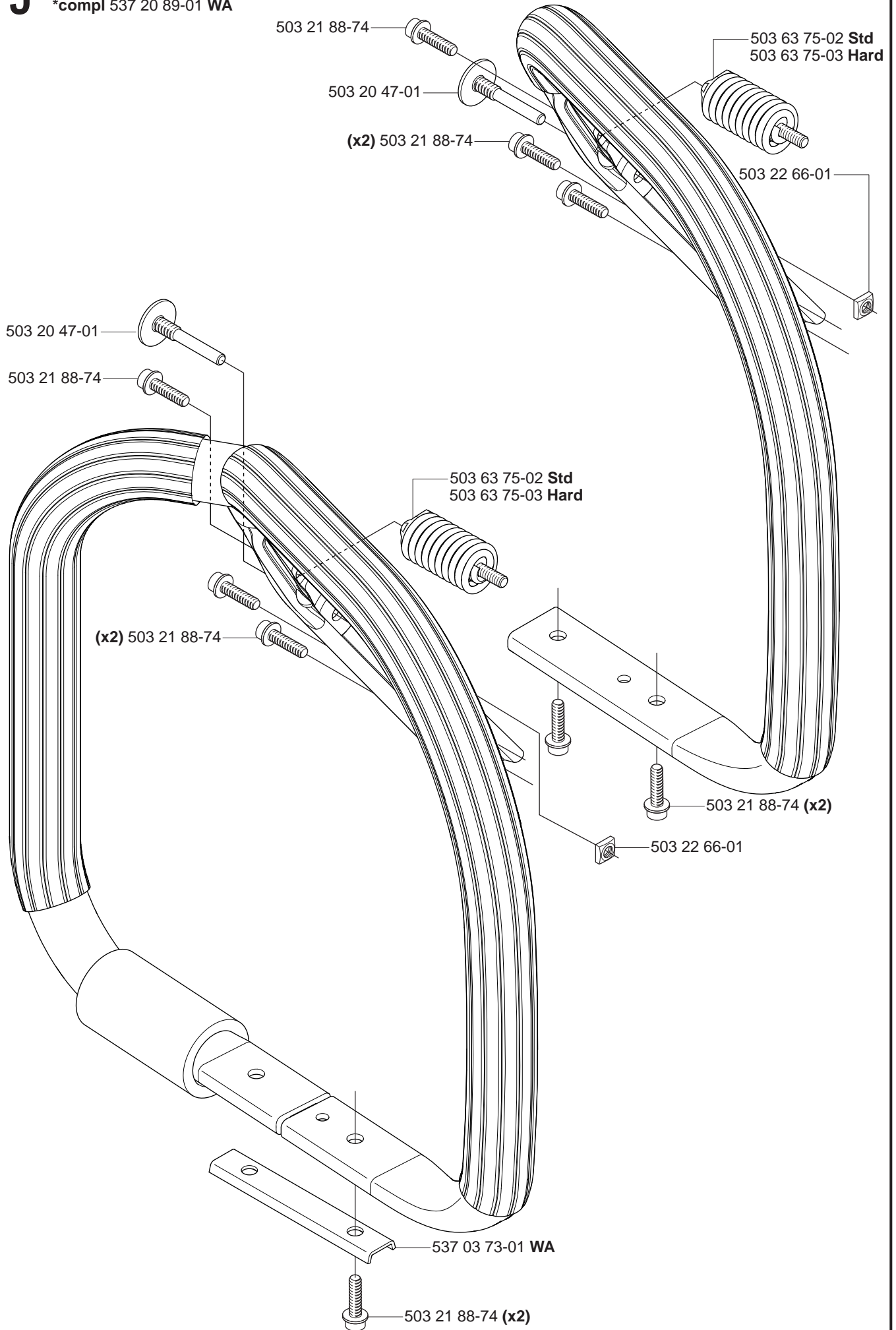
H

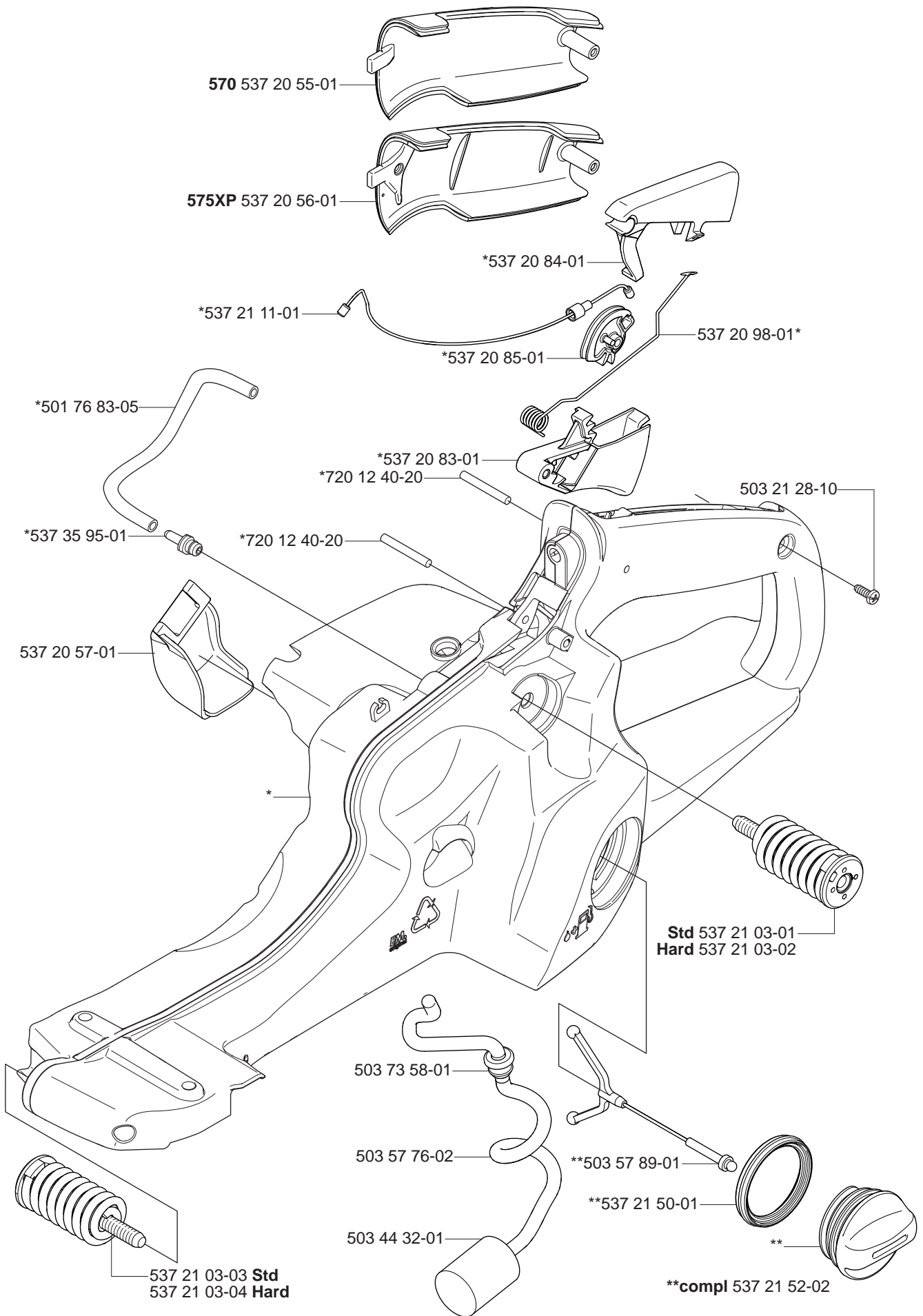
*compl 537 25 41-02 575XP



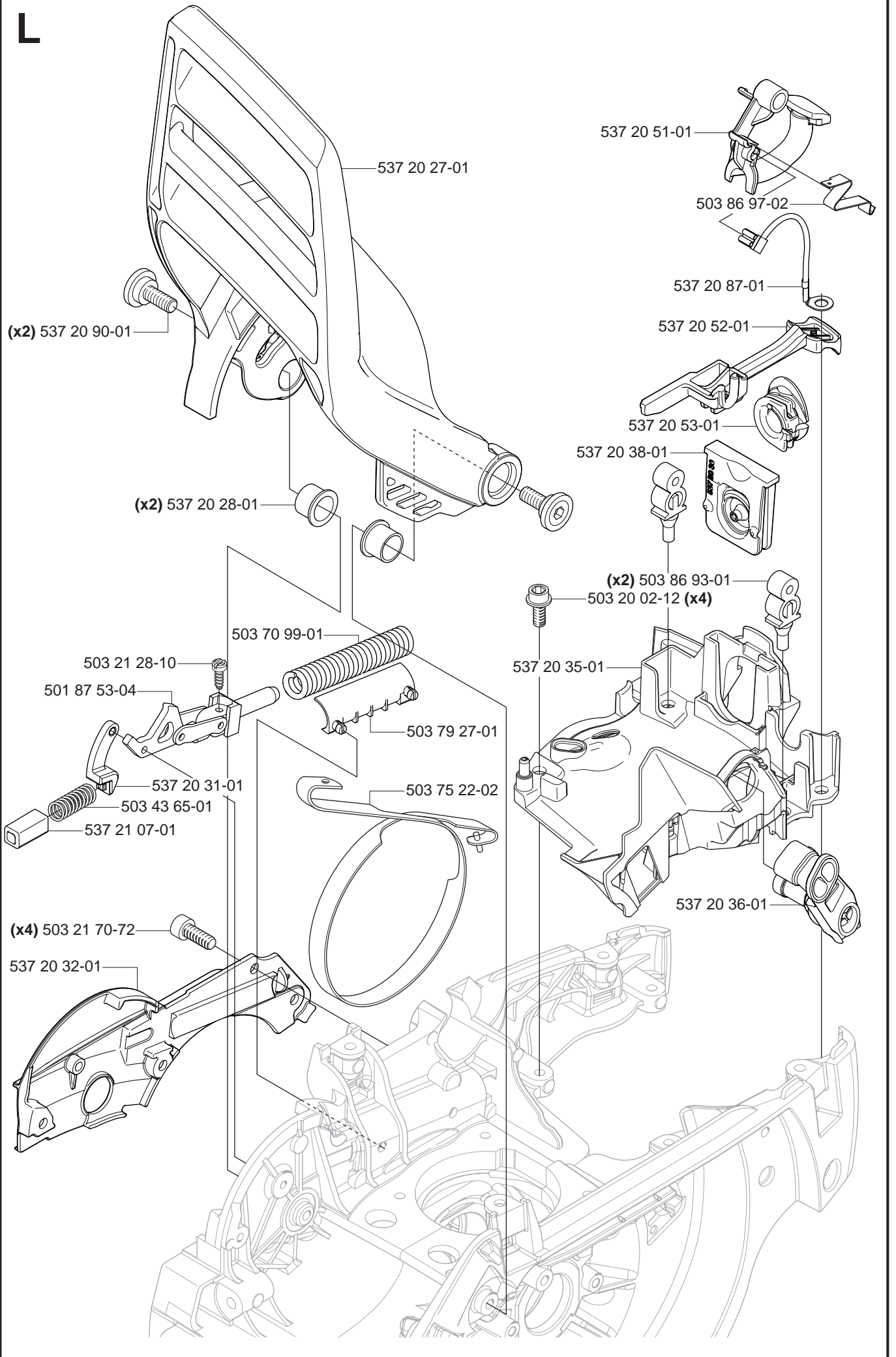
J

*compl 537 20 59-01
*compl 537 20 89-01 WA

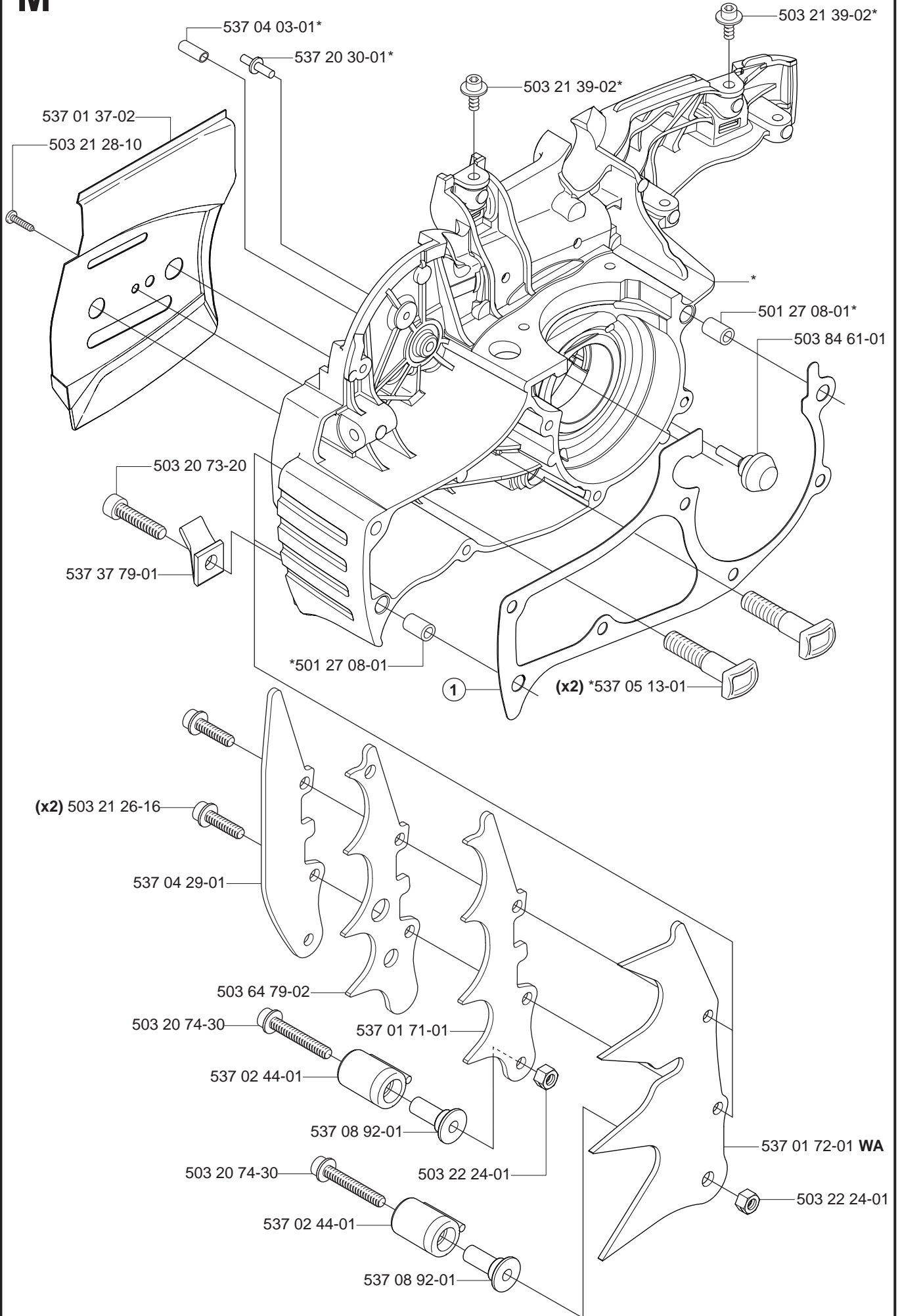


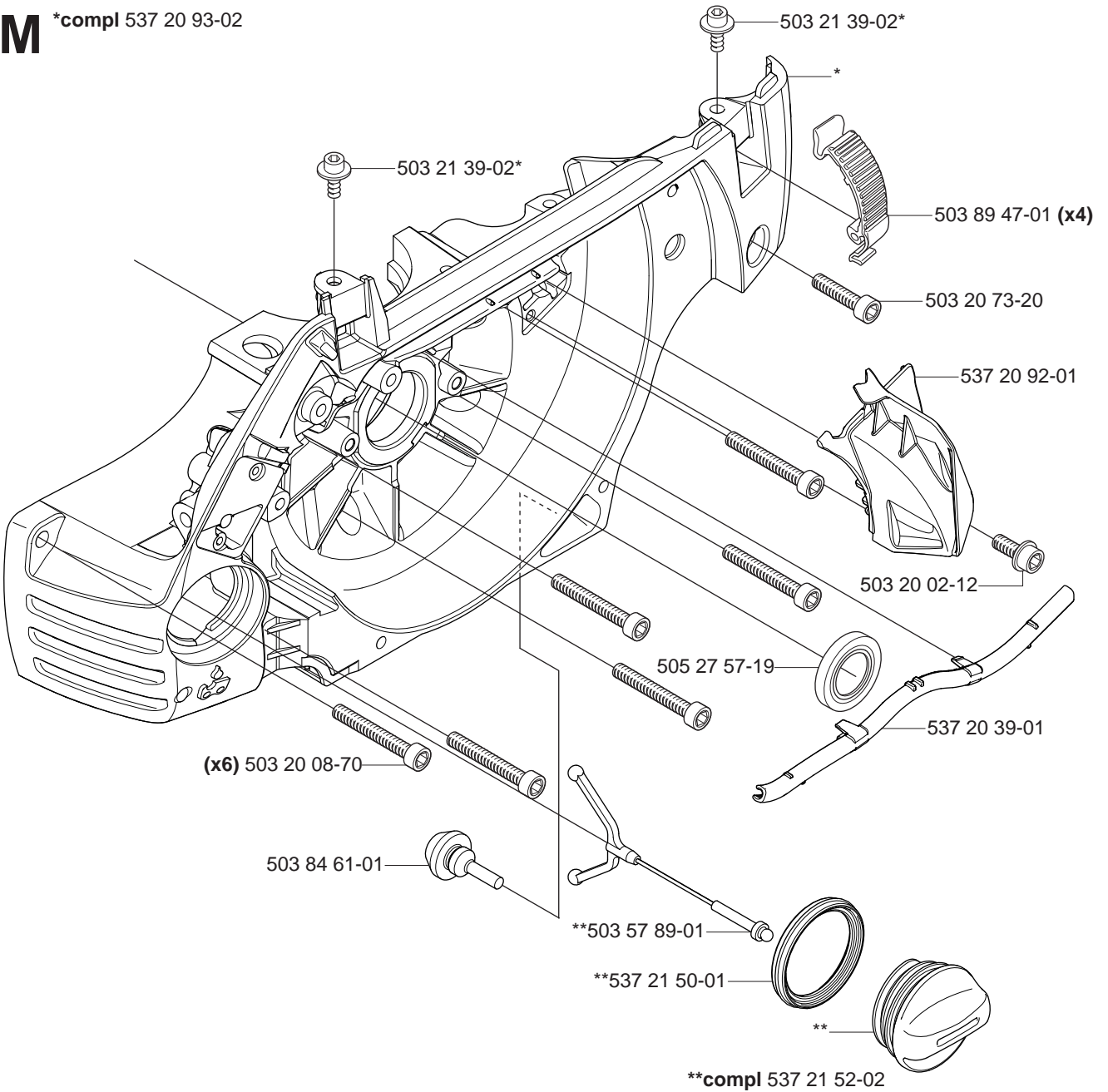
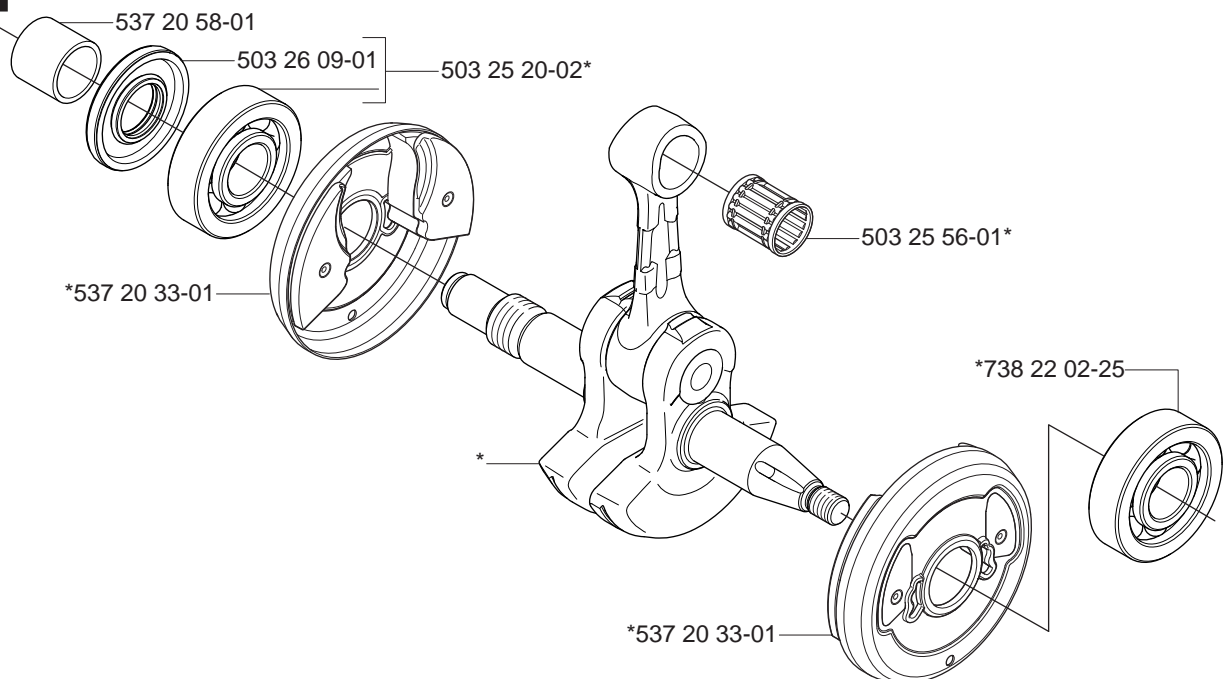


L



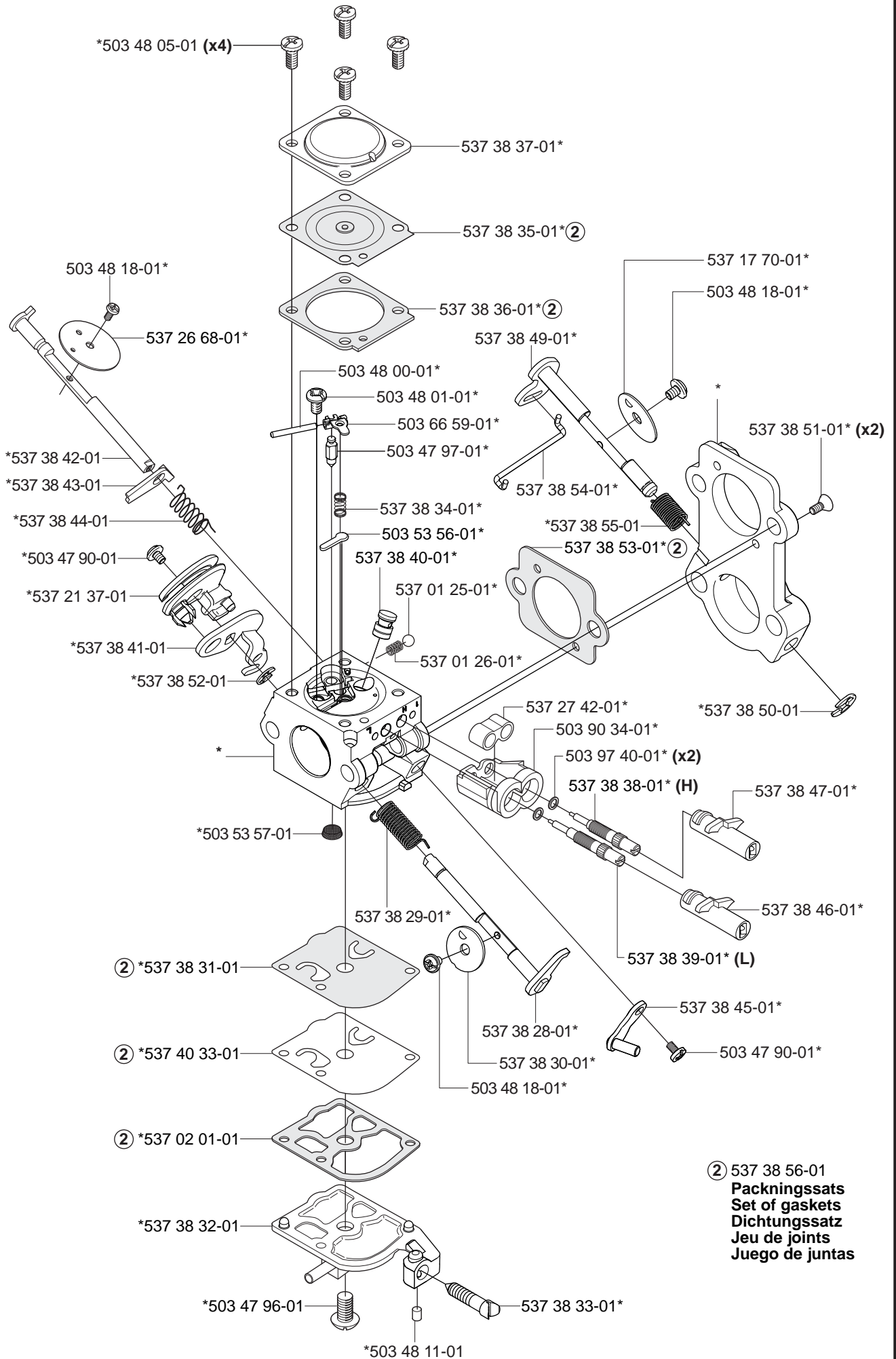
M *compl 537 20 93-02



M***compl 537 20 93-02****N*****compl 537 30 61-02**

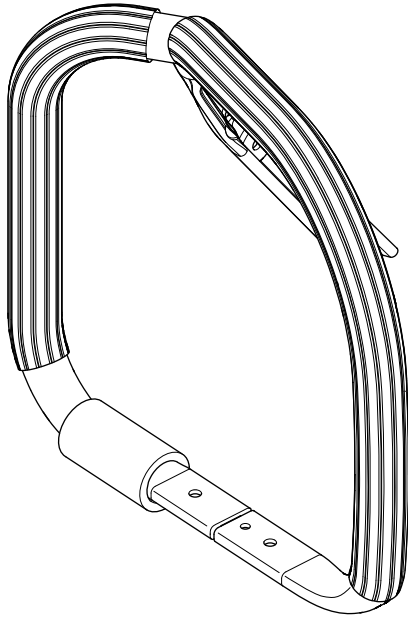
P

*compl 503 28 33-01 ZAMA C1M-EL28

ZAMA C1M-EL28

(2) 537 38 56-01
Packningssats
Set of gaskets
Dichtungssatz
Jeu de joints
Juego de juntas

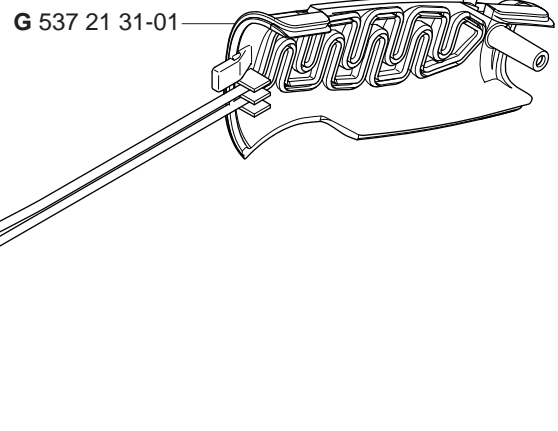
Q



compl 537 20 89-02 WA G



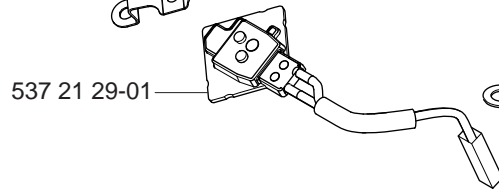
compl 537 20 59-02 G



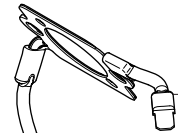
G 537 21 31-01



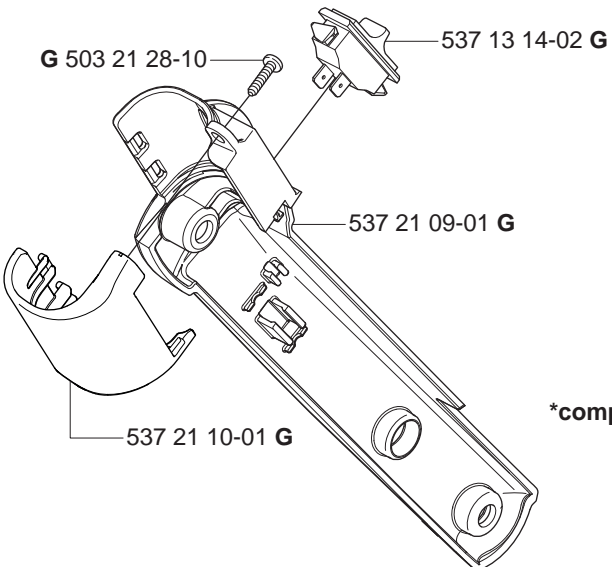
537 21 08-01



537 21 29-01



537 21 28-01

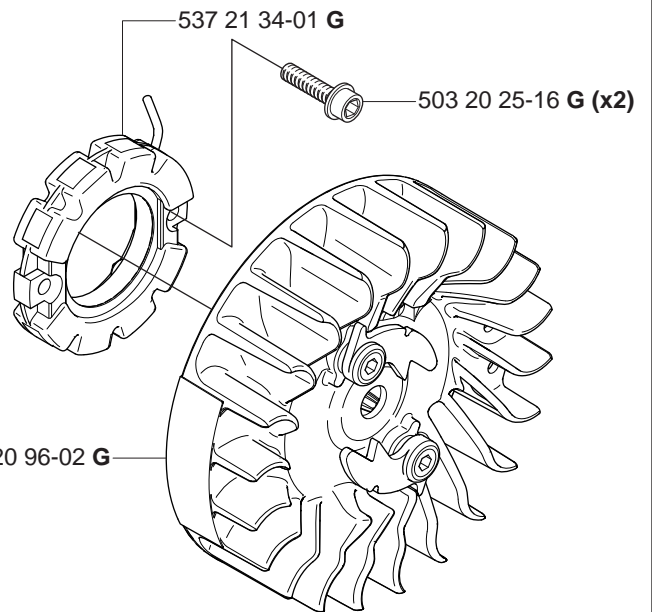


G 503 21 28-10

537 13 14-02 G

537 21 09-01 G

537 21 10-01 G

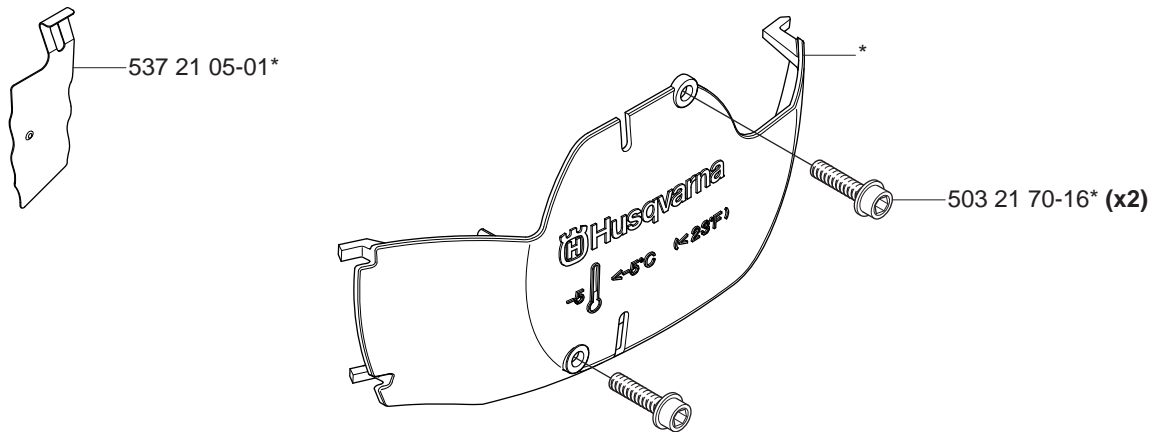


537 21 34-01 G

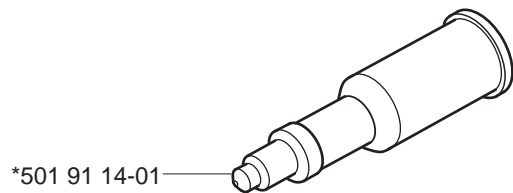
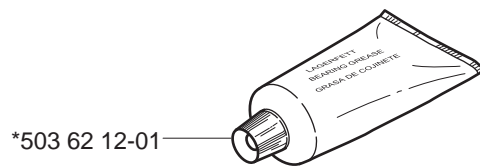
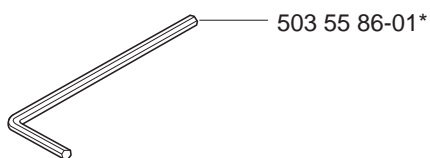
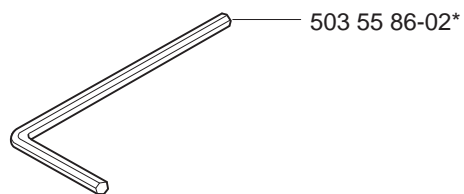
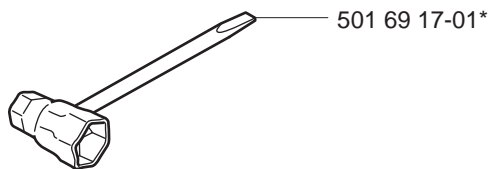
503 20 25-16 G (x2)

***compl 537 20 96-02 G**

R WINTER KIT
*compl 537 21 24-01



S Tillbehör
Accessories
Zubehöre
Accessoires
Accesorios
*compl 503 55 85-01



PART NUMBER	SQUARE NOTE	PART NUMBER	SQUARE NOTE	PART NUMBER	SQUARE NOTE	PART NUMBER	SQUARE NOTE
501 27 08-01	M	503 53 57-01	P	537 20 31-01	L	537 21 35-04	K
501 48 54-02	D	503 55 22-01	H	537 20 32-01	L	537 21 37-01	F P
501 51 72-01	A	503 55 85-01	S	537 20 33-01	N	537 21 50-01	K M
501 54 41-02	B	503 55 86-01	S	537 20 35-01	L	537 21 52-02	K M
501 59 80-02	B	503 55 86-02	S	537 20 36-01	L	537 23 25-01	C
501 61 58-01	B	503 57 76-02	K	537 20 37-01	F	537 25 41-02	H
501 67 32-01	D	503 57 89-01	K M	537 20 38-01	L	537 25 45-02	H
501 67 35-01	D	503 62 12-01	S	537 20 39-01	M	537 25 47-02	H
501 69 17-01	S	503 62 49-01	B	537 20 43-01	F	537 26 68-01	P
501 76 83-05	K	503 63 75-02	J	537 20 45-01	F	537 27 42-01	P
501 81 99-01	D	503 63 75-03	J	537 20 46-01	F	537 27 74-01	D
501 87 53-04	L	503 64 79-02	M	537 20 47-01	F	537 28 32-01	C
501 89 53-01	B	503 66 59-01	P	537 20 49-01	F	537 28 34-01	C
501 91 14-01	S	503 70 99-01	L	537 20 50-01	F	537 29 44-01	H
502 20 65-01	F	503 71 97-01	A	537 20 51-01	L	537 30 61-02	N
502 20 83-02	F	503 73 58-01	K	537 20 52-01	L	537 32 85-02	H
503 20 02-12	L M	503 74 44-05	B	537 20 53-01	L	537 33 10-01	A
503 20 02-16	F	503 75 22-02	L	537 20 55-01	K	537 35 95-01	K
503 20 02-20	D	503 75 24-01	B	537 20 56-01	K	537 36 06-01	B
503 20 08-70	M	503 76 29-02	A	537 20 57-01	K	537 37 79-01	M
503 20 25-16	Q	503 76 64-02	G	537 20 58-01	N	537 38 28-01	P
503 20 25-20	F	503 79 27-01	L	537 20 59-01	J	537 38 29-01	P
503 20 34-19	C	503 81 13-01	B	537 20 59-02	Q	537 38 30-01	P
503 20 39-01	F	503 81 30-01	B	537 20 66-01	F	537 38 31-01	P 2
503 20 47-01	J	503 84 61-01	M	537 20 66-02	F	537 38 32-01	P
503 20 52-16	C	503 86 17-71	B	537 20 66-03	F	537 38 33-01	P
503 20 53-01	B	503 86 93-01	L	537 20 67-01	G	537 38 34-01	P
503 20 73-20	G M	503 86 97-02	L	537 20 71-01	E H	537 38 35-01	P 2
503 20 74-30	M	503 89 47-01	M	537 20 75-01	F	537 38 36-01	P 2
503 21 26-16	F M	503 89 70-01	A	537 20 78-01	B	537 38 37-01	P
503 21 28-10	A K L M Q	503 90 34-01	P	537 20 80-01	H 1	537 38 38-01	P
503 21 29-10	C	503 92 27-01	A	537 20 82-01	G 1	537 38 39-01	P
503 21 39-02	M	503 97 40-01	P	537 20 83-01	K	537 38 40-01	P
503 21 70-16	R	503 98 74-01	E	537 20 84-01	K	537 38 41-01	P
503 21 70-72	L	503 99 83-01	A	537 20 85-01	K	537 38 42-01	P
503 21 88-74	J	505 27 57-19	M	537 20 86-01	D	537 38 43-01	P
503 22 00-01	A	505 30 36-61	B	537 20 87-01	L	537 38 44-01	P
503 22 04-01	D	505 30 51-25	C	537 20 89-01	J	537 38 45-01	P
503 22 24-01	M	537 01 25-01	P	537 20 89-02	Q	537 38 46-01	P
503 22 65-03	F	537 01 26-01	P	537 20 90-01	L	537 38 47-01	P
503 22 66-01	J	537 01 37-02	M	537 20 91-01	B	537 38 49-01	P
503 23 00-04	B	537 01 68-01	A	537 20 92-01	M	537 38 50-01	P
503 23 00-42	D	537 01 71-01	M	537 20 93-02	M	537 38 51-01	P
503 23 00-63	A	537 01 72-01	M	537 20 96-01	D	537 38 52-01	P
503 23 00-66	A	537 01 74-01	A	537 20 96-02	Q	537 38 53-01	P 2
503 23 51-08	H	537 02 01-01	P	537 20 98-01	K	537 38 54-01	P
503 23 51-11	H	537 02 44-01	M	537 21 03-01	K	537 38 55-01	P
503 25 20-02	N	537 03 35-01	A	537 21 03-02	K	537 38 56-01	P compl 2
503 25 56-01	H	537 03 38-03	A	537 21 03-03	K	537 40 33-01	P 2
503 25 56-01	N	537 03 62-05	B	537 21 03-04	K	720 12 40-20	K
503 26 09-01	N	537 03 62-06	B	537 21 04-01	F	724 12 87-59	G
503 27 21-01	B	537 03 73-01	J	537 21 05-01	E	725 53 33-55	H
503 28 33-01	F P	537 04 03-01	M	537 21 05-01	R	725 53 70-55	G
503 28 90-46	H	537 04 29-01	M	537 21 06-01	G	731 23 14-01	F
503 28 90-47	H	537 04 34-01	A	537 21 07-01	L	737 43 12-00	H
503 43 20-01	B	537 04 41-02	A	537 21 08-01	Q	738 22 02-25	N
503 43 65-01	L	537 05 13-01	M	537 21 09-01	Q	740 48 07-02	A
503 44 32-01	K	537 07 94-01	A	537 21 10-01	Q		
503 47 90-01	P	537 07 95-01	A	537 21 11-01	K		
503 47 96-01	P	537 08 92-01	M	537 21 21-01	C		
503 47 97-01	P	537 13 14-02	Q	537 21 21-02	C		
503 48 00-01	P	537 17 41-01	A	537 21 21-03	C		
503 48 01-01	P	537 17 70-01	P	537 21 24-01	R		
503 48 05-01	P	537 20 23-01	C	537 21 25-01	E		
503 48 11-01	P	537 20 24-01	C	537 21 25-02	E		
503 48 18-01	P	537 20 26-01	C	537 21 26-01		compl 1	
503 48 18-01	P	537 20 27-01	L	537 21 28-01	Q		
503 52 13-03	B	537 20 28-01	L	537 21 29-01	Q		
503 52 15-01	B	537 20 29-02	C	537 21 31-01	Q		
503 53 56-01	P	537 20 30-01	M	537 21 34-01	Q		

1 = 537 21 26-01
2 = 537 38 56-01

Set of gaskets, Dichtungssats,
Jeu de joints, Juego de juntas,
Packingssats

N = New part, Neues teil,
Nouvelle piece, Nueva pieza
Ny detalj

EPA = Environmental Protection Agency
(for USA only)