

# 575 XP EPA 570 EPA

Spare parts  
Ersatzteile  
Pièces détachées  
Reserve onderdelen  
Repuestos  
Reservdelar

PART NUMBER	SQUARE NOTE	PART NUMBER	SQUARE NOTE	PART NUMBER	SQUARE NOTE	PART NUMBER	SQUARE NOTE
501 27 08-01	M	503 55 85-01	S	537 20 35-01	L	537 25 47-02	H
501 48 54-02	D	503 55 86-01	S	537 20 36-01	L	537 26 68-01	P
501 51 72-01	A	503 55 86-02	S	537 20 37-01	F	537 27 42-01	P
501 54 41-02	B	503 57 76-02	K	537 20 38-01	L	537 27 74-01	D
501 59 80-02	B	503 57 89-01	K	537 20 39-01	M	537 28 32-01	C
501 61 58-01	B	503 57 89-01	M	537 20 43-01	F	537 28 34-01	C
501 67 32-01	D	503 62 12-01	S	537 20 45-01	F	537 29 44-01	H
501 67 35-01	D	503 62 49-01	B	537 20 47-01	F	537 30 61-01	N
501 69 17-01	S	503 63 75-02	J	537 20 49-01	F	537 32 85-02	H
501 76 83-05	K	503 63 75-03	J	537 20 50-01	F	537 33 10-01	A
501 81 99-01	D	503 64 79-02	M	537 20 51-01	L	537 35 95-01	K
501 87 53-04	L	503 66 59-01	P	537 20 52-01	L	537 36 06-01	B
501 89 53-01	B	503 70 99-01	L	537 20 53-01	L	537 37 79-01	M
501 91 14-01	S	503 71 97-01	A	537 20 55-01	K	537 38 28-01	P
502 20 65-01	F	503 73 58-01	K	537 20 56-01	K	537 38 29-01	P
502 20 83-02	F	503 74 44-05	B	537 20 57-01	K	537 38 30-01	P
503 20 02-16	F,L,M	503 75 22-02	L	537 20 58-01	N	537 38 31-01	P
503 20 02-20	D	503 75 24-01	B	537 20 59-01	J	537 38 32-01	P
503 20 08-70	M	503 76 29-02	A	537 20 59-02	Q	537 38 33-01	P
503 20 25-16	Q	503 76 64-02	G	537 20 66-01	F	537 38 34-01	P
503 20 25-20	F	503 79 27-01	L	537 20 66-02	F	537 38 35-01	P
503 20 34-19	C	503 81 13-01	B	537 20 66-03	F	537 38 36-01	P
503 20 39-01	F	503 81 30-01	B	537 20 71-01	E,H	537 38 37-01	P
503 20 47-01	J	503 84 61-01	M	537 20 75-01	F	537 38 38-01	P
503 20 52-16	C	503 86 17-71	B	537 20 78-01	B	537 38 39-01	P
503 20 53-01	B	503 86 93-01	L	537 20 80-01	H	537 38 40-01	P
503 20 73-20	G,M	503 86 97-01	L	537 20 82-01	G	537 38 41-01	P
503 20 74-30	M	503 89 47-01	M	537 20 83-01	K	537 38 42-01	P
503 21 26-16	F,M	503 89 70-01	A	537 20 84-01	K	537 38 43-01	P
503 21 28-10	A,K,L,M,Q	503 90 34-01	P	537 20 85-01	K	537 38 44-01	P
503 21 29-10	C	503 92 27-01	A	537 20 86-01	D	537 38 45-01	P
503 21 39-02	M	503 97 40-01	P	537 20 87-01	L	537 38 46-01	P
503 21 39-02	M	503 98 74-01	E	537 20 89-01	J	537 38 47-01	P
503 21 70-16	R	503 99 83-01	A	537 20 89-02	Q	537 38 49-01	P
503 21 70-72	L	505 27 57-19	M	537 20 90-01	L	537 38 50-01	P
503 21 88-74	J	505 30 36-61	B	537 20 91-01	B	537 38 51-01	P
503 22 00-01	A	505 30 51-25	C	537 20 92-01	M	537 38 52-01	P
503 22 04-01	D	537 01 25-01	P	537 20 93-72	M	537 38 53-01	P
503 22 24-01	M	537 01 26-01	P	537 20 96-01	D	537 38 54-01	P
503 22 65-03	F	537 01 37-02	M	537 20 96-02	Q	537 38 55-01	P
503 22 66-01	J	537 01 68-01	A	537 20 98-01	K	537 38 56-01	P
503 23 00-04	B	537 01 71-01	M	537 21 03-01	K	537 40 33-01	P
503 23 00-42	D	537 01 72-01	M	537 21 03-02	K	720 12 40-20	K
503 23 00-63	A	537 01 74-01	A	537 21 03-03	K	724 12 87-59	G
503 23 00-66	A	537 02 01-01	P	537 21 03-04	K	725 53 33-55	H
503 23 51-08	H	537 02 44-01	M	537 21 04-01	F	725 53 70-55	G
503 23 51-11	H	537 03 35-01	A	537 21 05-01	E,R	731 23 14-01	F
503 25 20-02	N	537 03 38-03	A	537 21 06-01	G	737 43 12-00	H
503 25 56-01	H	537 03 62-02	B	537 21 07-01	L	738 22 02-25	N
503 25 56-01	N	537 03 73-01	J	537 21 08-01	Q	740 48 07-02	A
503 26 09-01	N	537 04 03-01	M	537 21 09-01	Q		
503 27 21-01	B	537 04 34-01	A	537 21 10-01	Q		
503 28 33-01	F,P	537 04 41-02	A	537 21 11-01	K		
503 28 90-46	H	537 05 13-01	M	537 21 21-02	C		
503 28 90-47	H	537 07 94-01	A	537 21 21-03	C		
503 43 20-01	B	537 07 95-01	A	537 21 24-01	R		
503 43 65-01	L	537 08 92-01	M	537 21 25-01	E		
503 44 32-01	K	537 13 14-02	Q	537 21 25-02	E		
503 47 90-01	P	537 17 41-01	A	537 21 28-01	Q		
503 47 96-01	P	537 17 70-01	P	537 21 29-01	Q		
503 47 97-01	P	537 20 23-01	C	537 21 31-01	Q		
503 48 00-01	P	537 20 26-01	C	537 21 34-01	Q		
503 48 05-01	P	537 20 27-01	L	537 21 35-04	K		
503 48 11-01	P	537 20 24-01	C	537 21 37-01	F,P		
503 48 18-01	P	537 20 28-01	L	537 21 50-01	K		
503 52 13-03	B	537 20 29-02	C	537 21 50-01	M		
503 52 15-01	B	537 20 30-01	M	537 21 52-02	K,M		
503 53 56-01	P	537 20 31-01	L	537 23 25-01	C		
503 53 57-01	P	537 20 32-01	L	537 25 41-02	H		
503 55 22-01	H	537 20 33-01	N	537 25 45-02	H		

1 = 537 21 26-01

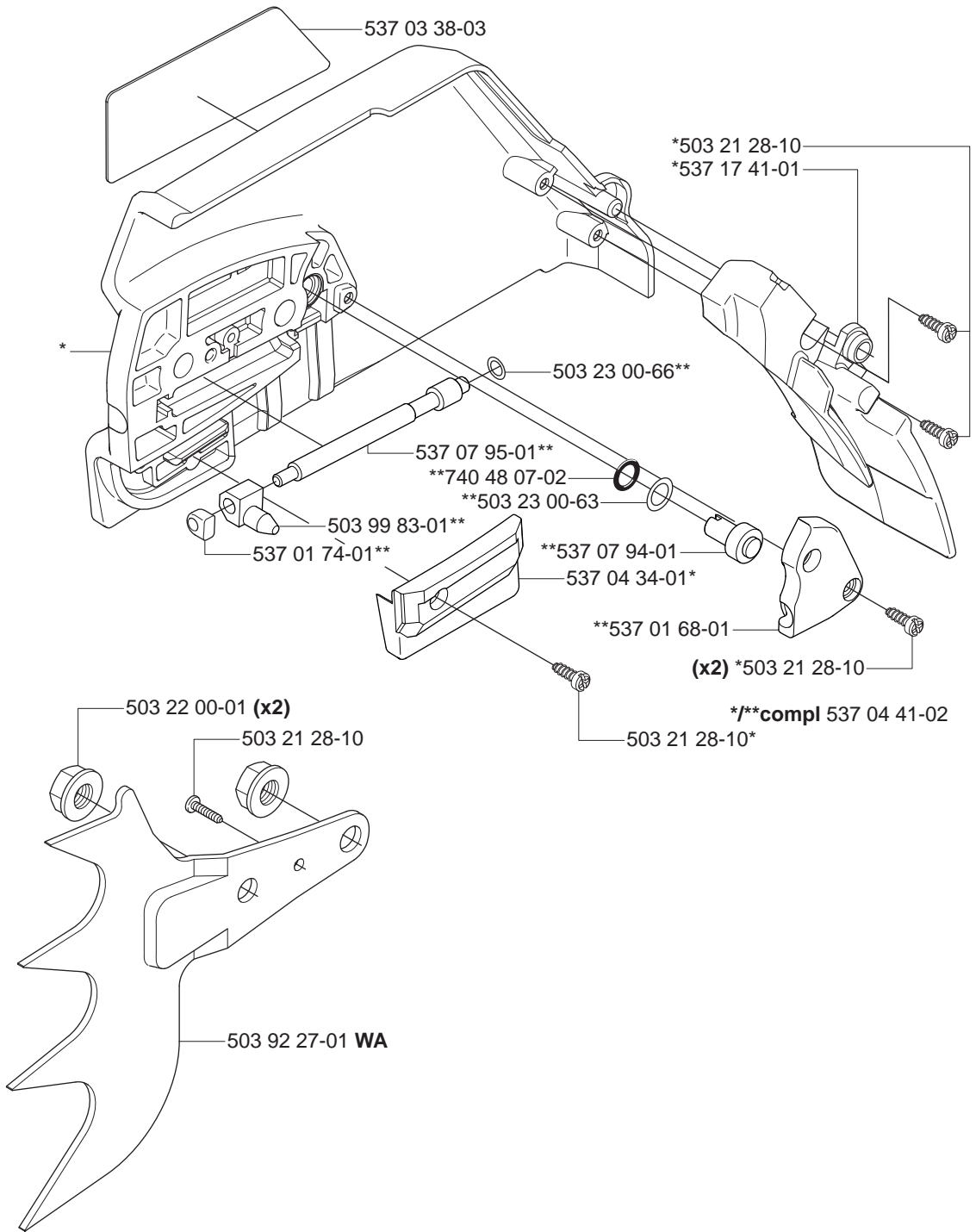
Set of gaskets,  
Dichtungssatz,  
Jeu de joints,  
Juego de juntas,  
Packningssatz

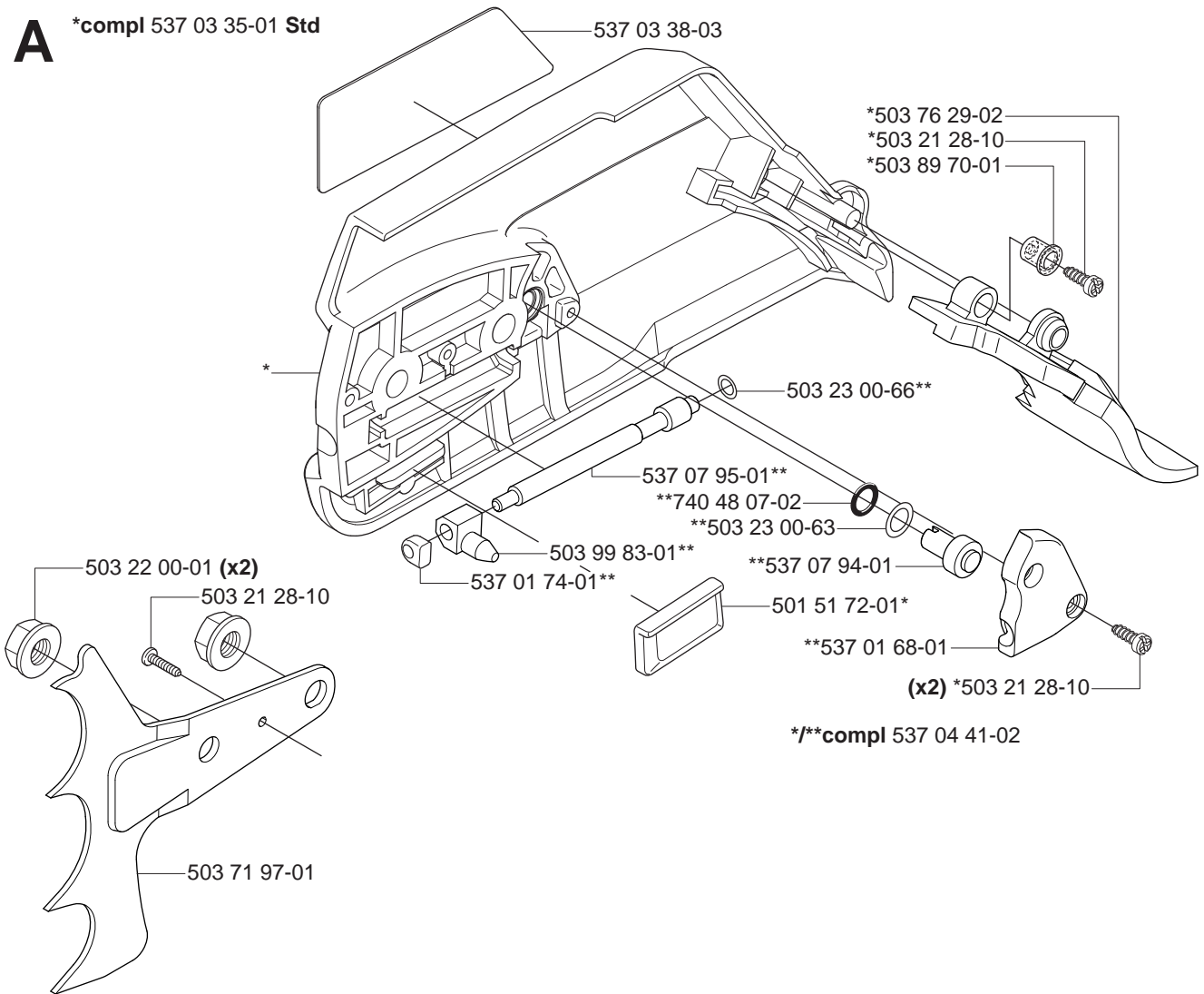
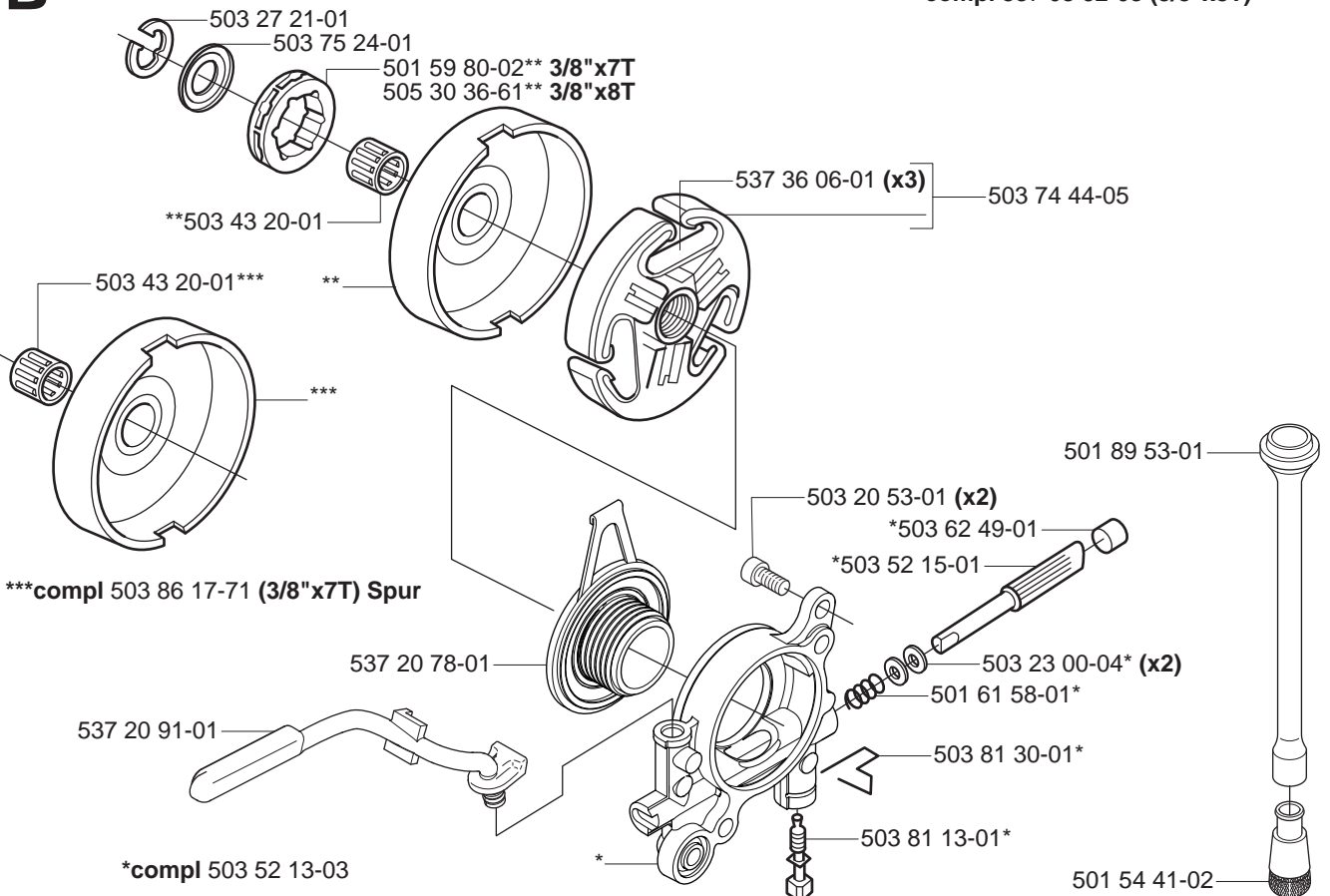
N = New part, Neues teil,  
Nouvelle piece, Nueva pieza  
Ny detalj

EPA = Environmental Protection Agency  
(for USA only)

**A**

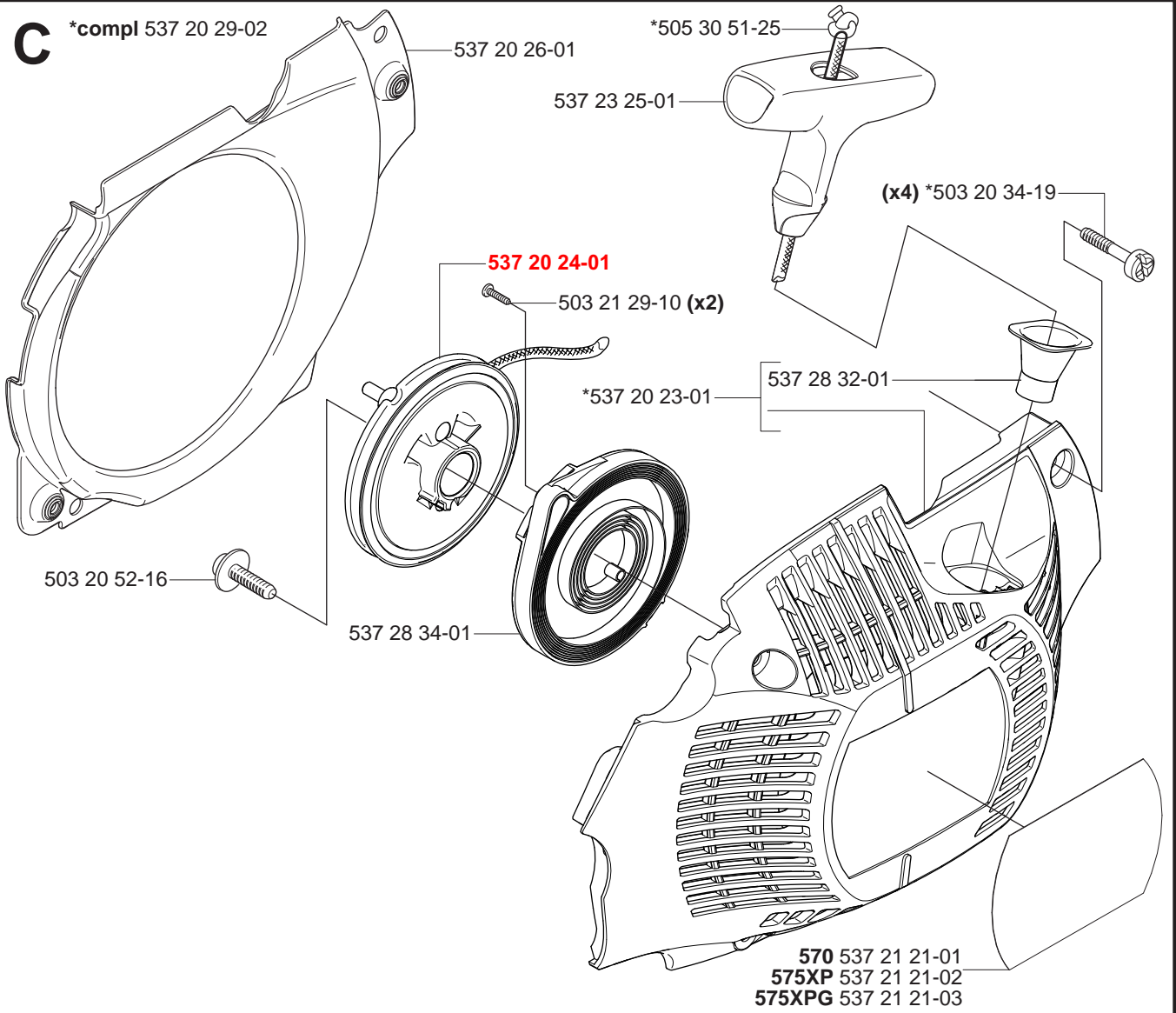
\*compl 537 33 10-01 WA



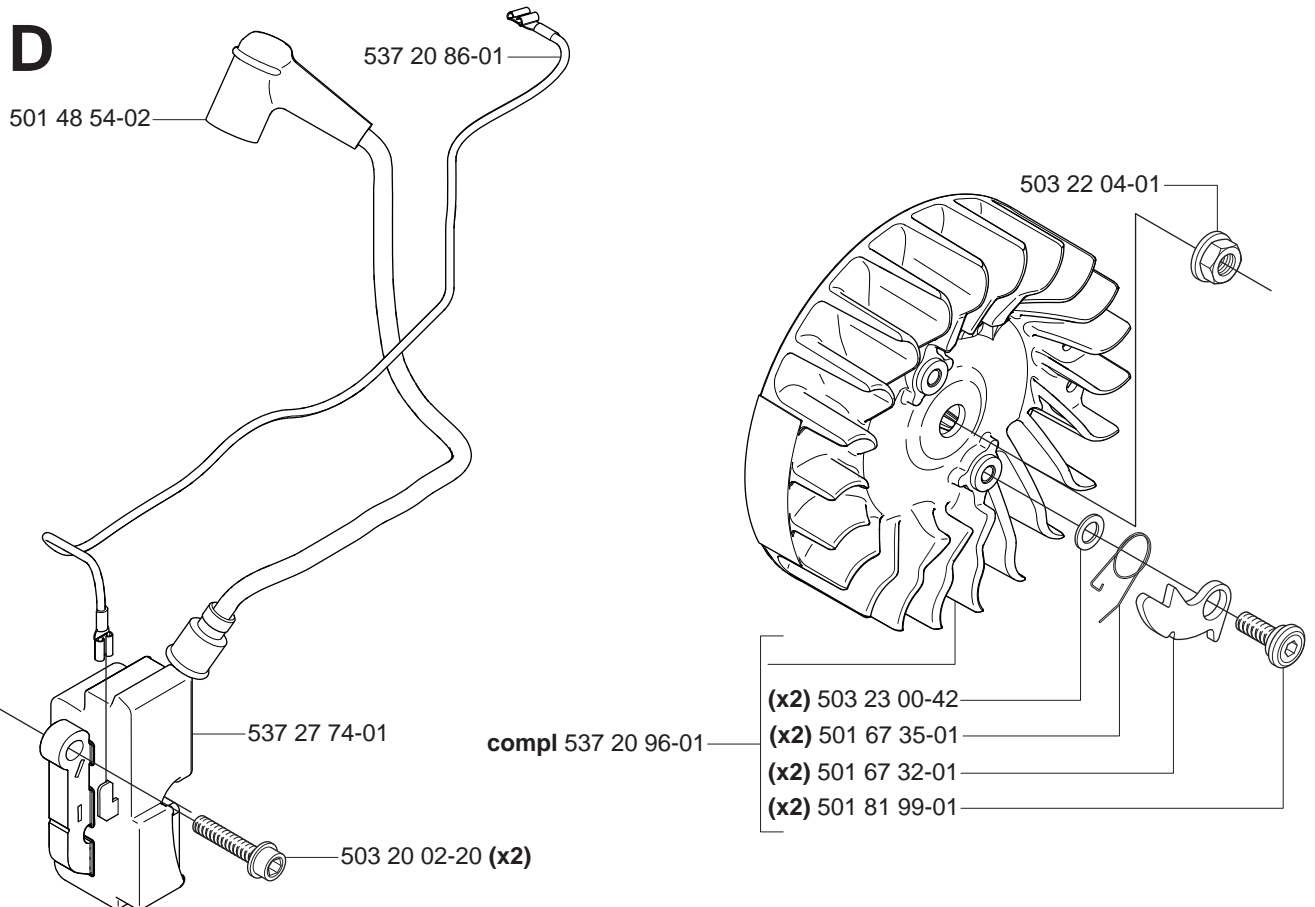
**A****\*compl 537 03 35-01 Std****B****\*\*compl 537 03 62-02 (3/8"x7T)**  
**\*\*compl 537 03 62-03 (3/8"x8T)**

**C**

\*compl 537 20 29-02



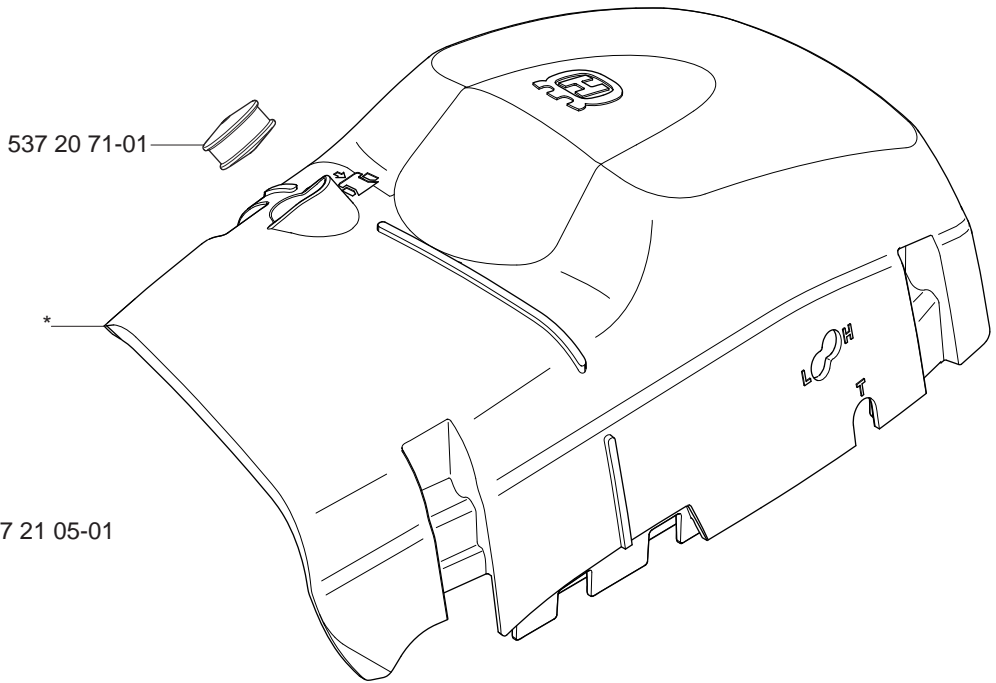
**D**



**E** \*compl 537 21 25-01



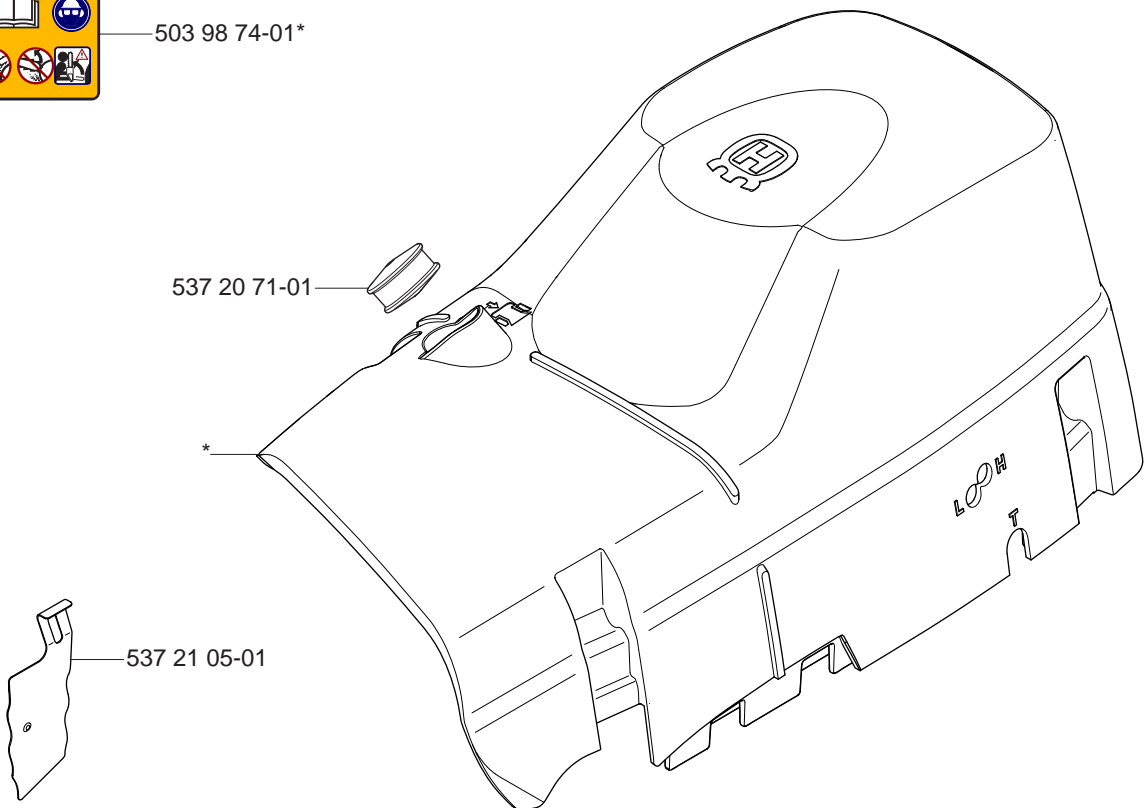
503 98 74-01\*



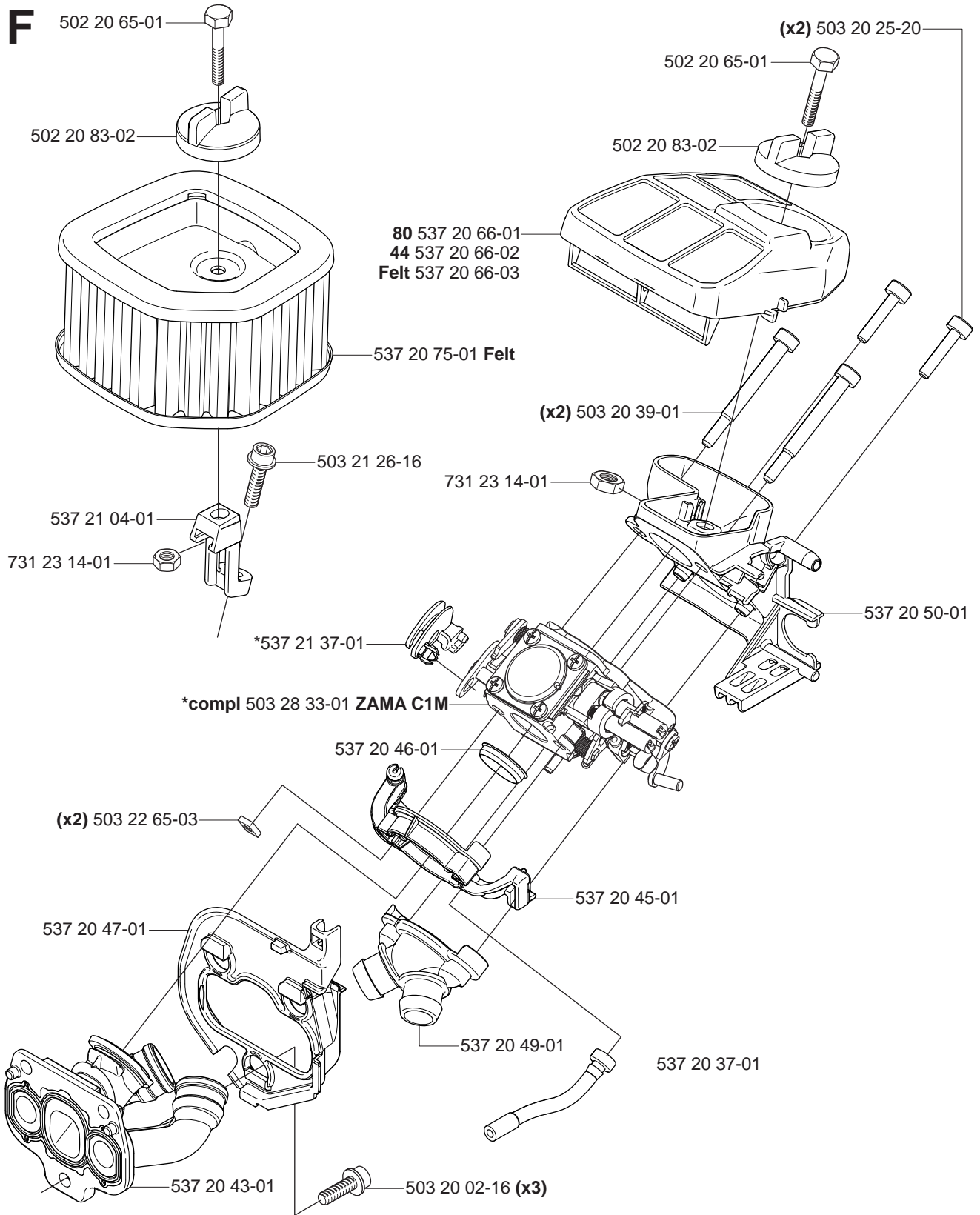
**E** \*compl 537 21 25-02

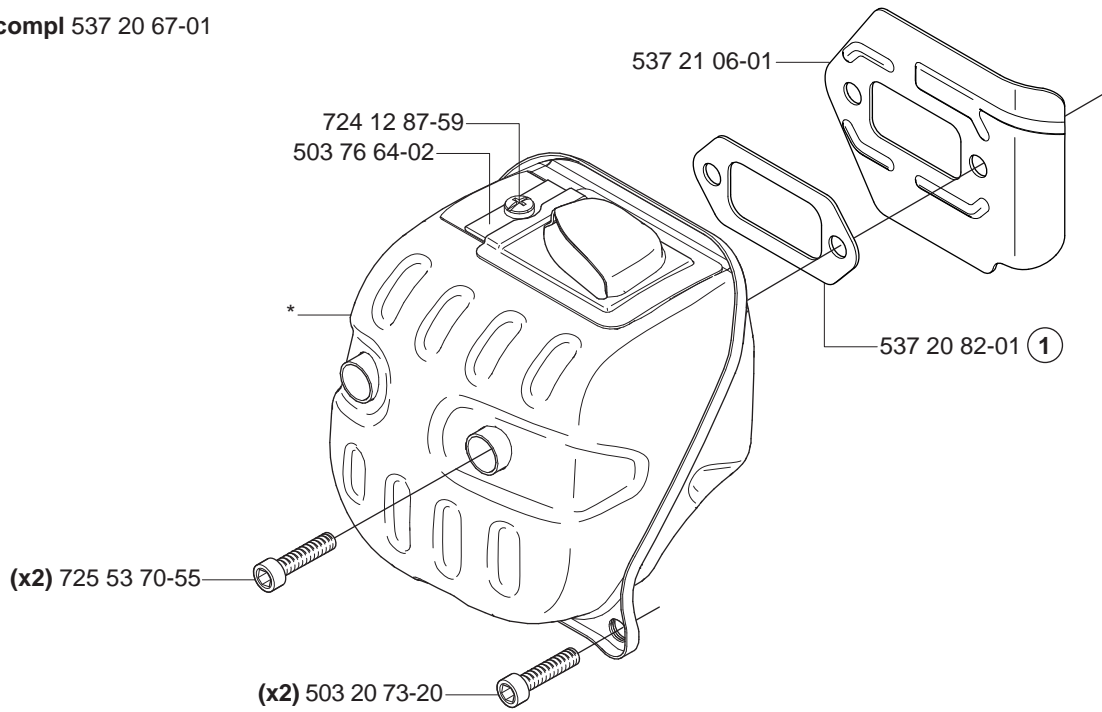
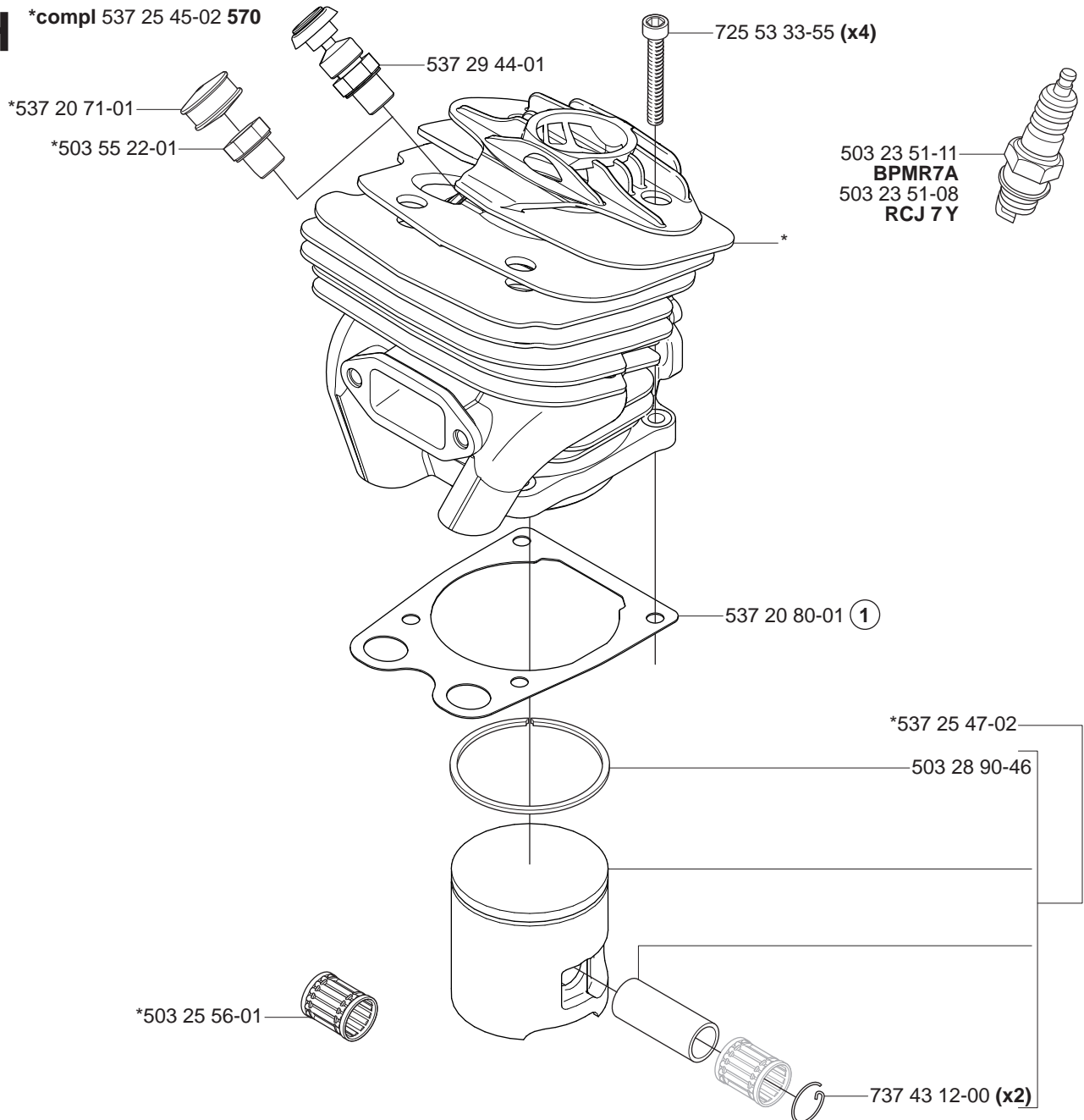


503 98 74-01\*



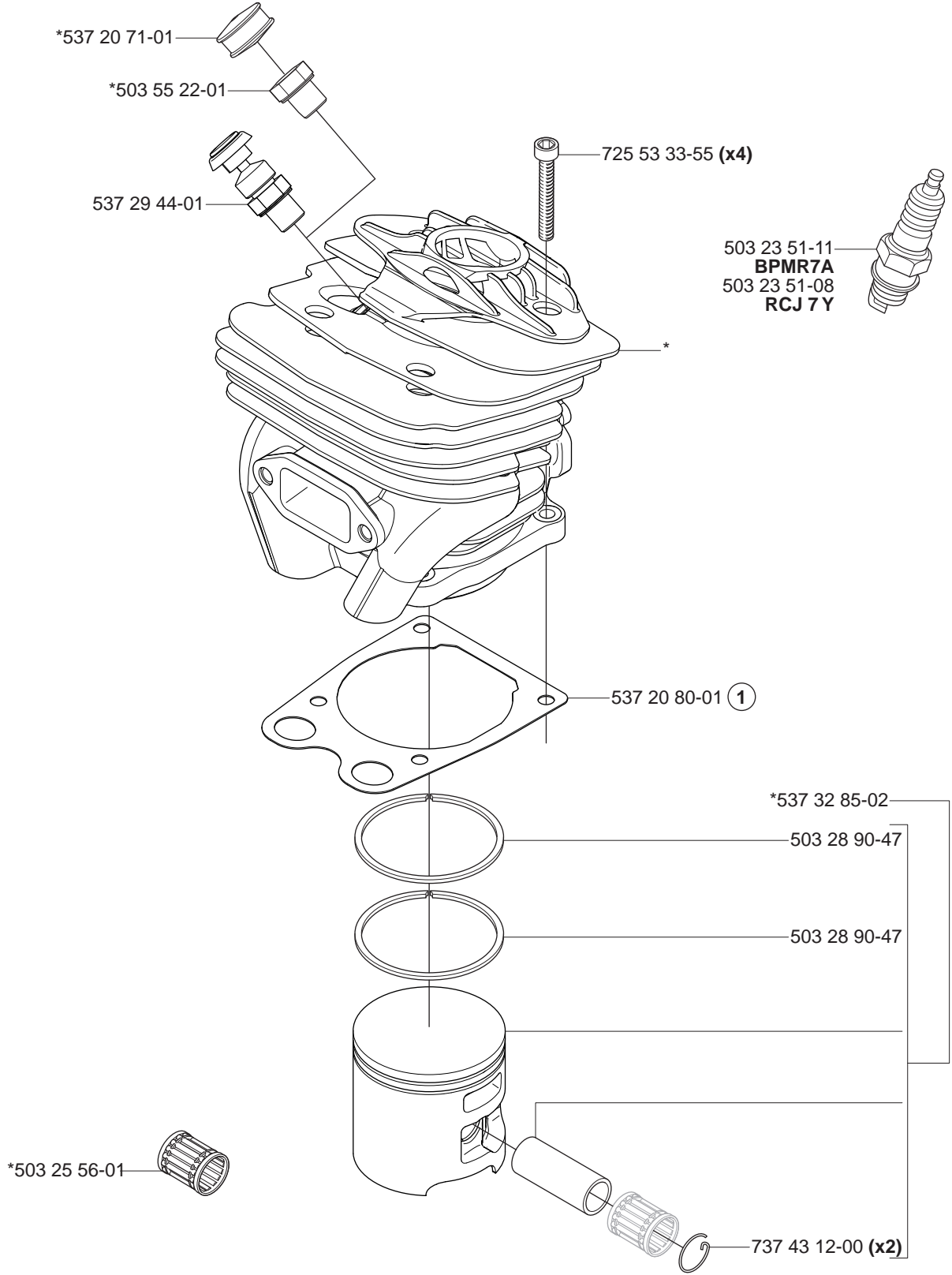
**F**



**G****\*compl 537 20 67-01****H****\*compl 537 25 45-02 570**

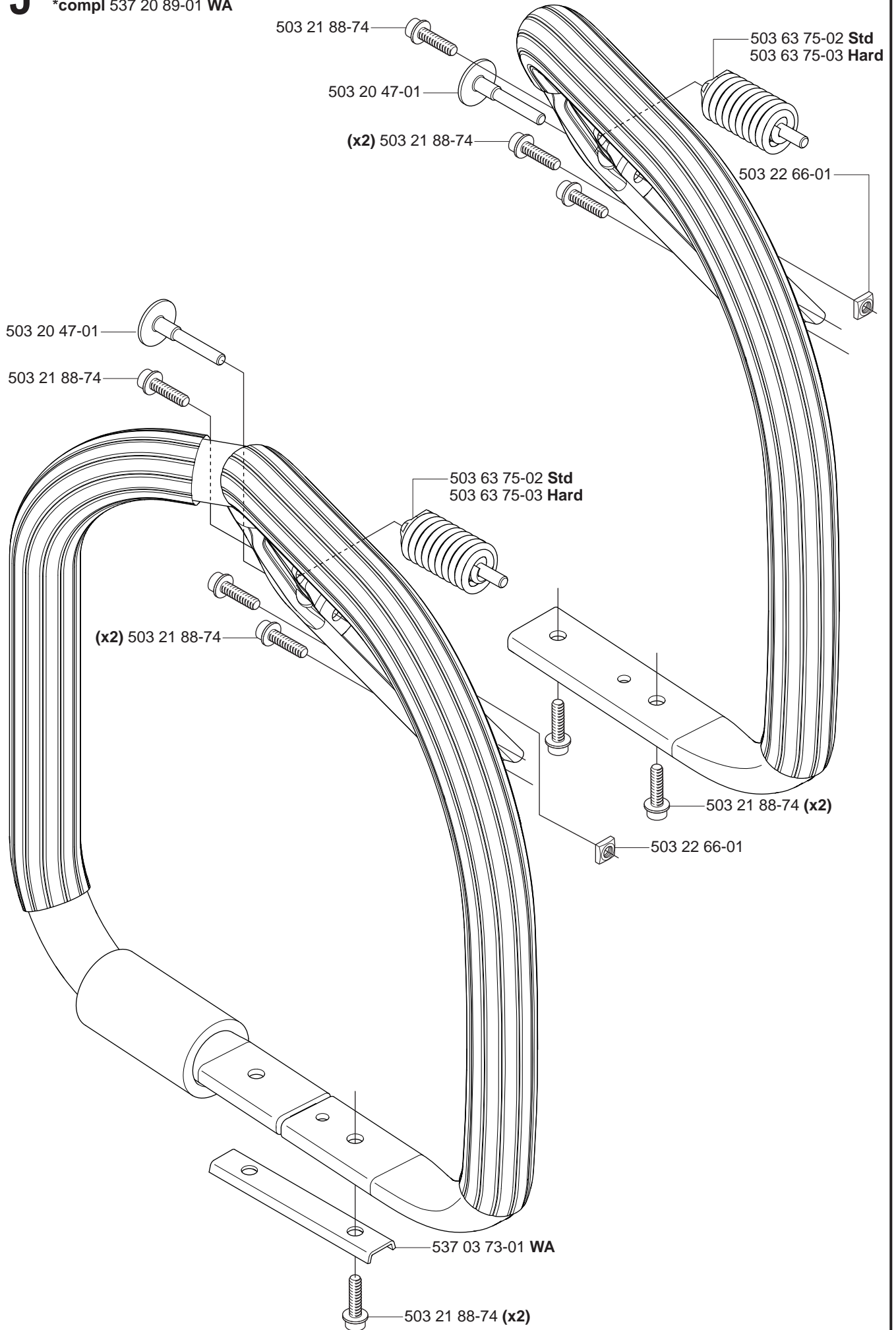
**H**

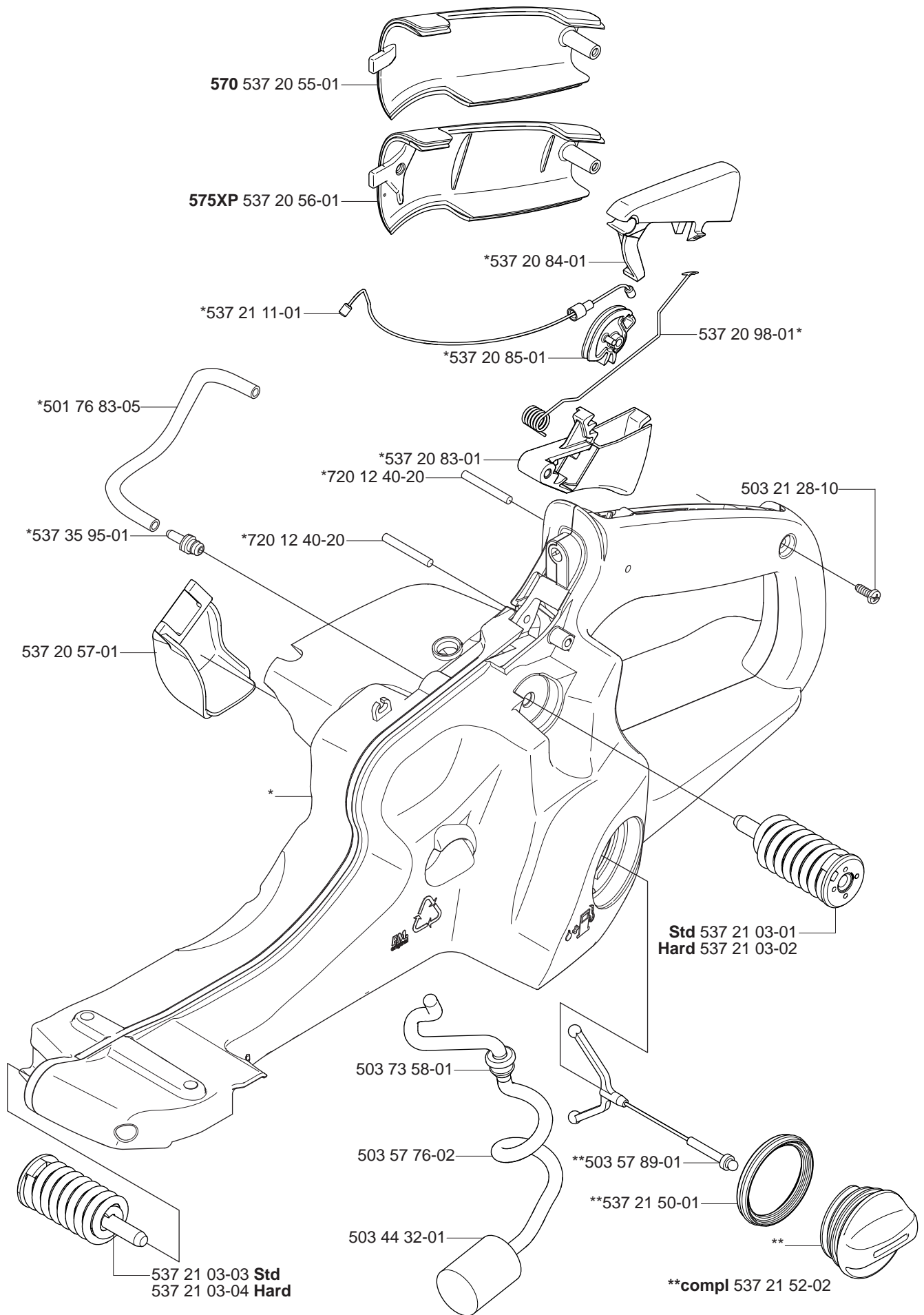
\*compl 537 25 41-02 575XP



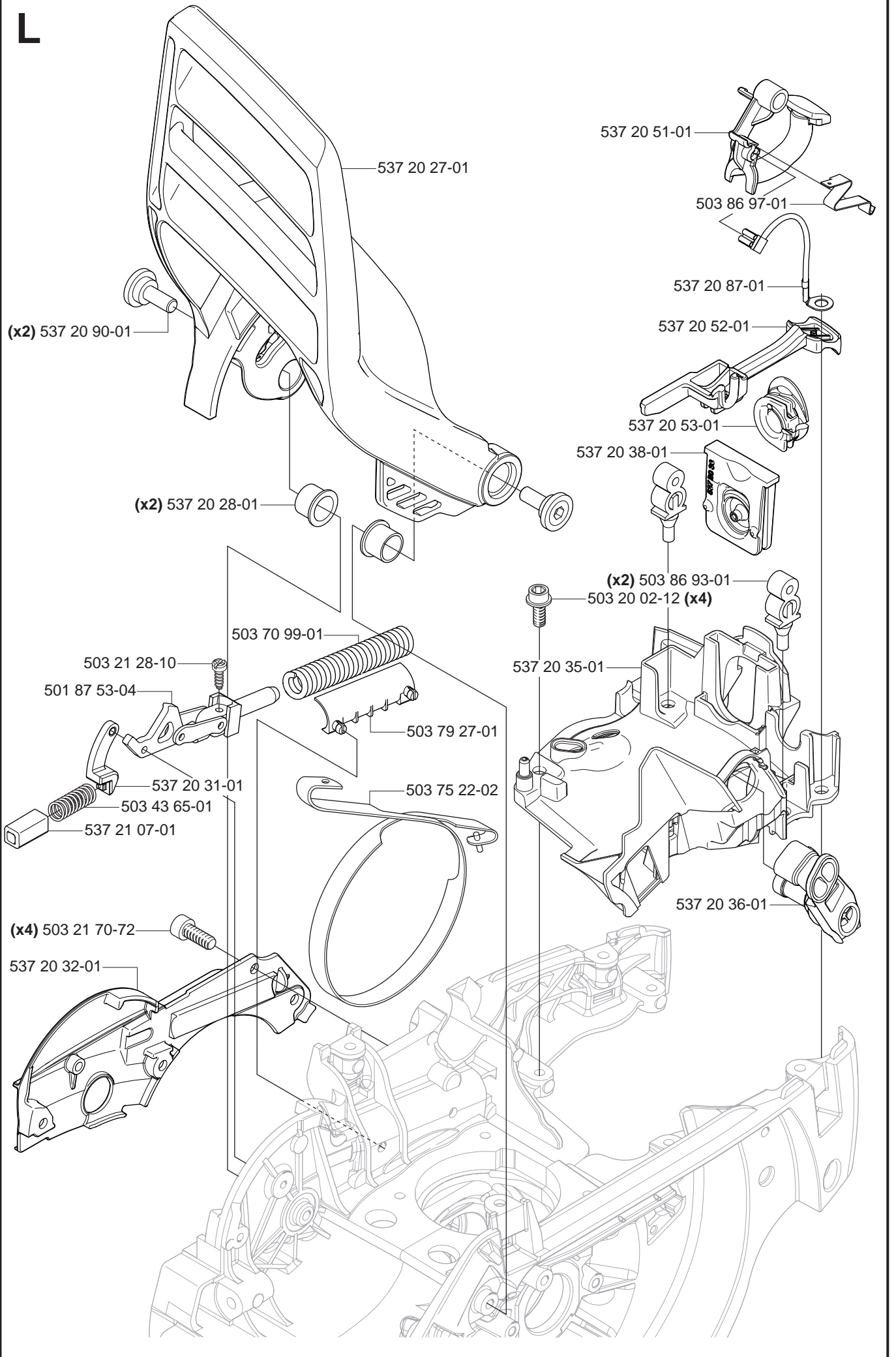
**J**

\*compl 537 20 59-01  
\*compl 537 20 89-01 WA

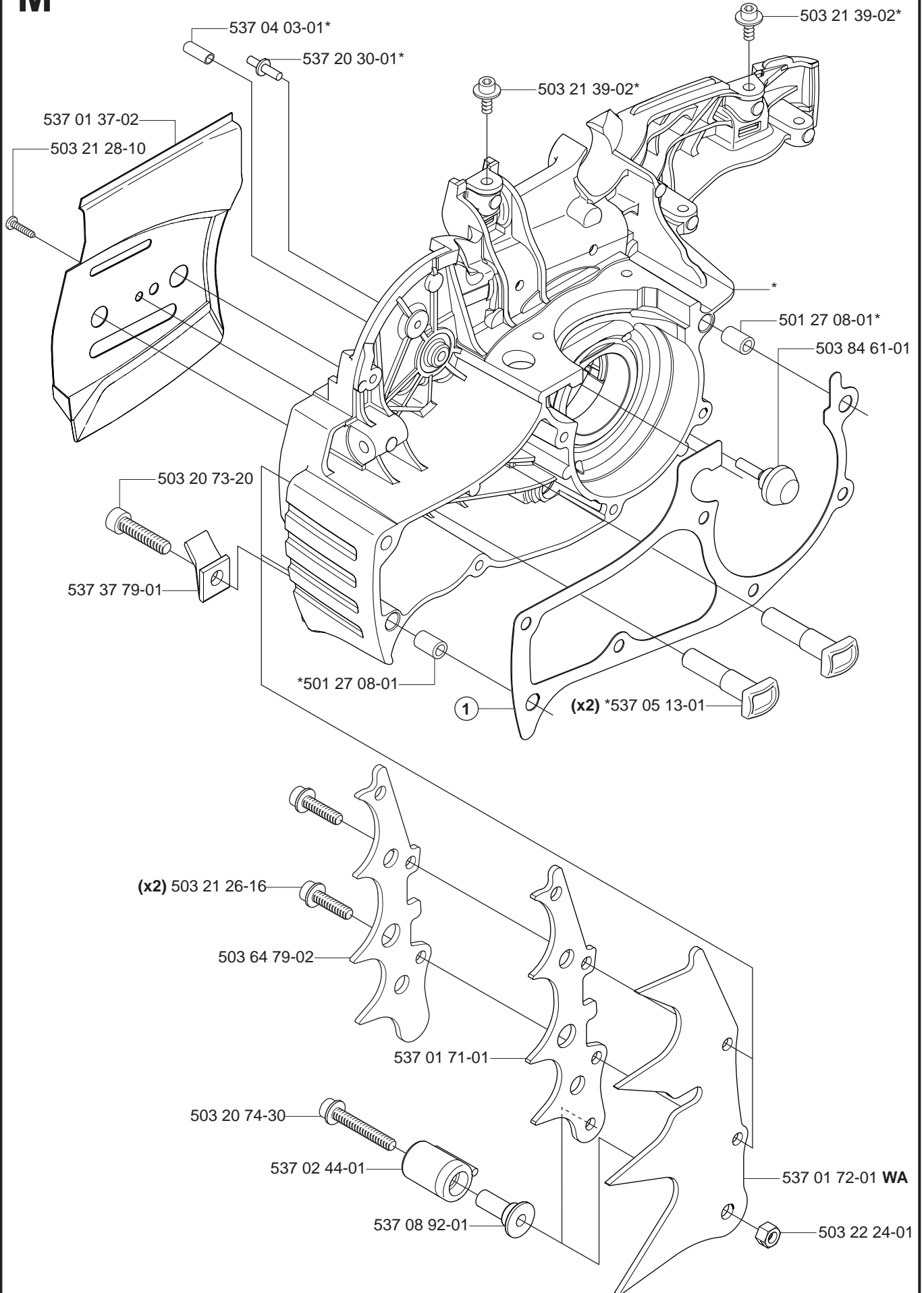




L

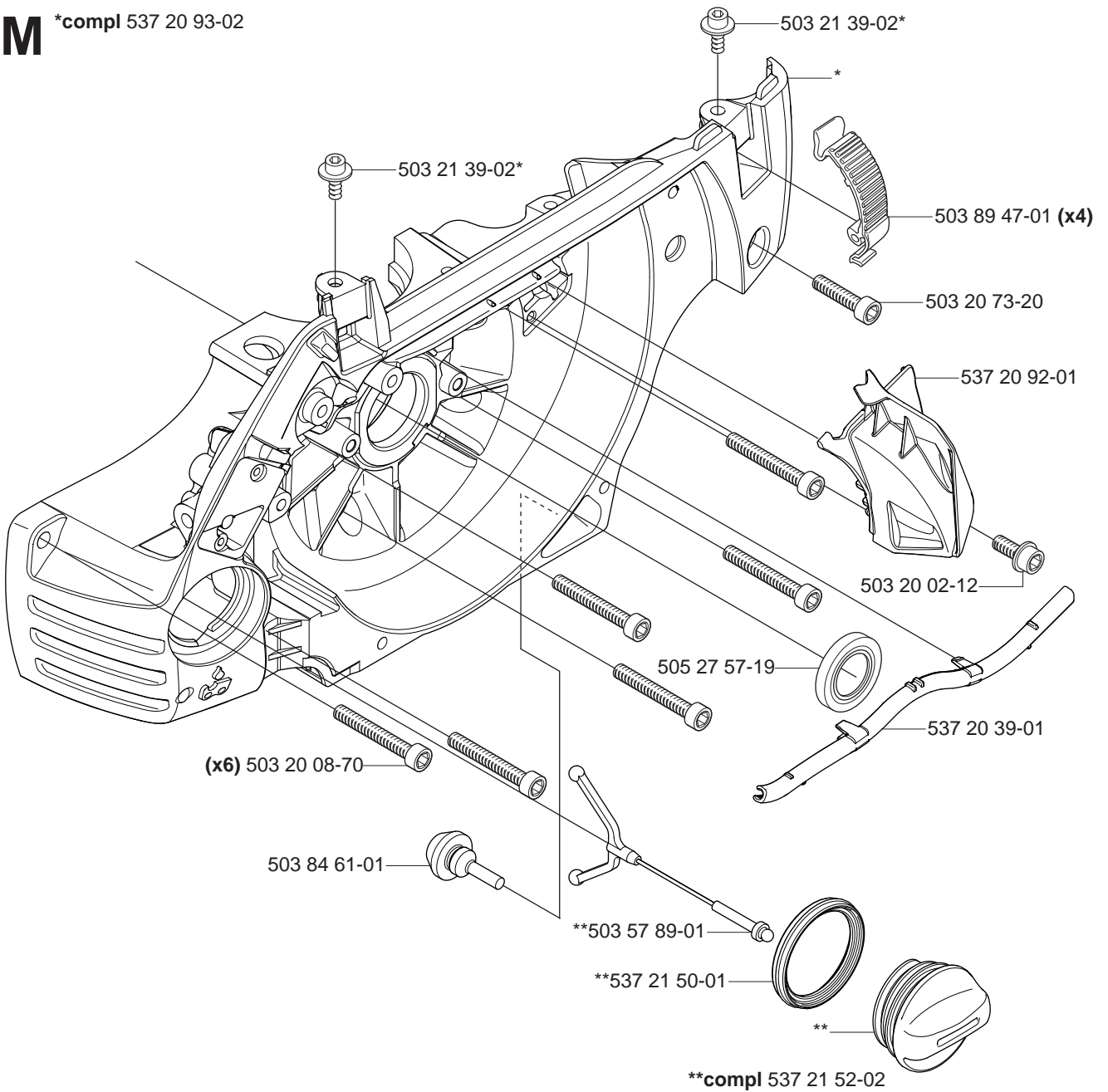


**M** \*compl 537 20 93-02



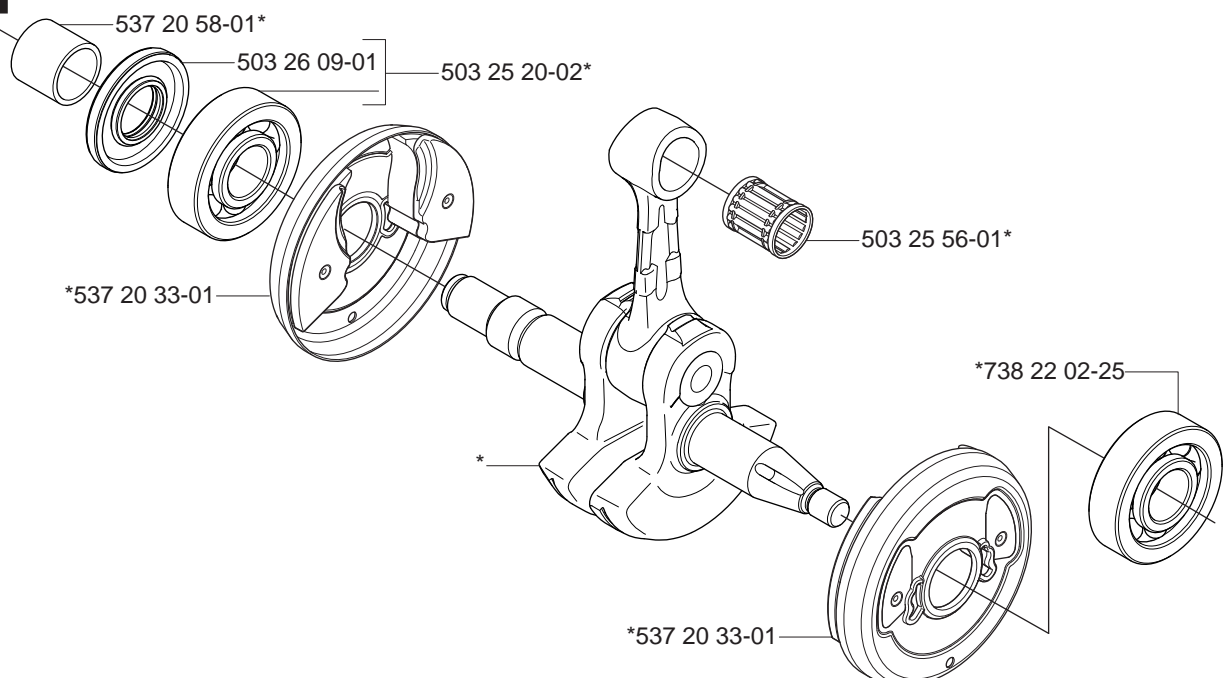
**M**

\*compl 537 20 93-02



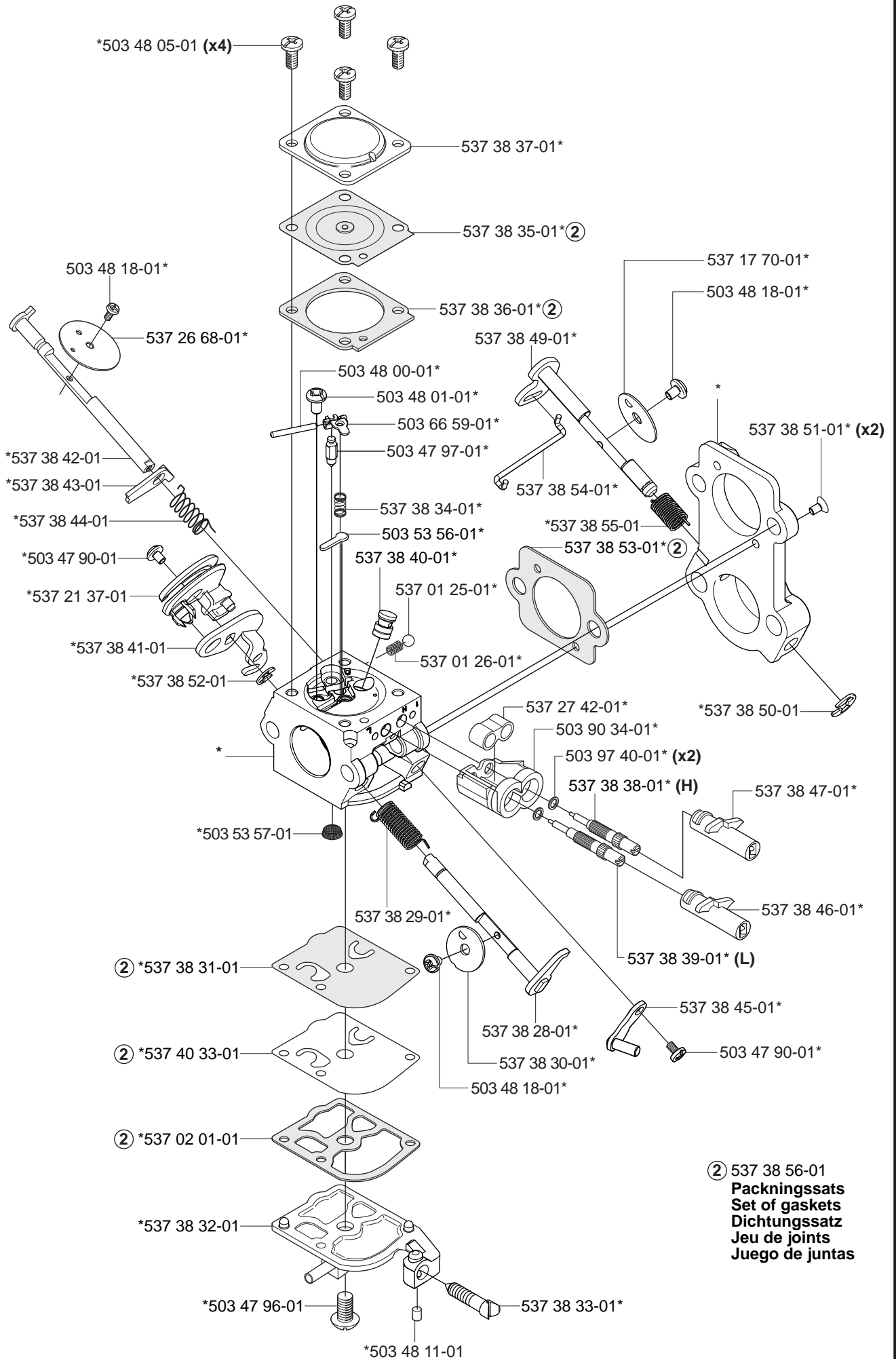
**N**

\*compl 537 30 61-01



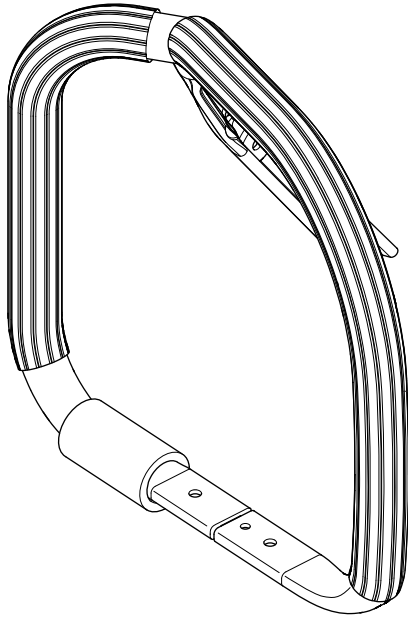
**P**

\*compl 503 28 33-01 ZAMA C1M-EL28

**ZAMA C1M-EL28**

(2) 537 38 56-01  
**Packningssats**  
**Set of gaskets**  
**Dichtungssatz**  
**Jeu de joints**  
**Juego de juntas**

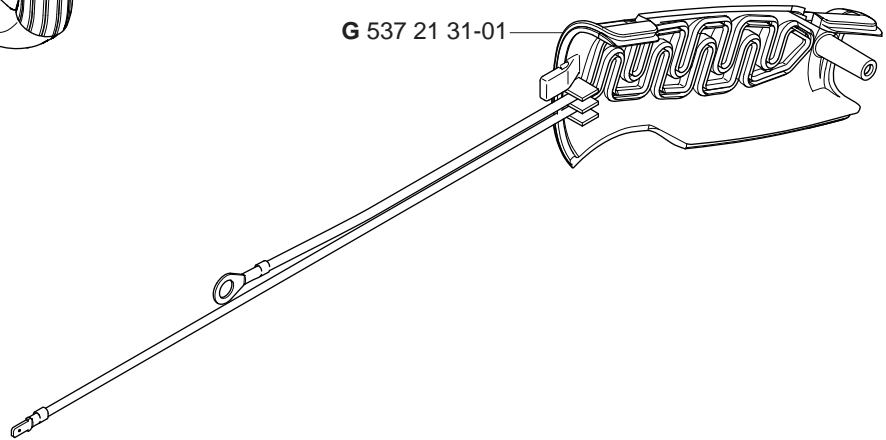
**Q**



**compl 537 20 89-02 WA G**



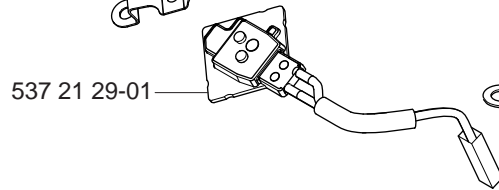
**compl 537 20 59-02 G**



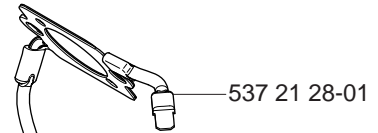
**G 537 21 31-01**



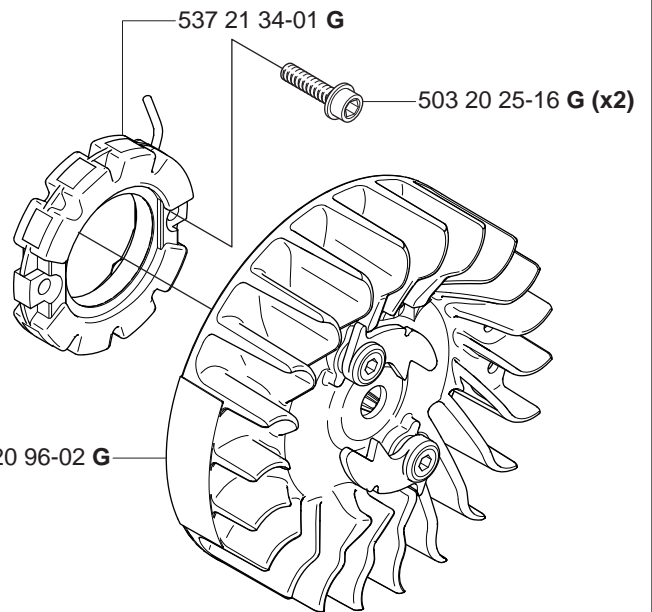
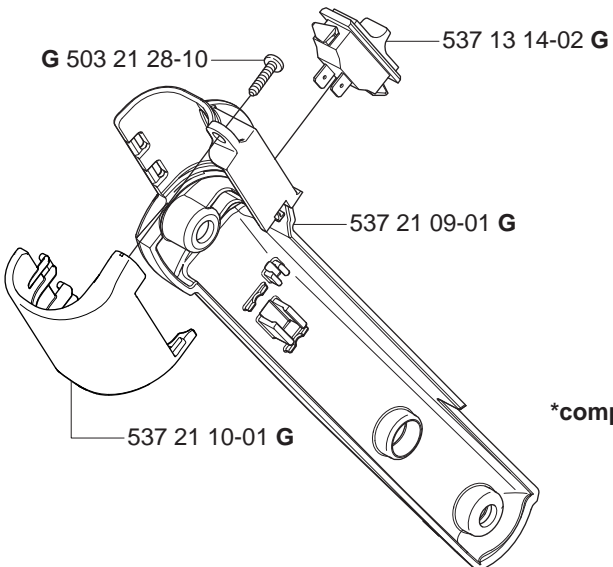
**537 21 08-01**



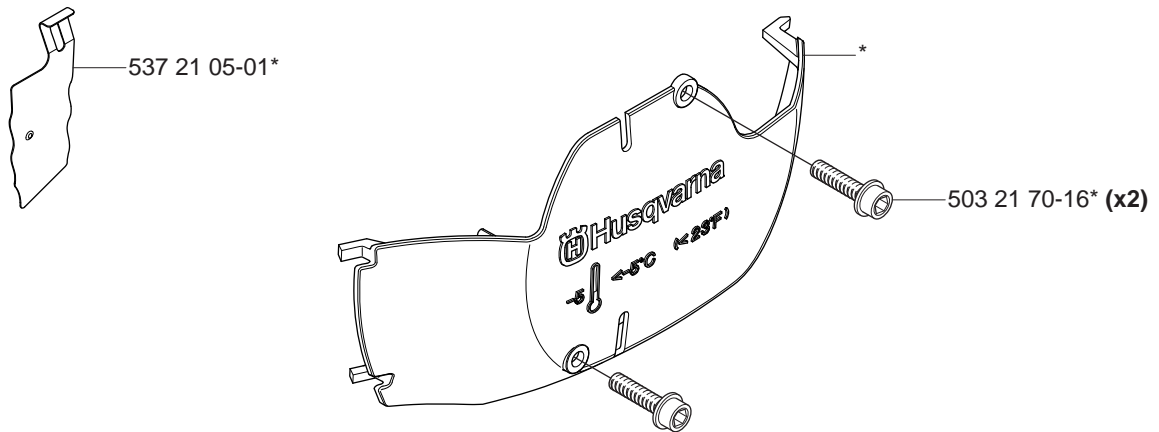
**537 21 29-01**



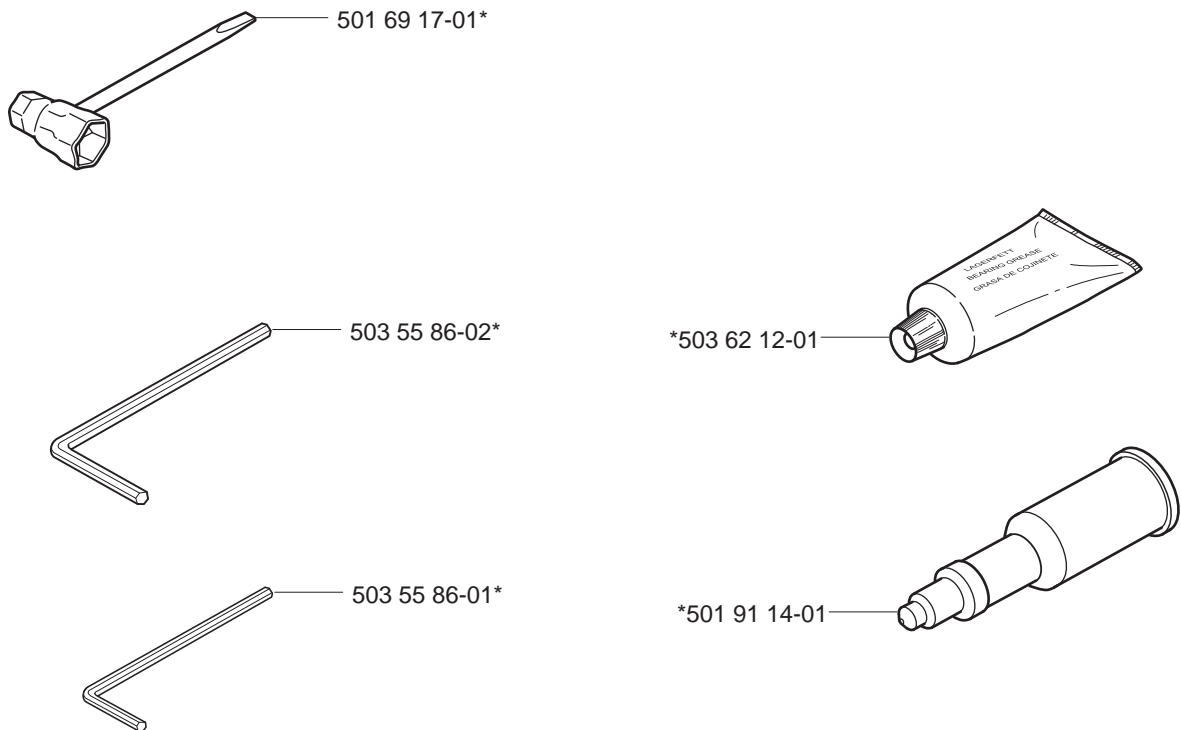
**537 21 28-01**



**R** WINTER KIT  
\*compl 537 21 24-01



**S** Tillbehör  
Accessories  
Zubehöre  
Accessoires  
Accesorios  
\*compl 503 55 85-01



# RECOMMENDED PARTS, ACCESSORIES, LUBRICANTS 575XP CHAIN SAW

	<u>Item</u>	<u>Part Number</u>	<u>Description</u>
<b>Normal Maintenance Parts</b>	Air Filter - Felt	537 20 75-01	
	Spark Plug	503 23 51-11	
	Fuel Filter	503 44 32-01	
	Ignition Module	537 27 74-01	
	Starter Housing Assy.	537 20 29-02	
	Switch On/Off	537 20 51-01	
	Front Handle	537 21 35-04	
	Wrap Handle	537 20 59-01	
	Chain Brake	537 03 35-01	
	Clutch Drum, (3/8"x7T)	537 03 62-02	
	Clutch Drum, (3/8"x8T)	537 03 62-03	
	Oil Gear	537 20 78-01	
	Fuel Cap	537 21 52-02	
	Oil Cap	537 21 52-02	
Bar Nut	503 22 00-01		
	<u>Item</u>	<u>Part Number</u>	<u>Description</u>
<b>Chainsaw Accessories</b>	Bar	608 00 00-46	HT380-72, 20" Bar (3/8"),(.050")
		608 00 00-48	HT380-84, 24" Bar (3/8"),(.050")
		608 00 00-32	HA380-72, 20" Bar (3/8"),(.050")
		608 00 00-45	HT388-68, 18" Bar (3/8"),(.058")
		608 00 00-47	HT388-72, 20" Bar (3/8"),(.058")
		608 00 00-50	HT388-84, 24" Bar (3/8"),(.058")
		608 00 00-34	HA383-72, 20" Bar (3/8"),(.063")
	Chain	501 84 25-72	H46-72, 20" Chain (3/8"),(.050")
		501 84 25-84	H46-84, 24" Chain (3/8"),(.050")
		501 84 28-72	H48-72, 20" Chain (3/8"),(.058")
		501 84 28-84	H48-84, 24" Chain (3/8"),(.058")
		501 87 71-72	H45-72, 20: Chain (3/8"),(.063")
	Carrying Case	100 00 01-07	Orange Carrying Case with 20" Bar Protector
	File Kit	505 69 81-91	File Kit includes: File handle, Combination file guide, 2 round files, and 1 flat file. Use with H80 & H46 chains.
		<u>Item</u>	<u>Part Number</u>
<b>Lubricants</b>	Bar and Chain	610 00 00-14	Bar and Chain Lubricant - 1 Quart
		610 00 00-34	Bar and Chain Lubricant - 1 Gallon
	XP Premium	610 00 00-85	XP Premium - 2.6 oz (1 Gallon Mix)
		610 00 00-82	XP Premium - 6.4 oz (2.5 Gallon Mix)
	<u>Item</u>	<u>Part Number</u>	<u>Description</u>
<b>Protective Apparel</b>	Protective Glasses	605 00 04-15	Lexa- Clear lens
		605 00 04-16	Lexa- Grey lens
	Helmets	505 67 53-15	Helmet System (Husqvarna)
	Protective Gloves	531 30 02-73	Xtreme Duty Work Gloves (Medium)
		531 30 02-74	Xtreme Duty Work Gloves (Large)
		531 30 02-75	Xtreme Duty Work Gloves (X-Large)
	Chaps	605 00 00-13	Pro Forest Apron Chaps (Navy Blue)
		605 00 00-14	Pro Forest Apron Chaps (Orange)

# 570 EPA & 575 XP

Part Number	Description	Square	Part Number	Description	Square
501 27 08-01	SLEEVE	M	503 55 22-01	CYLINDER PLUG	H
501 48 54-02	SPARK PLUG CONN. KIT	D	503 55 85-01	TOOL KIT	S
501 51 72-01	CHAIN GUIDE	A	503 55 86-01	L-SPANNER	S
501 54 41-02	OIL SCREEN	B	503 55 86-02	L-SPANNER	S
501 59 80-02	68210 RIMSPROCKET	B	503 57 76-02	HOSE	K
501 61 58-01	SPRING	B	503 57 89-01	HOLDER	K
501 67 32-01	PAWL	D	503 57 89-01	HOLDER	M
501 67 35-01	SPRING	D	503 62 12-01	GREASE	S
501 69 17-01	COMBI TOOL	S	503 62 49-01	PLUG	B
501 76 83-05	HOSE	K	503 63 75-02	ANTIVIBE MOUNT	J
501 81 99-01	SCREW M5X14	D	503 63 75-03	VIBRATION ABSORBER	J
501 87 53-04	KNEE JOINT	L	503 64 79-02	FELLING DOG	M
501 89 53-01	HOSE	B	503 66 59-01	LEVER	P
501 91 14-01	GREASE GUN	S	503 70 99-01	BRAKE SPRING	L
502 20 65-01	SCREW	F	503 71 97-01	FELLING DOG	A
502 20 83-02	KNOB	F	503 73 58-01	FUEL TANK BUSHING	K
503 20 02-16	SCREW	F,L,M	503 74 44-05	CLUTCH SPRING	B
503 20 02-20	SCREW	D	503 75 22-02	BRAKE BAND	L
503 20 08-70	SCREW	M	503 75 24-01	WASHER	B
503 20 25-16	SCREW	Q	503 76 29-02	PROTECTOR	A
503 20 25-20	SCREW	F	503 76 64-02	SCREEN	G
503 20 34-19	SCREW	C	503 79 27-01	SUPPORT	L
503 20 39-01	SCREW 4X46	F	503 81 13-01	SCREW	B
503 20 47-01	SCREW	J	503 81 30-01	SPRING CLIP	B
503 20 52-16	SCREW	C	503 84 61-01	BUFFER	M
503 20 53-01	SCREW	B	503 86 17-71	CLUTCH DRUM	B
503 20 73-20	SCREW	G,M	503 86 93-01	SUPPORT	L
503 20 74-30	SCREW	M	503 86 97-01	SPRING	L
503 21 26-16	SCREW	F,M	503 89 47-01	BUCKLE	M
503 21 28-10	SCREW	A,K,L,M,Q	503 89 70-01	WASHER	A
503 21 29-10	SCREW	C	503 90 34-01	SLEEVE	P
503 21 39-02	SCREW	M	503 92 27-01	FELLING DOG	A
503 21 39-02	SCREW	M	503 97 40-01	WASHER	P
503 21 70-16	SCREW	R	503 98 74-01	DECAL	E
503 21 70-72	SCREW	L	503 99 83-01	COUPLING	A
503 21 88-74	SCREW	J	505 27 57-19	SEAL RING	M
503 22 00-01	NUT M8 FLANGE	A	505 30 36-61	22273 SPROCKET	B
503 22 04-01	NUT W/ WASHER	D	505 30 51-25	STARTER ROPE	C
503 22 24-01	NUT	M	537 01 25-01	BALL	P
503 22 65-03	NUT	F	537 01 26-01	SPRING	P
503 22 66-01	NUT	J	537 01 37-02	BAR PLATE	M
503 23 00-04	WASHER 6.1X9	B	537 01 68-01	COVER	A
503 23 00-42	WASHER	D	537 01 71-01	FELLING DOG	M
503 23 00-63	WASHER	A	537 01 72-01	FELLING DOG	M
503 23 00-66	WASHER	A	537 01 74-01	SLEEVE	A
503 23 51-08	SPARK PLUG RCJ7Y	H	537 02 01-01	GASKET	P
503 23 51-11	BPMR7A NGK SPARK PLUG	H	537 02 44-01	SPACER	M
503 25 20-02	BEARING	N	537 03 35-01	CHAIN BRAKE COVER	A
503 25 56-01	NEEDLE BEARING	H	537 03 38-03	DECAL	A
503 25 56-01	NEEDLE BEARING	N	537 03 62-02	CLUTCH DRUM	B
503 26 09-01	SEALING	N	537 03 73-01	PLATE	J
503 27 21-01	RETAINING RING	B	537 04 03-01	VALVE	M
503 28 33-01	CARBURETOR	F,P	537 04 34-01	CHAIN GUIDE	A
503 28 90-46	PISTON RING	H	537 04 41-02	KIT-CHAIN TENSIONER	A
503 28 90-47	PISTON RING	H	537 05 13-01	BOLT	M
503 43 20-01	CLUTCH DRUM BEARING	B	537 07 94-01	ADJUSTER	A
503 43 65-01	LOCK SPRING	L	537 07 95-01	ADJUSTER	A
503 44 32-01	FUEL FILTER	K	537 08 92-01	NUT	M
503 47 90-01	SCREW	P	537 13 14-02	SWITCH	Q
503 47 96-01	SCREW	P	537 17 41-01	PROTECTOR	A
503 47 97-01	INLET NEEDLE	P	537 17 70-01	THROTTLE FLAP	P
503 48 00-01	PIN FULCRUM	P	537 20 23-01	STARTER COVER	C
503 48 05-01	SCREW	P	537 20 26-01	PLATE	C
503 48 11-01	PLUG	P	537 20 27-01	CHAIN BRAKE	L
503 48 18-01	SCREW	P	537 20 28-01	BUSHING	C
503 52 13-03	OIL PUMP	B	537 20 28-01	BUSHING	L
503 52 15-01	PUMP PISTON	B	537 20 29-02	STARTER ASSY COMPLETE	C
503 53 56-01	PLUG	P	537 20 30-01	PIN	M
503 53 57-01	STRAINER	P	537 20 31-01	LEVER	L

# 570 EPA & 575 XP

Part Number	Description	Square	Part Number	Description	Square
537 20 32-01	LOCK	L	537 21 31-01	COVER	Q
537 20 33-01	CUP	N	537 21 34-01	GENERATOR	Q
537 20 35-01	BASE	L	537 21 35-04	TANK UNIT	K
537 20 36-01	SLEEVE	L	537 21 37-01	LEVER	F,P
537 20 37-01	HOSE	F	537 21 50-01	SEALING	K
537 20 38-01	GROMMET	L	537 21 50-01	SEALING	M
537 20 39-01	HOLDER	M	537 21 52-02	TANK CAP	K,M
537 20 43-01	PIPE	F	537 23 25-01	HANDLE	C
537 20 45-01	FLANGE	F	537 25 41-02	CYLINDER	H
537 20 47-01	PARTITION	F	537 25 45-02	CYLINDER	H
537 20 49-01	FLANGE	F	537 25 47-02	PISTON 49 MM	H
537 20 50-01	FILTER HOLDER	F	537 26 68-01	CHOKE FLAP	P
537 20 51-01	CONTROL	L	537 27 42-01	SLEEVE	P
537 20 52-01	CHOKE CONTROL	L	537 27 74-01	IGNITION MODULE	D
537 20 53-01	SEALING	L	537 28 32-01	SLEEVE	C
537 20 55-01	COVER	K	537 28 34-01	SPRING	C
537 20 56-01	COVER	K	537 29 44-01	VALVE	H
537 20 57-01	PROTECTOR	K	537 30 61-01	CRANKSHAFT	N
537 20 58-01	SLEEVE	N	537 32 85-02	PISTON 51 MM	H
537 20 59-01	FRONT HANDLE	J	537 33 10-01	CLUTCH COVER ASSY	A
537 20 59-02	HANDLE	Q	537 35 95-01	FUEL TANK VENT	K
537 20 66-01	AIR FILTER	F	537 36 06-01	SPRING	B
537 20 66-02	AIR FILTER	F	537 37 79-01	CHAIN CATCHER	M
537 20 66-03	AIR FILTER	F	537 38 28-01	THROTTLE SHAFT	P
537 20 71-01	PLUG	E,H	537 38 29-01	SPRING	P
537 20 75-01	AIR FILTER	F	537 38 30-01	FLAP	P
537 20 78-01	PINION	B	537 38 31-01	PUMP DIAPHRAGM	P
537 20 80-01	GASKET	H	537 38 32-01	COVER	P
537 20 82-01	GASKET	G	537 38 33-01	SCREW	P
537 20 83-01	THROTTLE TRIGGER	K	537 38 34-01	SPRING	P
537 20 84-01	THROTTLE LOCK	K	537 38 35-01	DIAPHRAGM	P
537 20 85-01	LEVER	K	537 38 36-01	GASKET	P
537 20 86-01	SHORTING LEAD	D	537 38 37-01	COVER	P
537 20 87-01	CABLE	L	537 38 38-01	NEEDLE HIGH SPEED	P
537 20 89-01	HANDLE	J	537 38 39-01	LOW SPEED NEEDLE	P
537 20 89-02	HANDLE	Q	537 38 40-01	JET	P
537 20 90-01	SCREW	L	537 38 41-01	LEVER	P
537 20 91-01	HOSE	B	537 38 42-01	CHOKE SHAFT	P
537 20 92-01	JET	M	537 38 43-01	LEVER	P
537 20 96-01	FLYWHEEL	D	537 38 44-01	SPRING	P
537 20 96-02	FLYWHEEL	Q	537 38 45-01	LEVER	P
537 20 98-01	SPRING	K	537 38 46-01	LIMITER	P
537 21 03-01	VIBRATION ABSORBER	K	537 38 47-01	LIMITER	P
537 21 03-02	VIBRATION ABSORBER	K	537 38 49-01	SHAFT	P
537 21 03-03	VIBRATION ABSORBER	K	537 38 50-01	CLIP	P
537 21 03-04	VIBRATION ABSORBER	K	537 38 51-01	SCREW	P
537 21 04-01	ADAPTER	F	537 38 52-01	CLIP	P
537 21 05-01	COVER	E,R	537 38 53-01	GASKET	P
537 21 06-01	CONDUCTOR	G	537 38 54-01	ROD	P
537 21 07-01	GUIDE	L	537 38 55-01	SPRING	P
537 21 08-01	HOLDER	Q	537 38 56-01	GASKET SET	P
537 21 09-01	COVER	Q	537 40 33-01	DIAPHRAGM	P
537 21 10-01	COVER	Q	720 12 40-20	PIN 3X25	K
537 21 11-01	THROTTLE WIRE	K	724 12 87-59	SCREW	G
537 21 21-02	DECAL	C	725 53 33-55	SCREW MC6S 5X25	H
537 21 21-03	DECAL	C	725 53 70-55	SCREW MC6S 6X20	G
537 21 24-01	WINTER SET	R	731 23 14-01	NUT	F
537 21 25-01	CYLINDER COVER	E	737 43 12-00	WRIST PIN CLIP	H
537 21 25-02	CYLINDER COVER	E	738 22 02-25	BALL BEARING-6202-C3 SKF	N
537 21 28-01	HANDLE CIRCUIT	Q	740 48 07-02	O-RING	A
537 21 29-01	THERMOSTAT	Q			