

372, 372 EPA, 362 Special, 362 Special EPA

Spare parts

Replaces

Ersatzteile

Ersetzt

Pièces détachées

Remplace

Reserve onderdelen

Vervangt

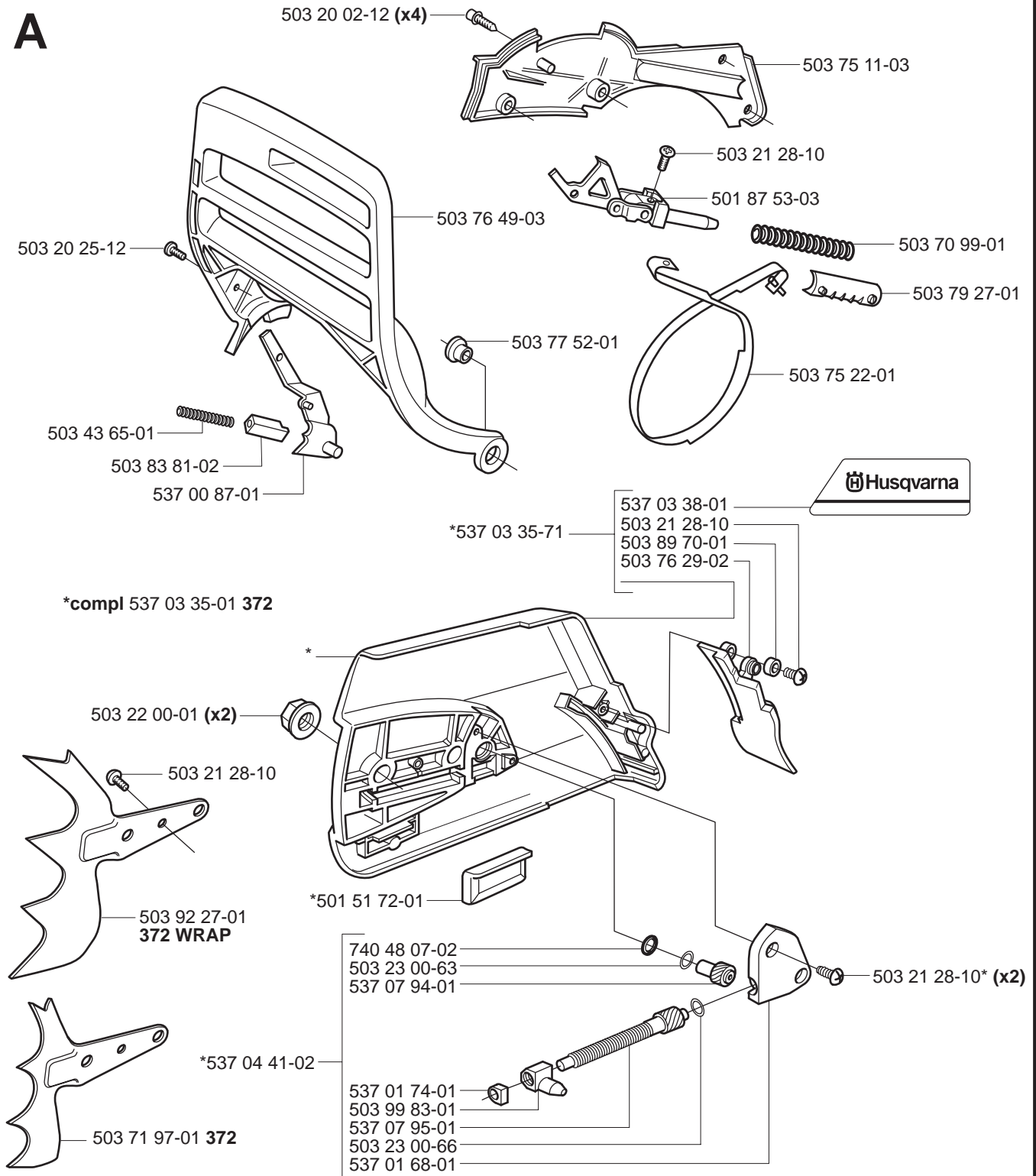
Repuestos

Reemplaza

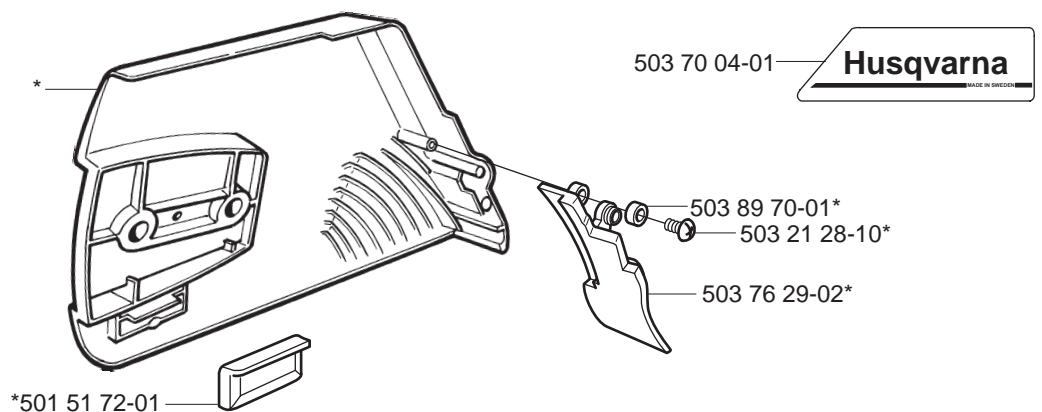
Reservdelar

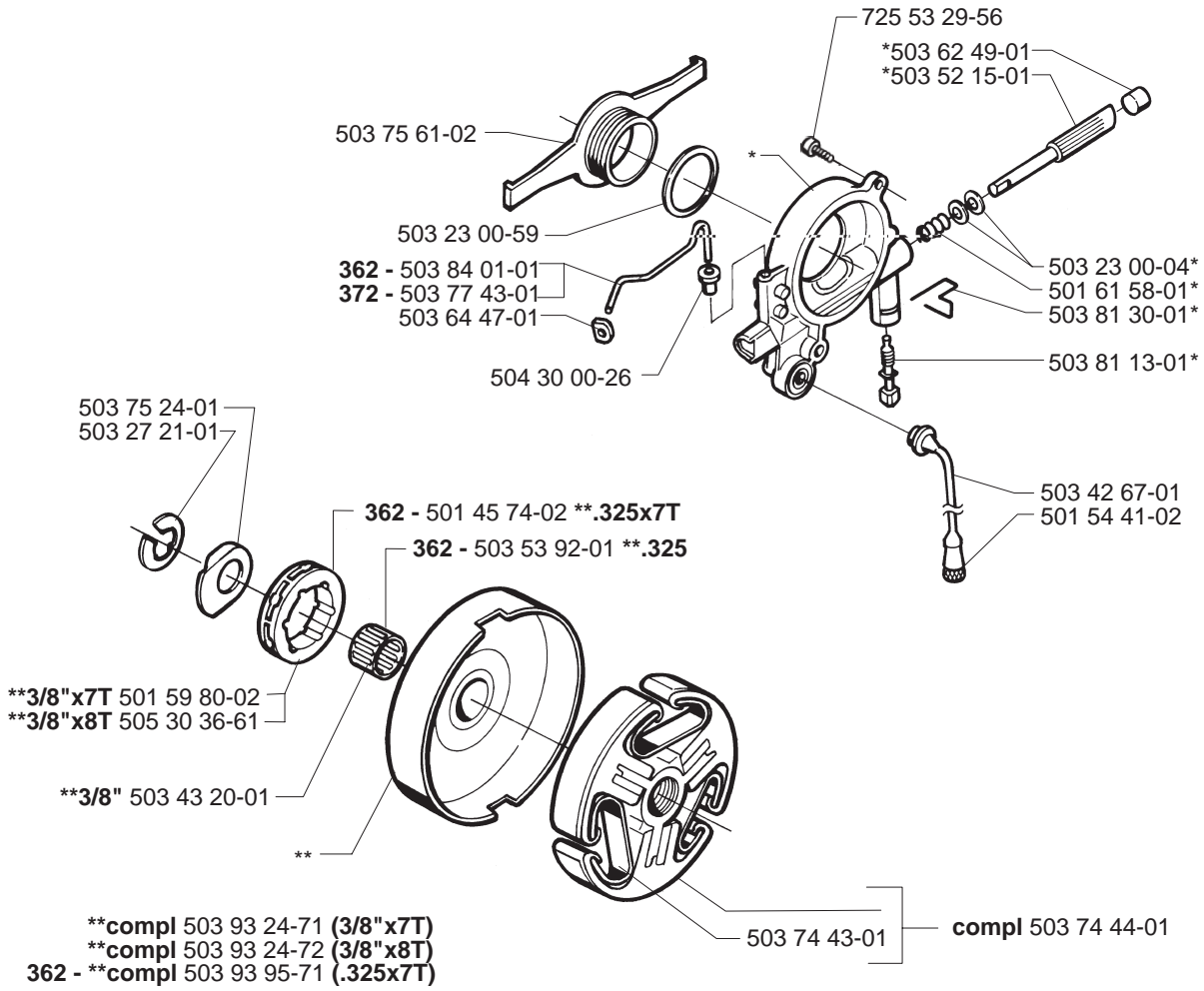
Ersätter

106 26 04-61

A**B**

*compl 503 76 92-01 362



C***compl 503 52 13-01****D**

***compl 503 62 78-07 Std**
****compl 503 62 78-08 Hd**

***503 62 80-01 Std**
****503 81 77-01 Hd**



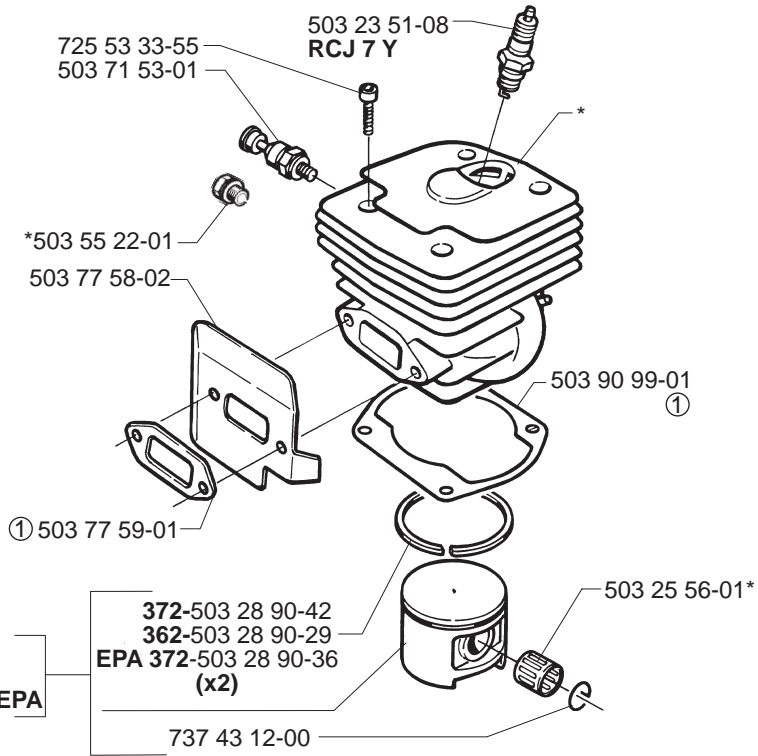
503 98 74-01* **

537 01 65-01

* **503 20 34-25

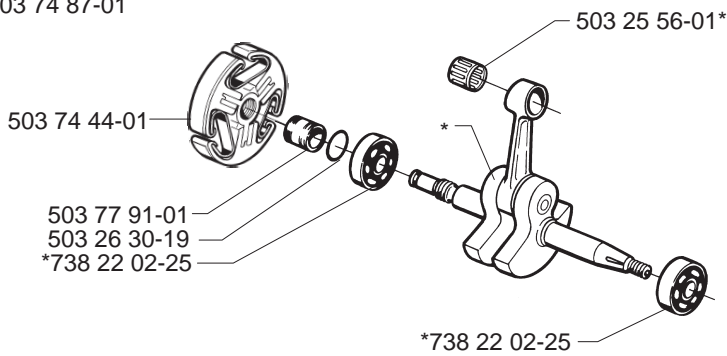
503 74 01-02* **

E *compl 503 62 64-73 - 372
 *compl 503 96 52-71 - 362
 *compl 503 93 93-72 - 372 EPA

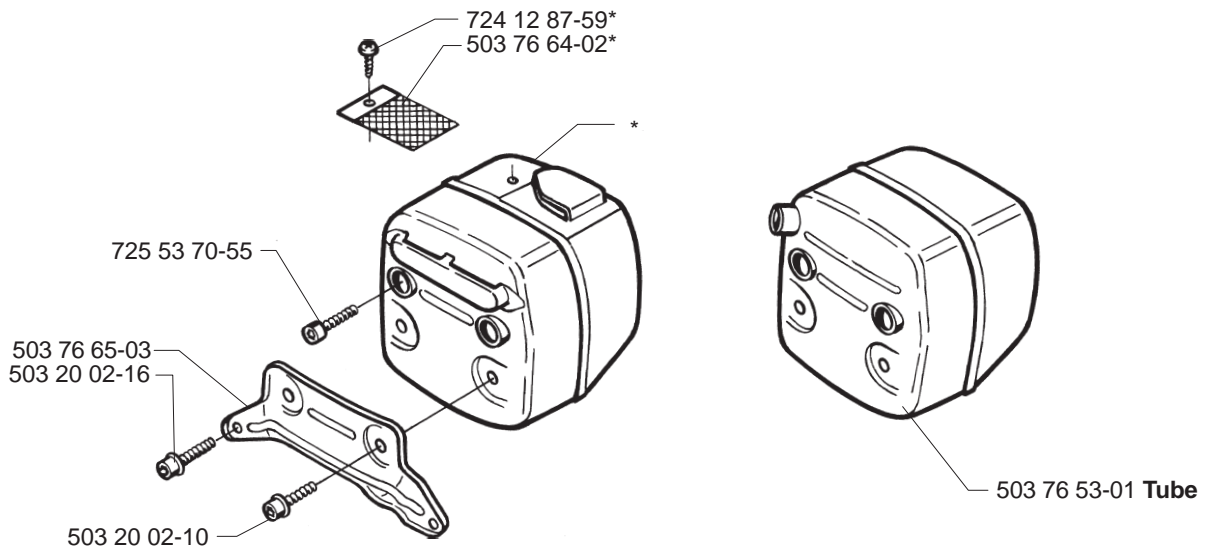


*compl 503 69 12-71 - 372
 *compl 503 69 14-71 - 362
 *compl 503 93 92-71 - 372 EPA

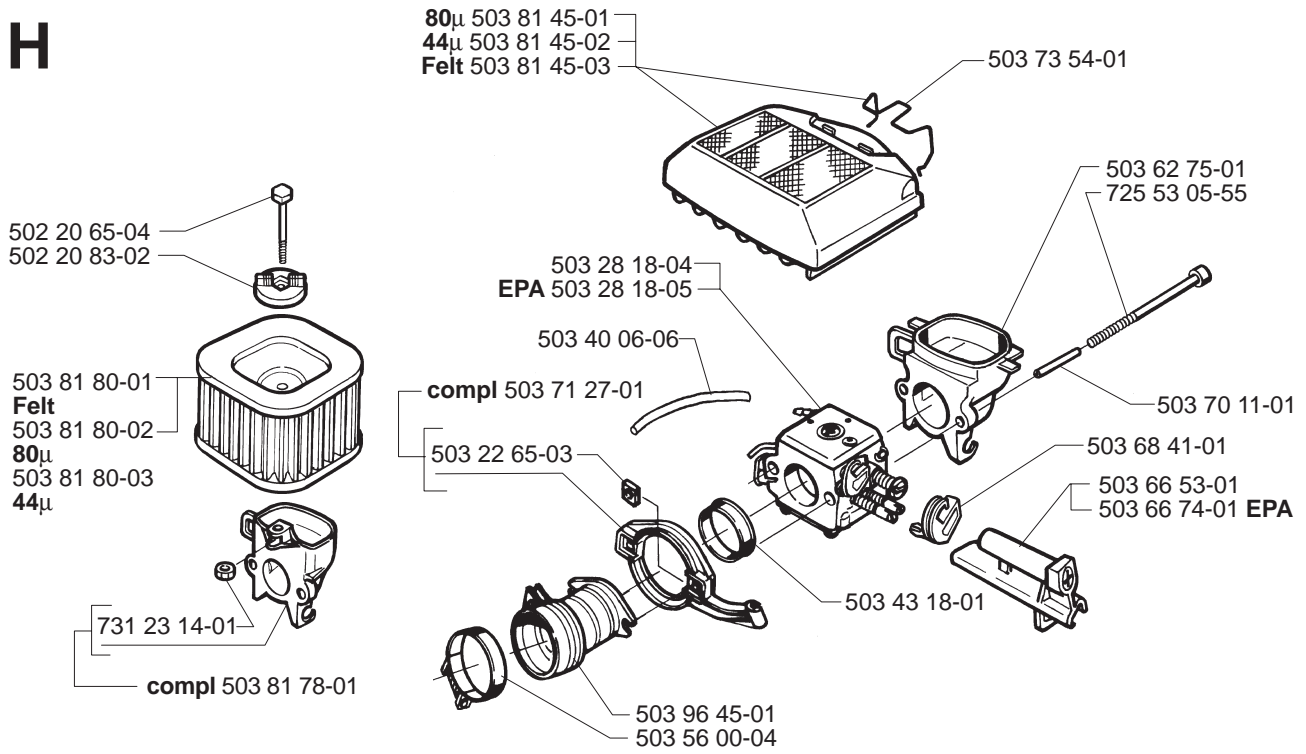
F *compl 503 74 87-01



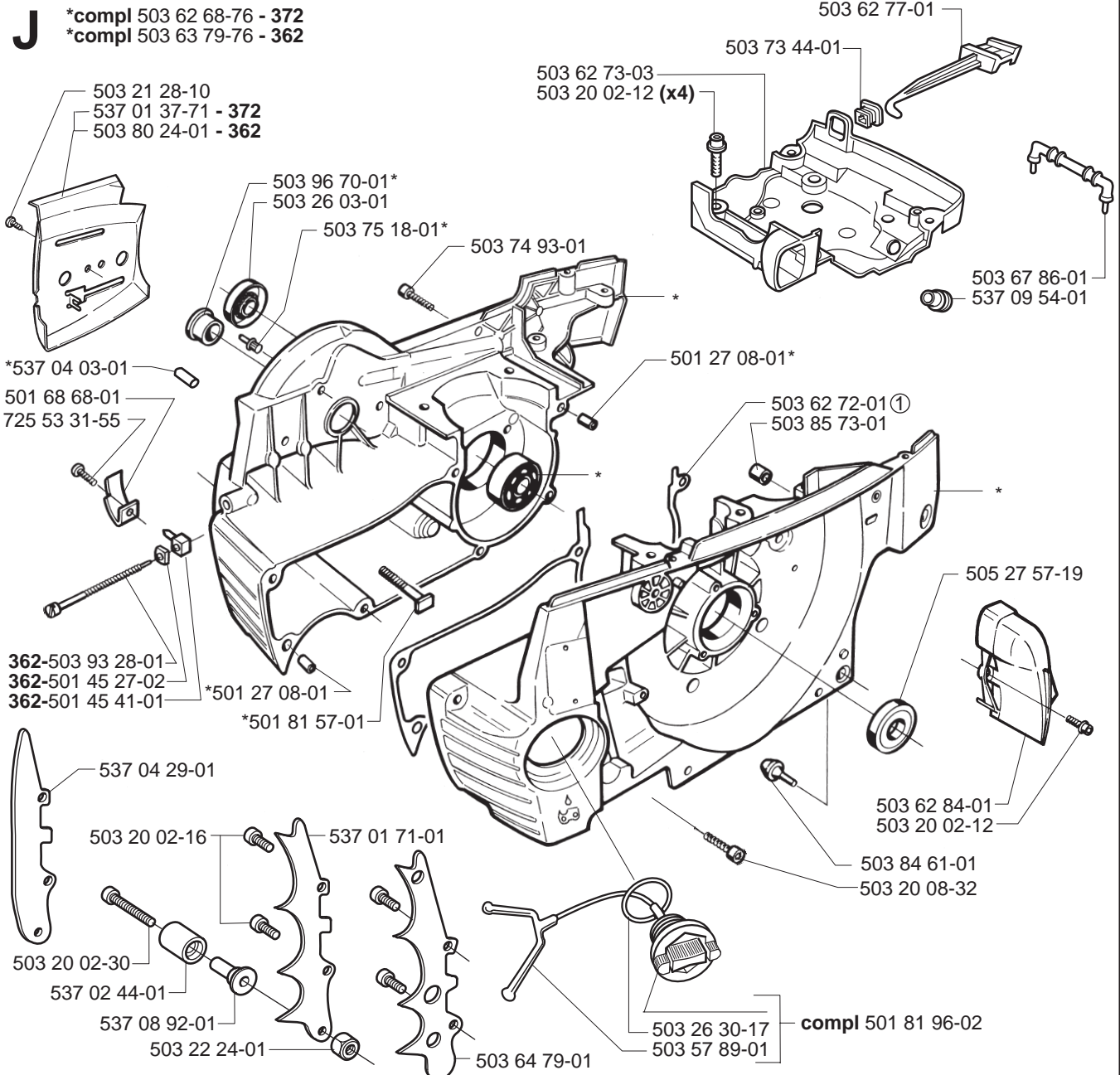
G compl 503 76 52-01 FG
 *compl 503 76 53-02 Jungle
 *compl 503 76 54-02 DF



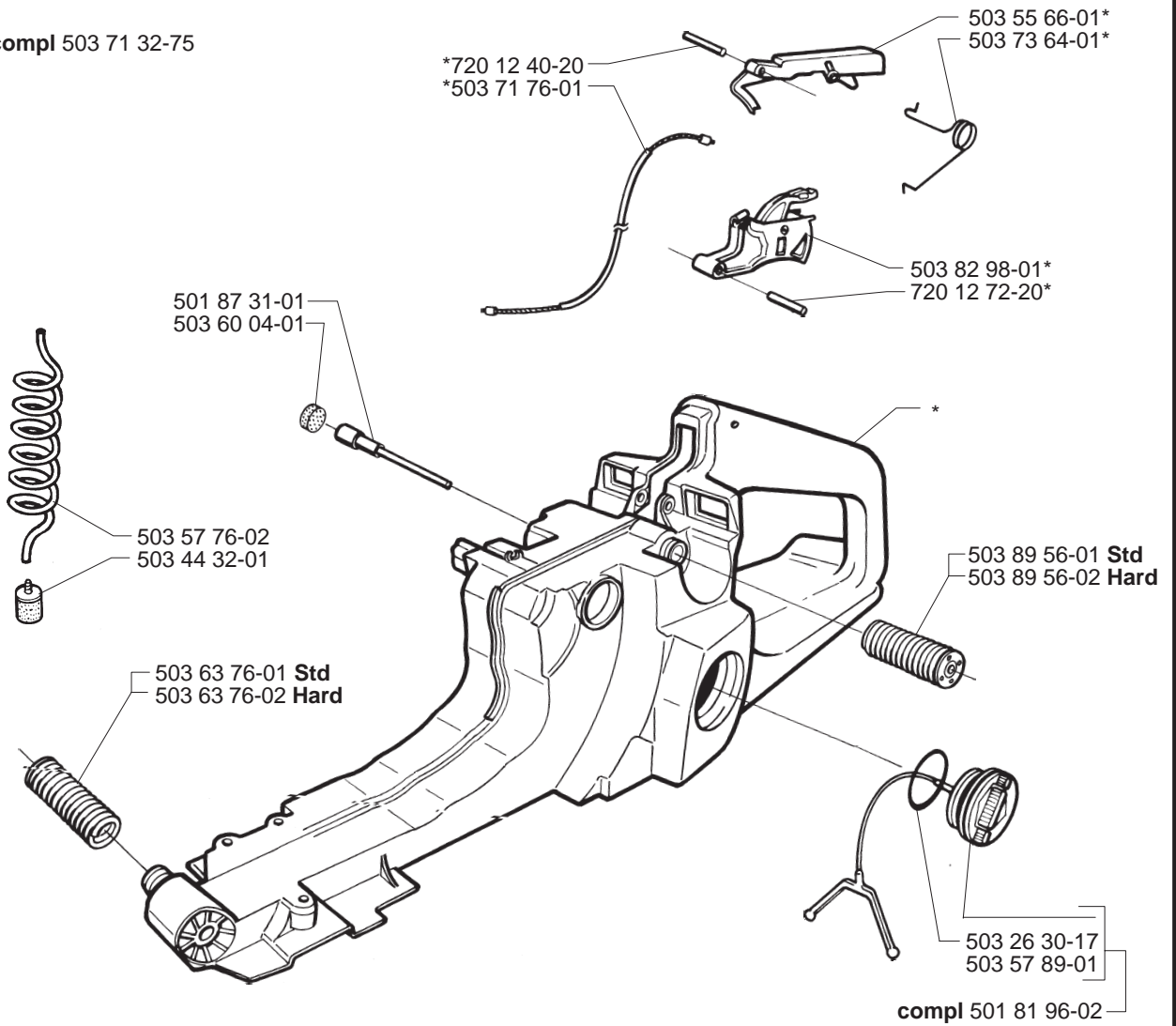
H



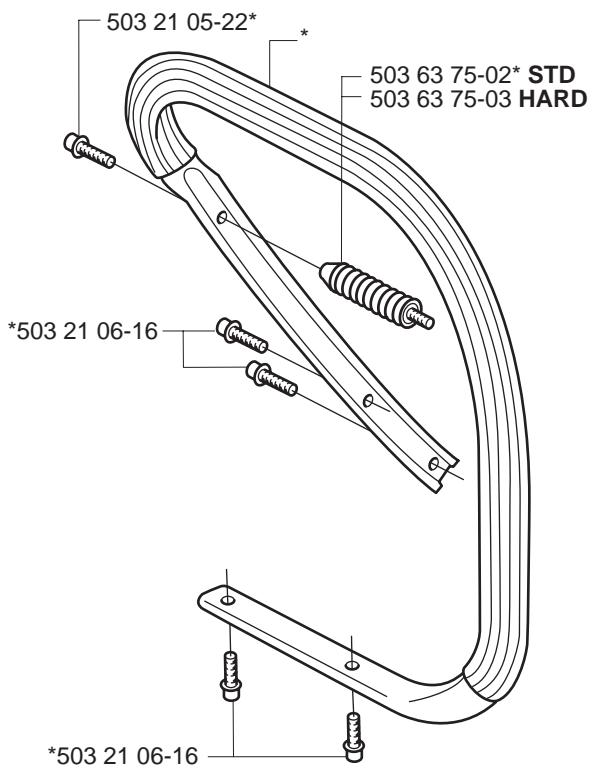
J



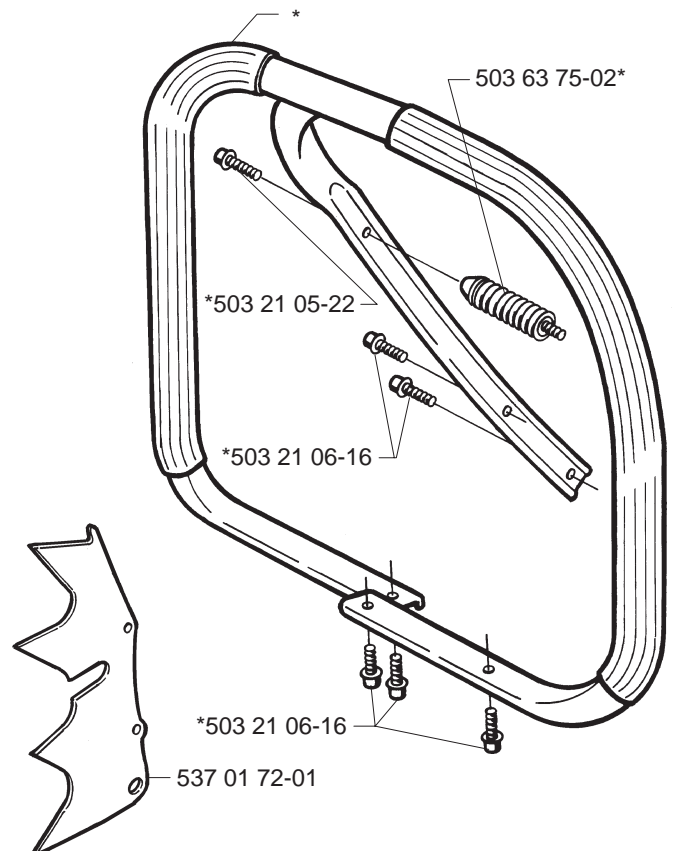
K *compl 503 71 32-75



L *compl 503 62 67-71



M *compl 503 62 86-71 WRAP
*compl 503 62 86-02 WA G



N

*compl 537 08 72-01

*537 07 13-01

*537 06 04-01

537 07 18-01 (G)

503 20 26-16 (G)

503 23 01-01

503 22 10-11

503 55 49-01 (G)*

537 07 14-01*

501 67 35-01

503 23 00-42

537 01 55-01

501 81 99-01

compl 537 05 16-06 (G)

501 43 00-01

*503 23 85-65

*compl 537 01 59-01

*503 64 02-01 (G)

501 80 24-03 (G)

503 20 26-16 (G)

503 23 01-01

503 22 10-11

(G) 501 43 00-01*

(G)*

501 67 35-01

503 23 00-42

537 01 55-01

501 81 99-01

compl 537 05 16-04 (G)

729 42 21-01 (G)

501 48 54-02

503 71 82-01

503 70 59-01 (G)

503 62 61-01

503 89 76-01

503 21 28-10

*compl 503 62 67-72 (G)

*503 21 05-22

503 23 01-01

503 22 10-11

503 68 45-02*

537 16 22-01

503 20 02-20 (x2)

501 67 35-01

503 23 00-42

537 01 55-01

501 81 99-01

compl 537 05 16-05

503 21 06-16*

P

*compl 503 62 81-71

503 62 83-01

503 54 39-01*

501 20 15-02*

*503 21 06-16

*503 23 43-02

*503 85 96-01

*503 78 72-01

*503 20 34-19 (x4)

**501 63 06-01

537 08 67-01* **

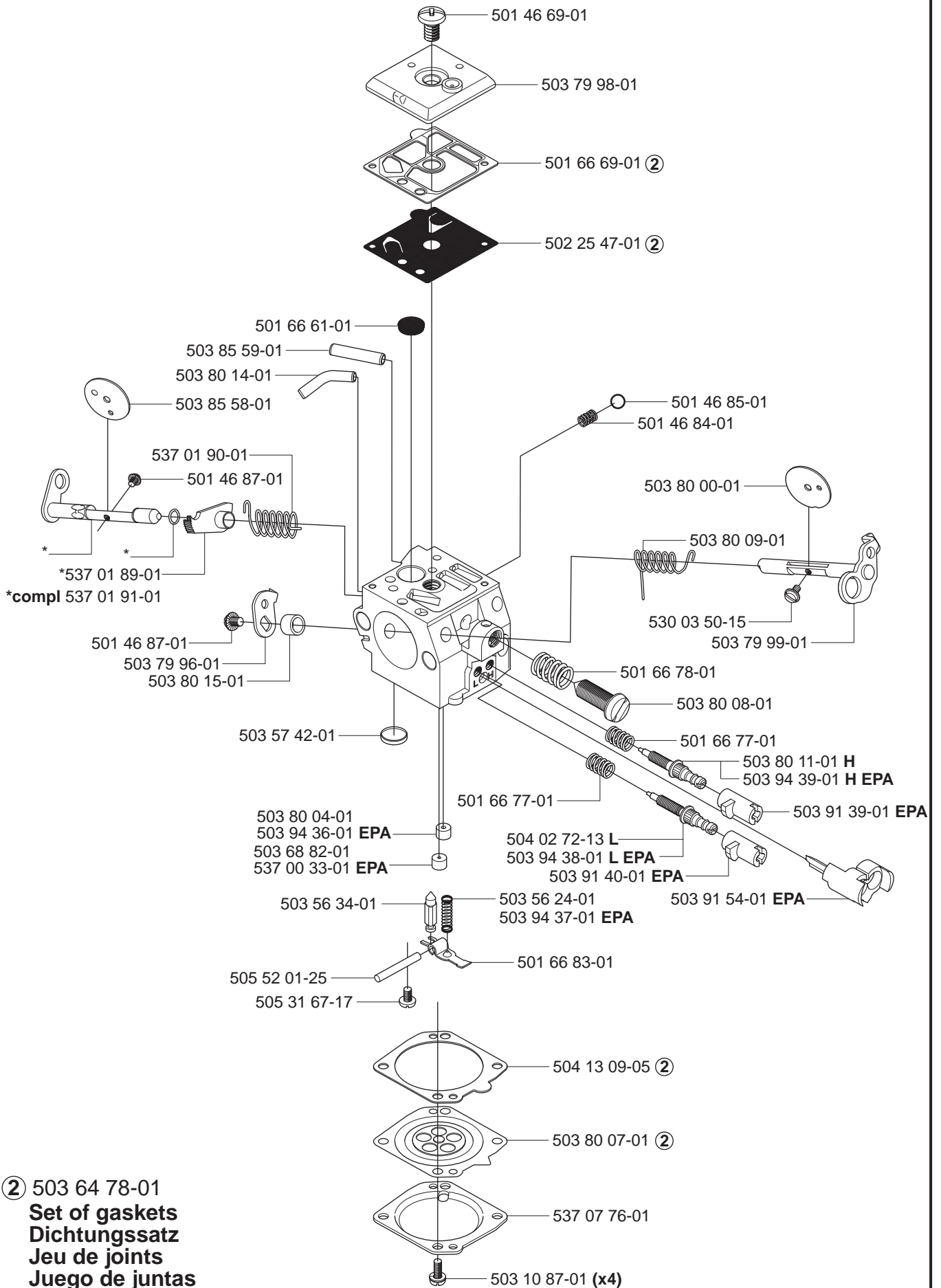
* **compl 503 62 82-02 * **

(XP) 537 08 65-10 362

(XPG) 537 08 65-11 362

(XP) 537 08 65-07 372

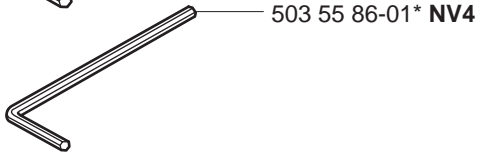
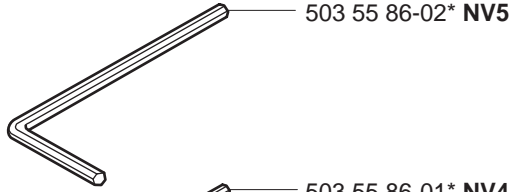
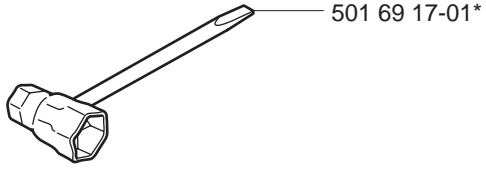
(XPG) 537 08 65-08 372



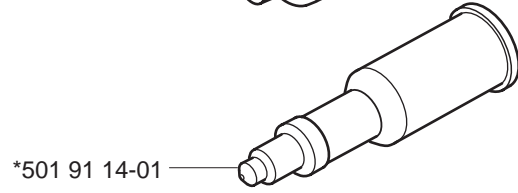
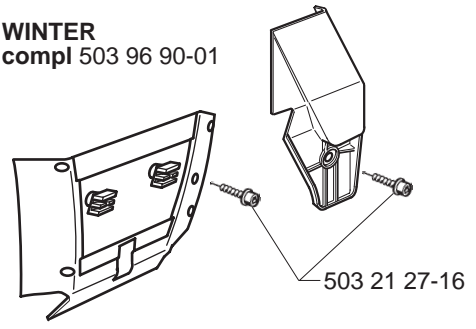
② 503 64 78-01
Set of gaskets
Dichtungssatz
Jeu de joints
Juego de juntas
Packningssats

R Accessories
Zubehöre
Accessories
Accesorios
Tillbehör

*compl 503 55 85-01



WINTER
compl 503 96 90-01



MODEL 372, 372 EPA, 362 Special, 362 Special EPA

PART NUMBER	SQUARE NOTE	PART NUMBER	SQUARE NOTE	PART NUMBER	SQUARE NOTE	PART NUMBER	SQUARE NOTE
501 20 15-02	P	503 28 90-42	E	503 71 76-01	K	503 92 27-01	A
501 27 08-01	J	503 40 06-06	H	503 71 82-01	N	503 93 24-71	C
501 43 00-01	N	503 42 67-01	C	503 71 97-01	A	503 93 24-72	C
501 45 27-02	J	503 43 18-01	H	503 73 44-01	J	503 93 28-01	J
501 45 41-01	J	503 43 20-01	C	503 73 54-01	H	503 93 92-71	E
501 45 74-02	C	503 43 65-01	A	503 73 64-01	K	503 93 93-72	E
501 46 69-01	Q	503 44 32-01	K	503 74 01-02	D	503 93 95-71	C
501 46 84-01	Q	503 52 13-01	C	503 74 43-01	C	503 94 36-01	Q
501 46 85-01	Q	503 52 15-01	C	503 74 44-01	C,F	503 94 37-01	Q
501 46 87-01	Q	503 53 92-01	C	503 74 87-01	F	503 94 38-01	Q
					N		EPA
501 48 54-02	N	503 54 39-01	P	503 74 93-01	J	503 94 39-01	Q
501 51 72-01	A,B	503 55 22-01	E	503 75 11-03	A	503 96 45-01	H
501 54 41-02	C	503 55 49-01	N	503 75 18-01	J	503 96 52-71	E
501 59 80-02	C	503 55 66-01	K	503 75 22-01	A	503 96 70-01	J
501 61 58-01	C	503 55 85-01	R	503 75 24-01	C	503 96 90-01	R
501 63 06-01	P	503 55 86-01	R	503 75 61-02	C	503 98 74-01	D
501 66 61-01	Q	503 55 86-02	R	503 76 29-02	A,B	503 99 83-01	A
501 66 69-01	Q	503 56 00-04	H	503 76 49-03	A	504 02 72-13	Q
501 66 77-01	Q	503 56 24-01	Q	503 76 52-01	G	504 13 09-05	Q
501 66 78-01	Q	503 56 34-01	Q	503 76 53-01	G	504 30 00-26	C
							2
501 66 83-01	Q	503 57 42-01	Q	503 76 53-02	G	505 27 57-19	J
501 67 35-01	N	503 57 76-02	K	503 76 54-02	G	505 30 36-61	C
501 68 68-01	J	503 57 89-01	J,K	503 76 64-02	G	505 31 67-17	Q
501 69 17-01	R	503 60 04-01	K	503 76 65-03	G	505 52 01-25	Q
501 80 24-03	N	503 62 12-01	R	503 76 92-01	B	530 03 50-15	Q
501 81 57-01	J	503 62 49-01	C	503 77 43-01	C	537 00 33-01	Q
501 81 96-02	J,K	503 62 61-01	N	503 77 52-01	A	537 00 87-01	A
501 81 99-01	N	503 62 64-73	E	503 77 58-02	E	537 01 37-71	J
501 87 31-01	K	503 62 67-71	L	503 77 59-01	E	537 01 55-01	N
501 87 53-03	A	503 62 67-72	N	503 77 91-01	F	537 01 59-01	N
					N		EPA
501 91 14-01	R	503 62 68-76	J	503 78 72-01	P	537 01 65-01	D
502 20 65-04	H	503 62 72-01	J	503 79 27-01	A	537 01 68-01	A
502 20 83-02	H	503 62 73-03	J	503 79 96-01	Q	537 01 71-01	J
502 25 47-01	Q	503 62 75-01	H	503 79 98-01	Q	537 01 72-01	M
503 10 87-01	Q	503 62 77-01	J	503 79 99-01	Q	537 01 74-01	A
503 20 02-10	G	503 62 78-07	D	503 80 00-01	Q	537 01 89-01	Q
503 20 02-12	A,J	503 62 78-08	D	503 80 04-01	Q	537 01 90-01	Q
503 20 02-16	G,J	503 62 80-01	D	503 80 07-01	Q	537 01 91-01	Q
503 20 02-20	N	503 62 81-71	P	503 80 08-01	Q	537 02 44-01	J
503 20 02-30	J	503 62 82-02	P	503 80 09-01	Q	537 03 35-01	A
503 20 08-32	J	503 62 83-01	P	503 80 11-01	Q	537 03 38-01	A
503 20 25-12	A	503 62 84-01	J	503 80 14-01	Q	537 04 03-01	J
503 20 26-16	N	503 62 86-02	M	503 80 15-01	Q	537 04 29-01	J
503 20 34-19	P	503 62 86-71	M	503 80 24-01	J	537 04 41-02	A
503 20 34-25	D	503 63 75-02	L,M	503 81 13-01	C	537 05 16-04	N
503 21 05-22	L,M,N	503 63 75-03	L	503 81 30-01	C	537 05 16-05	N
503 21 06-16	L,N,M,P	503 63 76-01	K	503 81 45-01	H	537 05 16-06	N
503 21 27-16	R	503 63 76-02	K	503 81 45-02	H	537 06 04-01	N
503 21 28-10	A,B,J,N	503 63 79-76	J	503 81 45-03	H	537 07 13-01	N
503 22 00-01	A	503 64 02-01	N	503 81 77-01	D	537 07 14-01	N
503 22 10-11	N	503 64 47-01	C	503 81 78-01	H	537 07 18-01	N
503 22 24-01	J	503 64 72-01	1=compl	503 81 80-01	H	537 07 76-01	Q
503 22 65-03	H	503 64 78-01	Q	503 81 80-02	H	537 07 94-01	A
503 23 00-04	C	2=compl,N		503 81 80-03	H	537 07 95-01	A
503 23 00-42	N	503 64 79-01	J	503 82 98-01	K	537 08 65-07	P
503 23 00-59	C	503 66 53-01	H	503 83 81-02	A	537 08 65-08	P
503 23 00-63	A	503 66 74-01	H	503 84 01-01	C	537 08 65-10	P
503 23 01-01	N	503 67 86-01	J	503 84 61-01	J	537 08 65-11	P
503 23 43-02	P	503 68 41-01	H	503 85 58-01	Q	537 08 67-01	P
503 23 51-08	E	503 68 45-02	N	503 85 59-01	Q	537 08 72-01	N
503 23 85-65	N	503 68 82-01	Q	503 85 73-01	J	537 08 92-01	J
503 25 56-01	E,F	503 69 12-71	E	503 85 96-01	P	537 09 54-01	J
503 26 03-01	J	503 69 14-71	E	503 89 56-01	K	537 16 22-01	N
503 26 30-17	J,K	503 70 04-01	B	503 89 56-02	K	720 12 40-20	K
503 26 30-19	F	503 70 11-01	H	503 89 70-01	A,B	720 12 72-20	K
503 27 21-01	C	503 70 59-01	N	503 89 76-01	N	724 12 87-59	G
503 28 18-04	H,Q	503 70 99-01	A	503 90 99-01	E	725 53 05-55	H
503 28 18-05	H,Q	503 71 27-01	H	503 91 39-01	Q	725 53 29-56	C
503 28 90-29	E	503 71 32-75	K	503 91 40-01	Q	725 53 31-55	J
503 28 90-36	E	503 71 53-01	E	503 91 54-01	Q	725 53 33-55	E
					EPA		N
					EPA		
					EPA		

1 = 503 64 72-01
2 = 503 64 78-01

Set of gaskets, Dichtungssatz,
Jeu de joints, Juego de juntas,
Packningssatz

N = New part, Neues teil,
Nouvelle piece, Nueva pieza
Ny detalj

EPA = Environmental Protection Agency
(for USA only)

MODEL 372, 372 EPA, 362 Special, 362 Special EPA

PART NUMBER	SQUARE NOTE	PART NUMBER	SQUARE NOTE	PART NUMBER	SQUARE NOTE	PART NUMBER	SQUARE NOTE
725 53 70-55	G						
729 42 21-01	N						
731 23 14-01	H						
737 43 12-00	E						
738 22 02-25	F						
740 48 07-02	A						

1 = 503 64 72-01
2 = 503 64 78-01

Set of gaskets, Dichtungssatz,
Jeu de joints, Juego de juntas,
Packningssatz

N = New part, Neues teil,
Nouvelle piece, Nueva pieza
Ny detalj

EPA = Environmental Protection Agency
(for USA only)