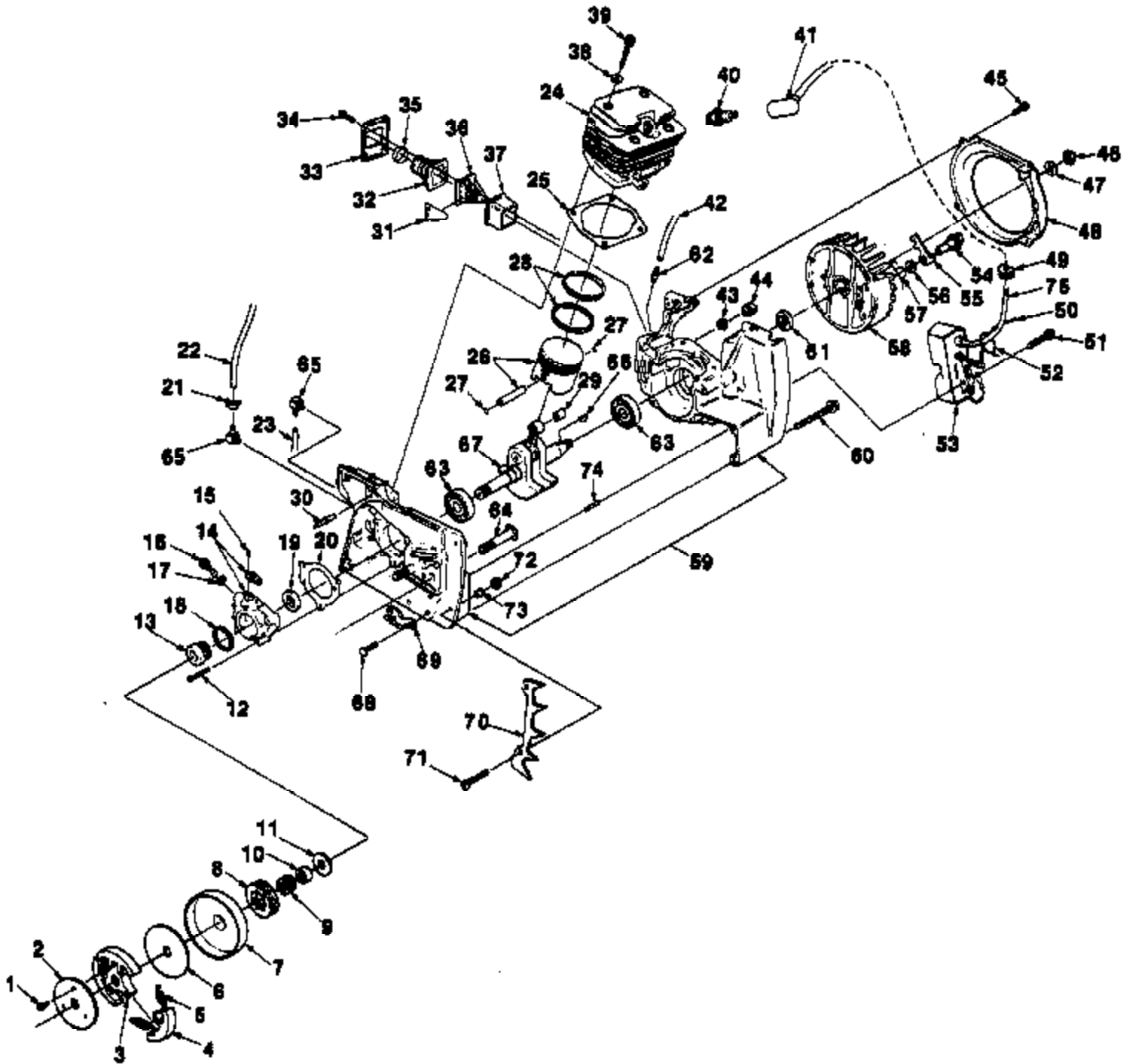
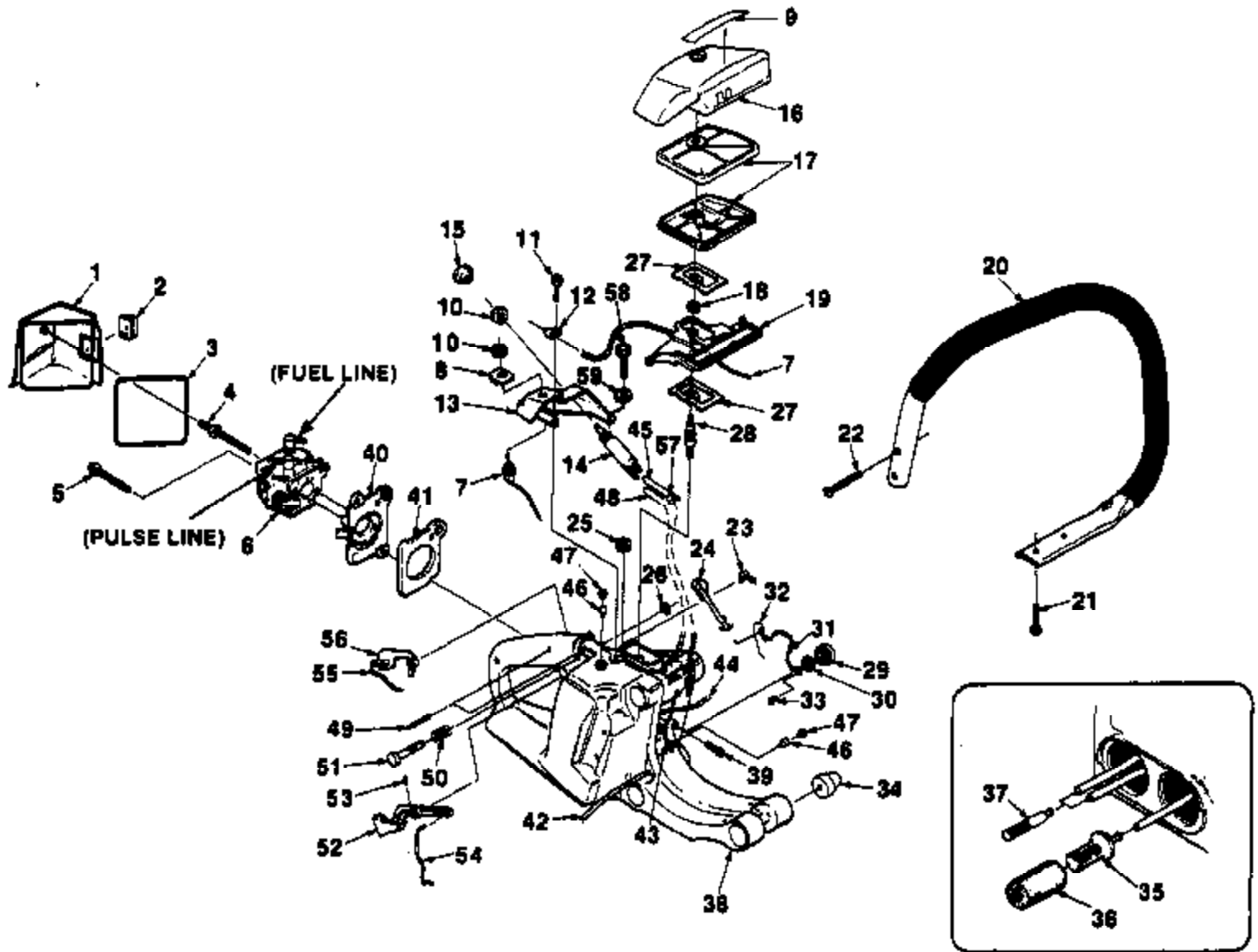


Ref #	Part Number	Qty	Description
	A96941B	1	KIT- Chain brake
1	A97374	1	COVER- Drivecase
2	97587	1	BUMPER- Foam
3	93439	1	SHIELD- Sawdust
4	81204	1	NUT- Hex (1/4-20)
5	85154	1	RIVET- Pan hd.
6	95839	1	BUSHING
7	93435	1	CLIP- Spring
8	A93485D	1	GUARD- Hand (w/brake)
9	93436	1	RIVET- Truss hd.
10	93495	1	SPACER
11	93488	1	LINK- Pivot
12	934901	1	BAND- Brake
13	59751	1	PIN- Dowel
14	96990A	1	DECAL
15	93464	1	RING- Retaining
16	93482	1	SHIELD
17	82251	2	SCREW- Pan hd. (6-32 x 3/8")
18	93481	1	PLATE- Guide bar (outer)
19	93492	1	SCREW- Shoulder
20	93491	1	SPRING
21	93489	1	SPRING- Torsion
22	93466	1	WASHER- Flat
23	801361	1	SCREW- (1/4-20 x 3/8")
24	93039	1	PIN- Guide bar adjusting
25	63367	1	SCREW- Guide bar adjusting
26	810892	1	NUT
27	70399	1	PLATE- Guide bar (inner)
28	A98629	1	COVER- Cylinder
29	93397A	3	SCREW
30	98646	1	DECAL- Ansi
31	95479A	2	WASHER- Flat



Ref #	Part Number	Qty	Description
1	82253	3	SCREW- Pan hd. (8-32 x 3/8")
2	93628	1	COVER- Clutch
3	93639	1	SPIDER- Clutch
4	A93632B	3	SHOE- Clutch
5	93814A	3	SPRING- Clutch
6	93650	1	WASHER- Thrust
7	A94302	1	DRUM & HUB
8	95058A	1	SPROCKET 3/8" pitch 7 tooth
	A95465	1	SPROCKET & DRUM (spur type 3/8" 7T)
9	64124	1	BEARING- Needle
10	64129A	1	RACE- Inner
11	63462	1	WASHER- Thrust
12	80660	3	SCREW- Fil. hd. (10-24 x 7/8")
13	93336	1	WORM- Oil pump
14	A93319	1	PUMP- Automatic oil
15	80919	2	SCREW- (4-40 x 1/4")
16	64102A	1	SCREW- Cam
17	59736	1	GASKET
18	59926	1	SEAL- Felt
19	12282A	1	SEAL
20	93329	1	GASKET
21	93426	1	CLAMP
22	9477220	1	TUBING 5" (manual delivery)
23	7031023	1	TUBING- 6 3/4" (auto oil pick-up)
24	A00901	1	CYLINDER
25	93338	1	GASKET
26	A977942	1	PISTON
27	64813	2	RING- Retaining
28	93216	2	PISTON- Ring
29	97566	1	NEEDLE- Bearing (after lot #E286)
30	96865	1	PIN- Dowel
31	93325	4	REED
32	93327	1	CONNECTOR- Carburetor
33	93328	1	RETAINER- Reed valve
34	80582	4	SCREW- Washer hd. (8-32 x 5/8")
35	93323	1	STIFFNER- Connector (for units prior to Lot #C300)
36	93324	1	SEAT- Reed valve
37	93326A	1	RETAINER- Reed
38	12021	4	WASHER- Conical
39	93399	4	SCREW- Soc hd. (10-24 x 1 1/8")
40	96169S	1	SPARK PLUG (DJ7Y)
41	A33055	1	TERMINAL- Spark plug
42	9315719	1	TUBING- 4 3/4"
43	81208	4	NUT- Centerlock (10-24)
44	12689A	2	RETAINER- Nut
45	82251	4	SCREW- Pan hd. (6-32 x 3/8")
46	81255	1	NUT- Lock (3/8-24)
47	95479A	1	WASHER- Flat
48	93312	1	SCROLL- Air guide
49	58318	1	GROMMET
50	A01931	1	SWITCH & LEAD See Handles, Air Filter & Carburetor index #7 for breakdown)
51	88052	2	SCREW- Hex Sems (10-24 x 7/8")
52	50729	1	CLAMP- Wire
53	A93414	1	MODULE
54	64054C	2	BOLT- Shoulder
55	58756A	2	PAWL- Starter

Ref #	Part Number	Qty	Description
56	84115	2	WASHER- Flat
57	011011	2	SPRING- Starter pawl
58	93313	1	ROTOR
59	A93441	1	CRANKCASE
60	88056	5	SCREW- (10-24 x 1 3/4")
61	12282A	1	SEAL
62	69833	1	FITTING
63	94621	2	BEARING- Ball
64	93310	2	BOLT- Guide bar
65	70204	2	FITTING
66	75078	1	KEY- Woodruff
67	A97567A	1	CRANKSHAFT
	93369	1	BEARING- Needle (prior to lot #E286) (See index #29)
	94621	1	BEARING- Ball (see index #63)
	97566	1	BEARING- Needle (long) (see index #29) (after lot #E286)
68	88042	2	SCREW- Hex Sems (8-32 x 1/2")
69	70705	1	STOP- Chain
70	A93445B	1	KIT- Spiked bumper
71	97636	2	SCREW- (10-24 x 1/2")
72	81261	2	NUT
73	97633	2	WASHER- Sealing
74	31062	2	PIN- Dowel
75	69326	1	LEAD- High tension
	DA70790B	1	SAFE-T-TIP (not shown)
	82335	1	SCREW



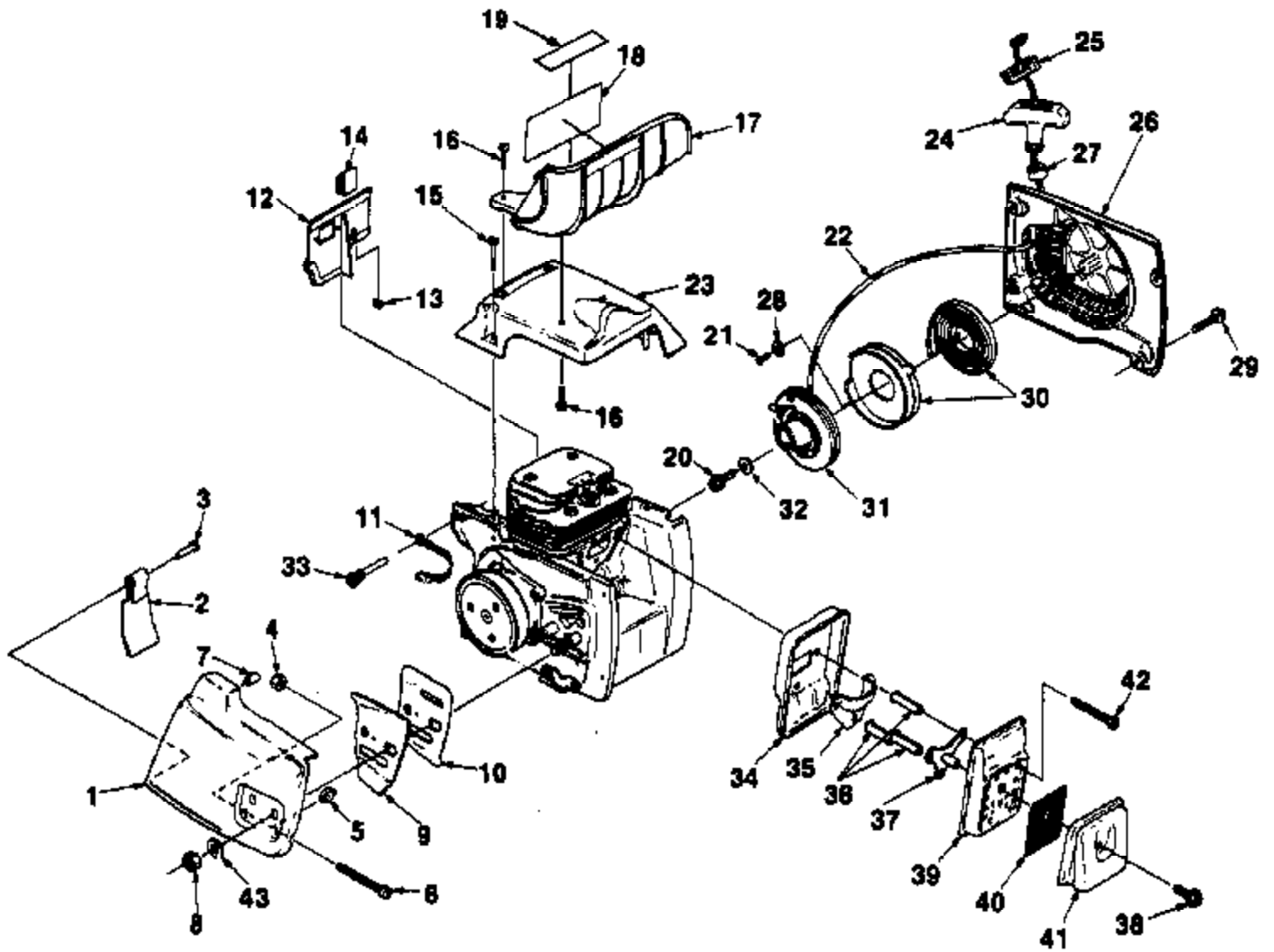
Ref #	Part Number	Qty	Description
1	A934312	1	COVER- Carburetor
2	93470	1	GROMMET (Hi-Lo)
3	01160	1	GASKET- Carburetor
4	93468	1	STUD- Shoulder
5	93460	1	SCREW- Hex Sems (10-24 x 17/8")
6	A97102	1	CARBURETOR (Walbro)
7	A01931	1	SWITCH & LEAD
8	12793A	1	PLATE- Indicating
9	00276	1	LABEL- Warning
10	72084A1	3	NUT- Toggle switch
11	88049	1	SCREW- Hex Sems hd. (10-24 x 1/2")
12	96717	1	CLAMP- Wire
13	932151	1	PANEL- Rear
14	A96976	1	PUMP- Manual oil
15	65084	1	BUTTON
16	A97094	1	COVER- Air filter
17	A93401	1	FILTER- Air
18	93389	1	RING- Retaining
19	93364	1	SUPPORT- Filter cover
20	A93409C	1	HANDLE BAR
21	88052	2	SCREW- Hex Sems (10-24 x 7/8")
22	82389	2	SCREW- (10-24 x 1 1/4")
23	93381	1	RETAINER- Choke
24	93372	1	ROD- Choke
25	69889	1	BOOT- Throttle rod
26	93377	1	RING- Retaining
27	97635	2	GASKET FILTER & SUPPORT
28	93382A	1	STUD- Threaded
29	A97799	1	CAP- Fuel (red)
	A97798	1	CAP- Oil (black)
30	98805	2	GASKET- Fuel & Oil Cap
31	69502	2	BEAD- Chain
32	96535	2	RETAINER- Filler cap
33	82256A	2	SCREW- Plastite
34	93368A	6	ISOLATOR
35	A97700	1	FILTER- Fuel
36	592531A	1	ELEMENT- Filter
37	A59009A	2	FILTER- Oil
38	A93446A	1	HOUSING- Engine
39	80022	3	SCREW- Soc hd. (8-32 x 1/2")
40	976231	1	ADAPTER- Carburetor
41	97622A	1	SPACER- Carburetor
42	7031023	1	TUBING- 6 3/4" (auto pick up)
43	9315719	1	TUBING- 4 3/4" (pulse line)
44	9477232	1	TUBING- 8 3/4" (fuel line pick up)
45	9477220	1	TUBING- 5" (Man. delivery)
46	69451	2	VALVE- Check
47	93410	2	FILTER- 11/32"
48	7031036	1	TUBING- 9 3/4" (man pick up)
49	68548	2	PIN- Trigger
50	93376	1	SPRING- Compression
51	93375	1	PIN- Throttle lock
52	A93374A	1	TRIGGER
53	82373	1	SCREW- Set (6-32 x 1/4")
54	93371A	1	ROD- Throttle
55	93386	1	SPRING- Flat
56	93385	1	LOCK- Trigger
57	93426	1	CLAMP

---

Ref #	Part Number	Qty	Description
58	82298	1	SCREW- Hex hd. (10-24 x 5/8")
59	83025	1	WASHER- Lock

---





Ref #	Part Number	Qty	Description
1	A96500	1	COVER- Drivecase
2	93439	1	SHIELD- Sawdust
3	85154	1	RIVET- Pan hd.
4	81204	1	NUT- Hex (1/4-20)
5	93039	1	PIN- Guide bar adj.
6	63367	1	SCREW- Guide bar adj.
7	95839	1	BUSHING
8	810892	2	NUT-(3/8-16)
9	70400	1	PLATE- Guide bar (outer) 410 only
10	70399	1	PLATE- Guide bar (inner)
11	A93459A	1	STRAP- Ground
12	A96866	1	DEFLECTOR- Air
13	93357	1	GROMMET
14	96200	1	SPRING- Clip
15	93397A	3	SCREW- Cylinder cover (8-32 x 7/8")
16	82312	4	SCREW- Threaded rolling plastite (#10 x 5/8")
17	A95092	1	GUARD- Hand
18	96990A	1	DECAL- Safety warning
19	98646	1	LABEL- Ansi
20	93417	1	SCREW- (#10 x 5/8")
21	82528	2	SCREW- Plastite (6 x 3/8")
22	A00518	1	ROPE- Starter (#5) 45"
23	931631	1	COVER- Cylinder (410 only)
24	A69962B	1	GRIP- Starter rope
25	70018A	1	INSERT- Rope retaining
26	A97988A	1	HOUSING- Starter
27	67177	1	BUSHING
28	84025	2	WASHER- Flat
29	82298	4	SCREW- Hex Sems (10-24 x 5/8")
30	A98067	1	SPRING & RETAINER
31	A97990	1	STARTER PULLEY & CUP
32	58763	1	WASHER- Retaining
33	93367	6	PIN- Isolator
34	93347	1	BODY- Muffler
35	93349	1	PLATE- Stiffner
36	9398303	3	SPACER- Muffler
37	A95062	1	SPACER & PLATE
38	88048	1	SCREW- Hex Sems (10-32 x 3/8")
39	933481A	1	COVER- Muffler
40	93344	1	SCREEN- Spark
41	A93355A	1	CAP- Muffler exhaust
42	94129	3	SCREW- Hex hd. (12-24 x 17/8")
43	95479A	2	WASHER- Flat

## ACCESSORIES & TOOLS

<b>WRENCH- Combination SILASTIC</b>	<b>A-24254-A 24823</b>	<b>BIT- Driver torx (isolator pin) 5/16 shank</b>	<b>24982-02</b>
<b>TUBING- Rubber 10' (fuel &amp; oil)</b>	<b>93112-99</b>	<b>KIT- Winter</b>	<b>A-96708</b>
<b>TUBING- Rubber 10' (pulse line)</b>	<b>93157-99</b>	<b>Includes:</b>	
<b>PAINT- Red</b>	<b>23475</b>	<b>GROMMET</b>	<b>93357</b>
<b>PULLER- Rotor</b>	<b>A-17106-B</b>	<b>CLIP- Spring</b>	<b>96200</b>
<b>Includes:</b>		<b>SPACER- Long bearing tool</b>	<b>97790</b>
<b>STUD- Hex hd.</b>	<b>17108</b>	<b>SPACER- Short bearing tool</b>	<b>97791</b>
<b>SCREW- Hex hd.</b>	<b>80627</b>	<b>ANVIL- Bearing installation</b>	<b>23546-4</b>
<b>RING- Retaining</b>	<b>93972</b>	<b>TOOL- Needle bearing (plug)</b>	<b>23758</b>
<b>WRENCH- Spanner</b>	<b>A-17145</b>	<b>TOOL KIT- Carburetor repair Ignition Test Spark Plug</b>	<b>17789 JA-31316-4</b>
<b>SHIM- Air gap (black)</b>	<b>24306</b>		
<b>COMPOUND- Thread locking</b>	<b>23488-C</b>		
<b>BIT- Driver torx (isolator pin) 1/4 shank</b>	<b>24982-01</b>		

## BAR & CHAIN COMBINATIONS

<b>BAR SIZE &amp; TYPE</b>	<b>BAR NUMBER</b>	<b>CHAIN DESCRIPTION</b>	<b>CHAIN NUMBER</b>
16" PT	PT-16381-G5	38-LE50-59	J1-92059-MB
GW	GW-16001-G5	38-LE50-59	
SP	SP-16381-H5	38-LE50-59	
20" PT	PT-20381-G5	38-LE50-70	J1-92070-MB
GW	GW-20001-G5	38-LE50-70	
SP	SP-20381-H5	38-LE50-70	
24" PT	PT-24381-G5	38-LE50-81	J1-92081-MB
GW	GW-24001-G5	38-LE50-81	
SP	SP-24381-H5	38-LE50-81	
28" SP	SP-28381-H5	38-LE50-92	J1-92092-MB
30" GW	GW-30001-G5	38-LE50-98	J1-92098-MB
31" SP	SP-31381-H5	38-LE50-103	J1-92103-MB

Ref #	Part Number	Qty	Description
	A24284A		WRENCH- Combination
	24823		SILASTIC
	9311299		TUBING- Rubber 10' (fuel & oil)
	9315799		TUBING- Rubber 10' (pulse line)
	23475		PAINT- Rod
	A17106B		PULLER- Rotor
	17108		STUD- Hex hd.
	80627		SCREW- Hex hd.
	93972		RING- Retaining
	A-17146		WRENCH- Spanner
	24306		SHIM- Air gap (black)
	23488C		COMPOUND- Thread locking
	2498201		BIT- Driver torx (isolator pin) 1/4 shank
	2498202		BIT- Driver torx (isolator pin) 5/16 shank
	A-96708		KIT- Winter
	93357		GROMMET
	96200		CLIP- Spring
	97790		SPACER- Long bearing tool
	97791		SPACER- Short bearing tool
	238464		ANVIL- Bearing Installation
	23756		TOOL- Needle bearing (plug)
	17789		TOOL KIT- Carburetor repair
	JA313164		Ignition Test Spark Plug
	J192059MB		16" PT - PT-16381-G5 - 38-LE50-59
			GW - GW-16001-G5 - 38-LE50-59
			SP - SP-16381-H5 - 38-LE50-59
	J192070MB		20" PT - PT-20381-G5 - 38-LE50-70
			GW - GW-20001-G5 - 38-LE50-70
			SP - SP-20381-H5 - 38-LE50-70
	J192081MB		24" PT - PT-24381-G5 - 38-LE50-81
			GW - GW-24001-G5 - 38-LE50-81
			SP - SP-24381-H5 - 38-LE50-81
	J192092MB		28" SP - SP-28381-H5 - 38-LE50-92
	J192098MB		30" GW - GW-30001-G5 - 38-LE50-98
	J192103MB		31" SP - SP-31381-H5 - 38-LE50-103