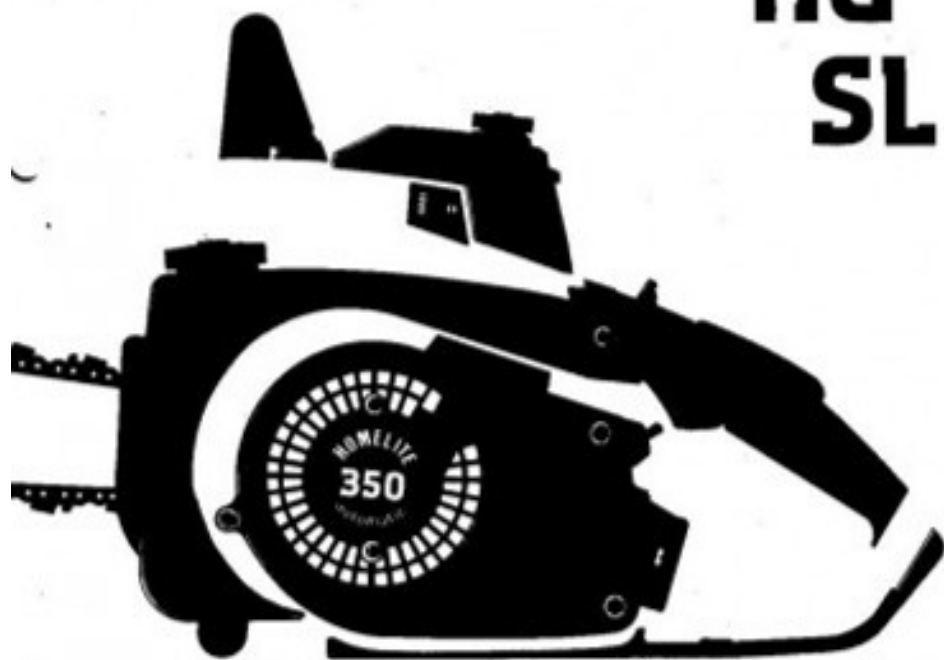


parts list

350 automatic chain saws

HG SL



printed in U.S.A.

HOMELITE

price .35
part no. 24820

350 · 350HG · 350SL automatic saws

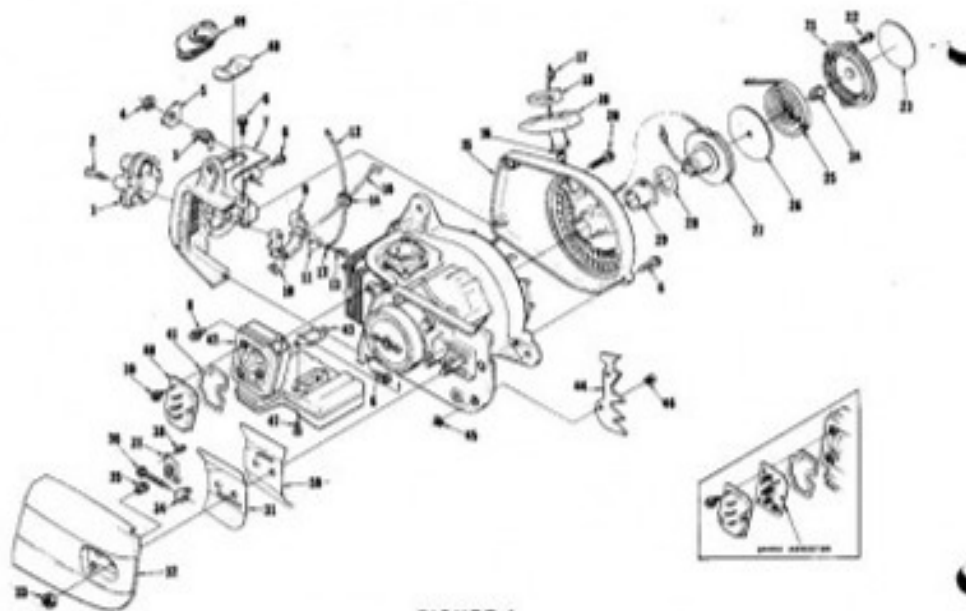


FIGURE 1

No.	Description	Part No.	Qty.	No.	Description	Part No.	Qty.
* 1	TRANSFORMER	A-12285	1	*39	HOUSING-starter cup	12004	1
* 2	Includes: SCREW-Plastic	12193-A	2	*40	PLATE-guide bar (steel)	12162	1
	GROMMET-rot shown	12191	1	*41	PLATE-guide bar (steel)	12163	1
3	SWITCH-grounding	A-97630-3	1	*42	COVER-drivecase	A-12286-1	1
4	Includes: NUT	12192	1	33	NUT-les. 5/16-18	81296	2
* 5	"ON-OFF" PLATE	12194	1	*34	ADJ-guide bar adjusting	12199-1	1
* 6	SCREW-les hd. w/washer, 10-24 x 1/4	99022	4	*35	ADJUSTER-guide bar	A-12127	1
* 7	SHIELD-cylinder	12074-3	1	*36	SCREW-guide bar adjusting	A-12122	1
* 8	SCREW-les hd. w/washer, 10-24 x 1/2	99204	2	*37	COVER-gear	12104	1
* 9	RECEPTACLE-transformer	12029	1	*38	SCREW-pas washer hd., 6-32 x 5/8	82251	2
*10	LEAD-one terminal	A-12224	1	*39	SCREW-6-32 x 1/2	88826	2
*11	CONTACT-transformer	12196	2	*40	PLATE-endcut	12176-1	1
*12	LEAD-ground	A-12128	1	*41	GASKET-exhaust plate	12170	1
13	SCREW-Plastic pas hd., 6 x 3/8	82216	2	*42	WIFFLE-Block	A-12265	1
14	GROMMET	89279	1		Includes:		
*15	HOUSING-rotated starter	A-12134-1	1	*43	GASKET-washer	12180	1
30	Includes: SCISSOR-rope	83385	1	*44	SPACER-washer	A-12272	1
31	ROPE-starter (1/8" #1)	83384	1		Includes:		
32	HOOK-rope retaining	88827	1	45	NUT-counterlock, 10-22	81296	2
33	ROPE-starter rope	84100-A	1	46	SCREW-flat hd., 10-22 x 1/32	88828	2
*34	SCREW-les hd. w/washer, 10-24 x 1-1/8	88823	1	*47	SCREW-les w/washer, 10-24 x 1/32	88820	2
*35	COVER-starter	12003	1	*48	PLUG-cylinder shield	12120	1
*36	SCREW-les hd., w/washer, 8-32 x 1/2	88821	2	*49	HEAT EXCHANGER (see note)	12120	1
*37	DECAL-starter cover	12199	1		* ASSEMBLED-approx (accessory)	12270	
38	LOCK-spring	81000	1				
39	SPRING-rotated	85301	1				
*40	SHIELD-spring	12052	1				
*41	FULLY & CLIP	A-12224	1				
*42	SHIELD-pulley	12089	1				

Note: When using Heat Exchanger, Index #49, the cylinder shield Plug, Index #48, and the air inlet screws, Index #51 shown in Fig. 2, must be removed.

*Denotes new parts

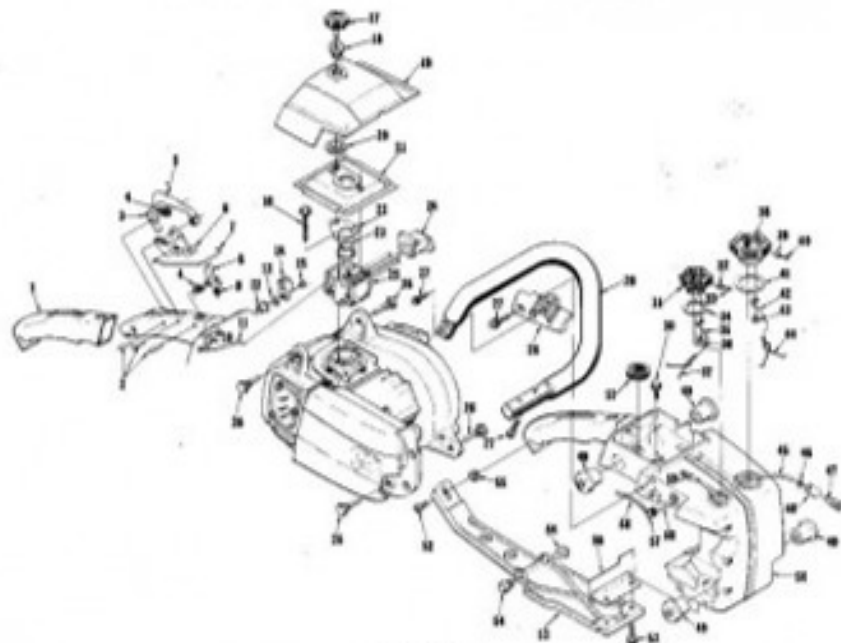


FIGURE 2

No.	Description	Part No.	Qty.	No.	Description	Part No.	Qty.
* 1	GRIP-elastic handle	12044	1	* 31	CAP-rod filter	A-12022	1
* 2	FIN-dowel	71479	2		Includes:		
* 3	LEVER-trigger lock	12092	1	* 32	VALVE-check (oval duckbill)	69651	1
* 4	SPRING-washer	12001	2	* 33	FILTER-filter cap	69654	1
* 5	LOCK-trigger	12080	1	* 34	GASKET-oil cap	12124	1
* 6	DRUMMER	12098	1	* 35	CHAIN-head	69592	1
* 7	ROD-elastic	12078-1	1	* 36	SCREW-pan hd. Flange, 4 x 1/4	69234	1
* 8	LATCH-trigger	12091-1	1	* 37	RETAINER	69593	1
* 9	SCREW-trigger lock	12094-1	1	* 38	CAP-rod filter	A-69590	1
* 10	SHAFT-choke	A-12027	1		Includes:		
* 11	ROD-choke	12143-1	1	* 39	VALVE-check (oval duckbill)	69651	1
* 12	BUSHING	12147	1	* 40	FILTER-filter cap	69654	1
* 13	WASHER-wave	12152	1	* 41	GASKET-head cap	69601	1
* 14	KNOB-choke	12145	1	* 42	CHAIN-head	69592	1
* 15	SCREW-hex hd. w/washer, 10-24 x 1-2/4	69020	1	* 43	SCREW-pan hd. Flange, 4 x 1/4	69234	1
* 16	SCREW-hex hd. w/washer, 10-24 x 1-2/4	69025	2	* 44	RETAINER	69593	1
* 17	NUT-filter cover mounting	A-12132	1	* 45	LINK-bar	A-69593	1
* 18	DISHING-rod	12139	1	* 46	WASHER	64392	1
* 19	COVER-air filter	12033-3	1	* 47	PISTON-UP-bar	A-69292	1
* 20	NUT-push-in spring	12140	1	* 48	Includes: FILTER-rod	A-69593-1	1
* 21	FILTER ELEMENT-air	A-12023	1	* 49	BRACKET-rodman	12281	1
* 22	PLATE-sorting	12171-1	1	* 50	HOUSING-rodman	A-12294	1
* 23	DISHING-Stage	12180-1	1	* 51	Includes: SCREEN-air inlet (New)	12281	1
* 24	CRANKET-"IE-LOW"	12184	1	* 52	SCREW-hex hd. w/washer, 10-24 x 1/4	69234	2
* 25	CARBURETOR	A-12360	1	* 53	BRACE-handle	12012-2	1
* 26	FIN-rotator	12130	1	* 54	DISC-rod	12096	2
* 27	SCREW-10-24 x 1/4	69022	8	* 55	NUT-hex, 10-24	61205	1
* 28	BRACKET-handle bar	12050-2	1	* 56	DEFLECTOR-air (rotator)	A-12070	1
* 29	HANDLE BAR	A-12207	1	* 57	FITTING-rod bar	12100	1
* 30	SCREW-hex hd. w/washer, 10-24 x 5/16	69020	2	* 58	LINK-rod	12365	3
				* 59	FINISH-rod	A-61072	1

* Denotes new parts

Note: Use zinc screws, locks #51 when using Heat Exchanger

ALWAYS FURNISH MODEL AND SERIAL NUMBER WHEN ORDERING PARTS

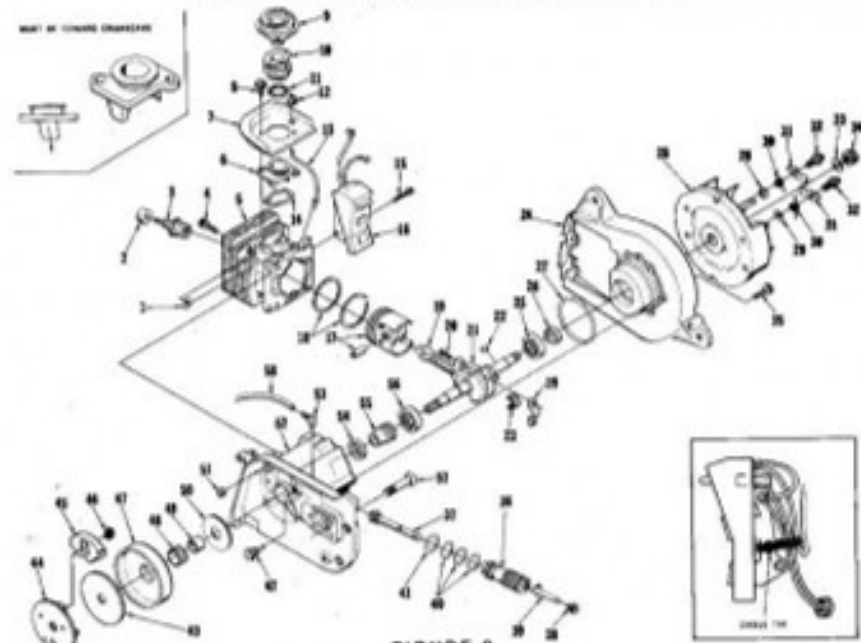


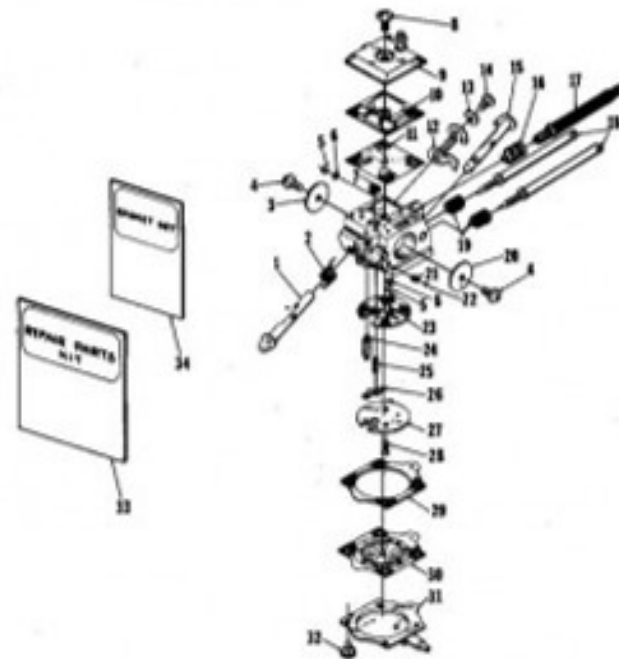
FIGURE 3

No.	Description	Part No.	Qty.	No.	Description	Part No.	Qty.
* 1	WASHER	12001	4	* 33	WASHER-5/8	64900	1
* 2	CRANKET-spark plug	12281	1	* 34	NUT-3/8-24	61220	1
* 3	SPARK PLUG	61220-6	1	* 35	SCREW-hex hd. w/washer, #10-24 x 1/4	69022	2
* 4	SCREW-sec. M., cap, 10-24 x 1/4	62362	4	* 36	PUMP-automatic oiler	A-12301	1
* 5	CYLINDER	A-12268	1		Includes:		
* 6	MANIFOLD-intake	12048	1	* 37	PLUNGER-oil pump	A-12292	1
* 7	DEFLECTOR-air (rotator)	12161-1	1	* 38	SCREW-hex hd. w/washer, 8-32 x 3/8	69028	1
* 8	SCREW-hex hd. w/washer, 10-24 x 1/4	69024	2	* 39	LEVER-oil adjustment	12161	1
* 9	FLANGE-carburetor connector	12002-1	1	* 40	"O" RING	12085	2
* 10	CONNECTOR-carburetor	12048	1	* 41	"O" RING	12105	1
* 11	SPRING-rotor	12271	1	* 42	PIN & PLUG	A-12144	1
* 12	CRANKET	62760	1	* 43	COVER-choke	69671	1
* 13	LINK-piston	A-12086	1	* 44	CLUTCH ASSEMBLY	A-69608	1
* 14	GASKET-intake adapter	12047	1		Includes:		
* 15	SCREW-hex hd. w/washer, 8-32 x 1-1/4	62374	2	* 45	PLATE-choke	60708-2	1
* 16	NOZZLE & CORE	12059	1	* 46	ROD-choke	69420	2
* 17	PISTON & PIN	A-12287	1	* 47	SPRING-choke	62977	2
* 18	Includes: PISTON RING	12049	2	* 48	DRUM & SPROCKET (204, 10000 rpm)	A-69665	1
* 19	ROD-comparing	A-12048-1	1	* 49	BEARING-needle	14154	1
	Includes:			* 50	FACE-temer	62860-A	1
* 20	SCREW-sec. M., 8-32 x 5/16	69005	2	* 51	WASHER-choke	62860	1
* 21	CRANKSHAFT	12017-1	1	* 52	NUT-rotator/lock, #10-24	61200	1
* 22	KEY-woodruff	12076	1	* 53	CRANKCASE	A-12241	1
* 23	ROLLER-needle (set of 10)	A-12100	1		Includes:		
* 24	PLATE-back	A-12294	1	* 54	FITTING-rod bar	14154	1
* 25	Includes: BEARING-roller	62867	1	* 55	SEAL	12071	1
* 26	SEAL	12040	1	* 56	WORM	62867	1
* 27	"O" RING	69785	1	* 57	BEARING-roller	62867	1
* 28	ROTOR	12021	1	* 58	BOLT-guide bar	69755	2
* 29	WASHER-lock P/O	62046	2	* 59	LINK-rod	12365	1
* 30	SPRING-rotor part	12055	2	* 60	TIE-rod (positive lock)	12295	1
* 31	PAVIL-rotor	12056	2				
* 32	STUD-rotor part	61200	2				

* Denotes new parts

ALWAYS FURNISH MODEL AND SERIAL NUMBER WHEN ORDERING PARTS

350 · 350HG · 350SL automatic saws



A-12160 HDC - 16

No.	Description	Part No.	Qty.
* 1	SHAFT-needle	12278	1
2	SPRING-needle return	14798	1
3	VALVE-needle	12280	1
4	SCREW-needle	14732	2
5	RING-screen rotating	14780	2
6	SCREEN-check valve	14581	2
7	SCREEN-fuel inlet	14424	1
8	SCREW-fuel pump	47574	1
9	COVER-fuel pump	12588	1
10	GASKET-fuel pump	14759	1
11	DIAPHRAGM-fuel pump	12285	1
* 12	STOP-needle	12281	1
* 13	WASHER-#1	12280	1
* 14	SCREW-nut on rod, socket cap	6882	1
15	SHAFT-choke	12282	1
* 16	SPRING-choke adjustment	12283	1
* 17	SCREW-choke adjustment	12284	1
* 18	NEEDLE-choke adjustment	12285	1

†Indicates contents of Repair Kit 12279

*Denotes new parts

No.	Description	Part No.	Qty.
19	SPRING-needle adjustment	14777	2
20	VALVE-choke	47565	1
21	SPRING-choke friction	18428	1
22	BALL-choke friction	14081	1
23	GASKET-choke	14787	1
24	VALVE-choke needle	18429	1
* 25	SPRING-metering lever	12249	1
26	LEVER-metering	14783	1
* 27	PLATE-choke	12277	1
28	SCREW-choke plate	47555	2
29	GASKET-metering diaphragm	14421	1
30	DIAPHRAGM-metering	14781	1
* 31	COVER-metering diaphragm	12250	1
32	SCREW-covering cover	6880	4
* 33	SPARE KIT	12279	1
34	CARSET SET	50780	1
35	SPARE KIT-check valve	6888	1
36	DIAPHRAGM-check valve (necessary)	2472	1

†Indicates contents of Gasket Set

350HG automatic saws only

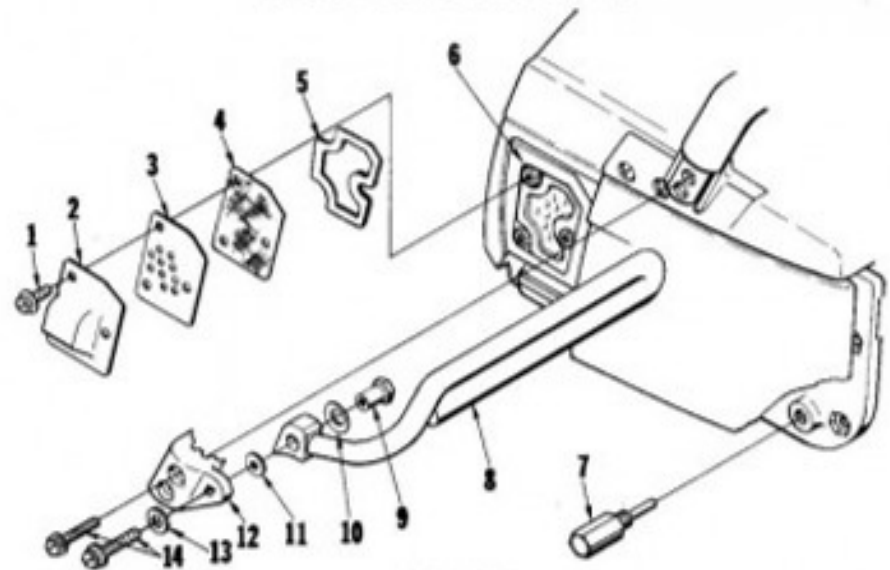


FIGURE 4

No.	Description	Part No.	Qty.
* 1	SCREW-1/2 x 1 1/2	8800	2
* 2	PLATE-muffler exhaust	12190-1	1
* 3	RAFFLE	12191	1
* 4	ARRESTOR-spark (necessary)	12170	1
* 5	GASKET-exhaust plate	12173	1
* 6	MUFFLER	A-12245	1
Includes:			
* 7	GASKET-muffler (shown on Fig. 3)	12180	1
* 8	FD-Indicator (continuous in fuel tank)	12181	1

No.	Description	Part No.	Qty.
* 9	KIT-hand guard	A-12235	1
Includes: GUARD-Backlash			
* 10	SPACER-out	12240	1
* 11	WASHER-cupped spring	12238	1
* 12	WASHER	5951-2	1
* 13	SPACER-hand guard	12239-1	1
* 14	WASHER	12238	1
* 15	SCREW-1/2 x 1 1/4 w/washer	12241 x 1-1/4 8802	2

ACCESSORIES

*ARRESTOR-spark	12170
*FLYER ELEMENT-air	12121
*KIT-Chain Brake	A-12227
*KIT-Hand Guard	A-12225
LDPE-fuel and oil (32 feet)	2850
ROPE-starting #1, 3/8 in. reel	2854

PAINT

SPRAY CAN-Black	12172
SPRAY CAN-Red	12173

*Denotes new parts

FOR ALL UNITS

TOOLS

ANVIL-bearing removal (brushless)	12244-1
ANVIL-bearing removal (brushless & backplate)	12244-2
*FLYER-bearing & seal installation & removal	24927
*FLYER-seal installation	24928
*FLYER-pump alignment	24929
PULLER-rod	A-12294
SLIWE-seal assembly (brushless & backplate)	12758
SLIWE-seal removal (brushless)	12759-4
*TOOL & FLIGHTER-plate pin	A-12471
*WRENCH-combination	A-12501
WRENCH-squarer (1" clutch)	A-12504-A
WRENCH-squarer spider (clutch)	A-12504

Refer to tool sheet #21870 for complete tool information.

350 SL automatic saws only

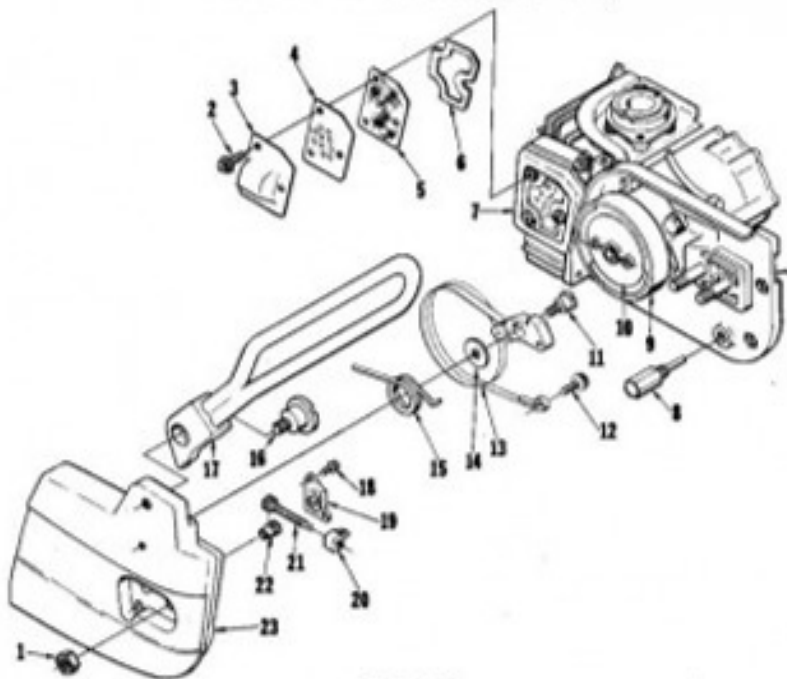


FIGURE 5

No.	Description	Part No.	Qty.
1	SCREW, 3/16-18	41396	2
2	SCREW-rod hd. w/washer, 8-32 x 3/4	44206	3
3	PLATE-muffler exhaust	12105-1	1
4	BAFFLE	12113	1
5	ABRASIVE-spark (necessary)	12170	1
6	GASKET-exhaust plate	12179	1
7	MUFFLER Inches	A-12285	1
8	GASKET-muffler (flange on fig. 5)	12090	1
9	VALVE-actuator (replaces to fuel tank)	12059	1
10	KIT-Chain Brake Inches	A-12237	1
11	DRUM & SPROCKET	A-12294-1	1
12	CLUTCH-"O" part shown	12122-2	1
13	PLATE-plate	12134	1
14	SCREW-shoulder	12173-1	1
15	SCREW-pas hd., 1/4-20 x 5/8	42259	1
16	SHAKE BAND & LEVER	A-12137	1
17	WASHER-spring retaining	12200	1
18	SPRING-tension	49532	1
19	SCREW-shoulder (brake lever)	12179-1	1
20	LEVER-brake w/guard	A-12156	1
21	SCREW-pas washer hd., 6-32 x 3/8	42252	2
22	COVER-gear	12134	1
23	PIVOT-rod bar adjusting	12130-1	1
24	SCREW-guide bar adjusting	A-12132	1
25	ADJUSTER-guide bar	A-12137	1
26	COVER-drivecase	A-12291-1	1

* Denotes new parts

Part No.	Description	Qty.	Part No.	Description	Qty.	Part No.	Description	Qty.	Part No.	Description	Qty.
*12091	Washer	4	*12134	Plate-plate	1	*A-12291-1	Cover-drivecase	1	44206	Kit-repair	1
*12092	Cover-air filter	1	*12135	"O" Ring	1	*12093	Washer	1	*12136-1	Plate-plate	1
*12093-1	Cover-air filter	1	*A-12136	Lever-brake	1	*A-12297-1	Cover-drivecase	1	44209-A	Nut-washer	1
*12094	Flange Ring	2	*A-12137	Shake Band Lever	1	*12290	Pin-rod	1	47360	Ring-screw	2
*12094-2	Flange-rod	1	*A-12290	Carburetor	1	*A-12291	Transmission	1	47365	Valve-choke	1
*12095	Masking-tape	1	*12291-1	Deflector-air	1	*12271-1	Screw-shoulder	1	47367	Gasket-circuit	1
*12096	Gasket-washer	1	*12292	Plate-guide bar	1	*12270-1	Screw-shoulder	1	47368	Gasket-fuel pump	1
*12097	Connector-wash.	1	*12293	Plate-guide bar	1	*12271	Cover-actuator	1	47369	Gasket-fuel	1
*12098	Spring-actuator	1	*12294	Lever-rod	2	*12272	Interplate	1	47370	Spring-rod	1
*12099	Shield-spring	1	*12275	Gasket-shoulder	1	*12269	Shocks & Core	1	47371	Spring-rod	1
*12100	Shield-actuator	1	*12276-1	Plate-shoulder	1	*A-12135	Lead-groove	1	47372	Screw-valve	2
*12101	Shield-actuator	1	*12185	Drivecase	1	*12184	Cover-rod	2	47374	Screw-fuel pump	1
*12102	Crosscut-Ri-Le	1	*12182	Reel-actuator	1	*12181-A	Screw-plate	2	47375	Screw-rod	1
*12103	Spring-actuator	2	*12185-1	Plate-muffler	1	*12185	"O"-Ring Plate	1	47376	Spring-rod	1
*12104	Fuel-actuator	2	*12186	Cover-fuel pump	1	12173	Plate-rod	1	47377	Spring-rod	2
*12105-2	Flange	1	*12187	Screw-rod	1	12136-6	Screw-rod	1	47381	Screw-rod valve	2
*A-12089-1	Connecting Rod	1	*12188	Reel-rod	2	12175	Plate-rod	1	47380	Lever-mechanism	1
*12091	Wash	1	*A-12189	Spring-rod	1	A-12090-A	Washer-spacer	1	A-49512	Lead-rod	1
*12094-1	Wash	1	*A-12190	Plug-actuator	1	12138	Nut	1	49279	Drivecase	1
*12094-2	Wash-cylinder	1	*A-12191	Flange	1	12040-1	Act	1	A-49520	Drum & Sprocket	1
*12095	Soft-rod	1	*A-12192	Plate-rod	1	12040-2	Act	1	49532	Reel-rod	1
*12096	Gasket-muffler	1	*A-12193	Valve & Cup	1	A-12094	Washer-spacer	1	49537	Reel-rod	1
*12097	Wash-pulley	1	*A-12194	Cap-rod	1	A-12095	Pulley-rod	1	49542	Spring-rod	1
*12098	Trigger	1	*A-12195	Filter-rod	1	12173	Drive	1	49543	Valve-rod	2
*12099-1	Lock-trigger	1	*A-12227	Reel-rod	1	*A-12094	Washer	1	49544	Filter-rod cap	2
*12099	Lever-trigger	1	*A-12224	Lead-rod tension	1	12136	Plug-rod	1	49545	Drive-rod	1
*12099	Lock-trigger	1	*A-12227	Kit-chain brake	2	*12137	Plug	1	*A-49549	Chain	1
*12099-1	Spring-trigger	1	*12230-1	Bracket-rod	1	*12148	Plug-rod pump	1	A-49550	Cap-rod filter	1
*12099	"O" Ring	2	*12230	Washer-rod	1	*A-12171	Reel & Flange	1	49551	Gasket-rod cap	1
*12099	Spacer	2	*12231	Spacer-rod	1	49548	Filter-rod	1	49552	Chain-rod	2
*12100	Pin-rod	4	*A-12232-1	Gasket-rod-rod	1	A-12159-1	Switch-grooving	1	49553	Reel-rod	2
*12101	Filter	1	*A-12233	Cylinder	1	12173	Soft-rod bar	2	49554	Spring-rod	1
*A-12090	Reel-rod	1	*12234	Spring-rod	1	12175	"O" Ring	1	49555	Lever-rod & rod	1
*12090	Reel-rod	1	*12235	Cover-rod	1	*12162-2	Washer	1	*12176	Pin-rod	2
*A-12097	Reel-rod	1	*A-12231	Crosscut	1	49551	Soft-rod	1	12094-A1	Reel	1
*12096-1	Reel-rod	1	*12232	Lead-rod	1	49549	Ground	1			
*12096	Reel-rod	1	*A-12236	Lead-rod	1	49571	Cover-rod	1	PARTS LIST		
*A-12112	Reel-rod	1	*A-12137	Pin-rod & rod	1	49569	Washer-rod	1			
*12096-2	Reel-rod	1	*A-12234	Kit-chain brake	1	*12167	Spring-rod	2	49565	6-32 x 5/16	2
*12097	Reel-rod	1	*A-12235	Kit-chain brake	1	A-49528	Pin-rod	1	49566	6-32 x 5/16	4
*12098	Reel-rod	1	*12236	Reel-rod	2	*12177	Spring-rod	2	49568	6-32 x 5/16	2
*12099	Reel-rod	1	*A-12237	Reel-rod	2	49590-1	Filter-rod	1	49569	6-32 x 1-1/4	2
*12100	Reel-rod	1	*A-12277	Plate-rod	1	49590	Washer	1	49571	6-32 x 1-1/4	2
*12101	Reel-rod	1	*12176	Soft-rod	1	49591	Valve-rod	1	49572	6-32 x 1-1/4	2
*12102	Reel-rod	1	*12177	Soft-rod	1	49592	Gasket-rod	1	49573	6-32 x 1-1/4	2
*12103	Reel-rod	1	*12178	Soft-rod	1	49593	Spring-rod	1	49574	6-32 x 1-1/4	2
*12104	Reel-rod	1	*12179	Soft-rod	1	49594	Spring-rod	1	49575	6-32 x 1-1/4	2
*12105	Reel-rod	1	*12180	Soft-rod	1	49595	Spring-rod	1	49576	6-32 x 1-1/4	2
*12106	Reel-rod	1	*12181	Soft-rod	1	49596	Spring-rod	1	49577	6-32 x 1-1/4	2
*12107	Reel-rod	1	*12182	Soft-rod	1	49597	Spring-rod	1	49578	6-32 x 1-1/4	2
*12108	Reel-rod	1	*12183	Soft-rod	1	49598	Spring-rod	1	49579	6-32 x 1-1/4	2
*12109	Reel-rod	1	*12184	Soft-rod	1	49599	Spring-rod	1	49580	6-32 x 1-1/4	2
*12110	Reel-rod	1	*12185	Soft-rod	1	49600	Spring-rod	1	49581	6-32 x 1-1/4	2
*12111	Reel-rod	1	*12186	Soft-rod	1	49601	Spring-rod	1	49582	6-32 x 1-1/4	2
*12112	Reel-rod	1	*12187	Soft-rod	1	49602	Spring-rod	1	49583	6-32 x 1-1/4	2
*12113	Reel-rod	1	*12188	Soft-rod	1	49603	Spring-rod	1	49584	6-32 x 1-1/4	2
*12114	Reel-rod	1	*12189	Soft-rod	1	49604	Spring-rod	1	49585	6-32 x 1-1/4	2
*12115	Reel-rod	1	*12190	Soft-rod	1	49605	Spring-rod	1	49586	6-32 x 1-1/4	2
*12116	Reel-rod	1	*12191	Soft-rod	1	A-49575	Filter-rod	1	49587	6-32 x 1-1/4	2
*12117	Reel-rod	1	*A-12236-1	Drive & Sprocket	1	49590	Masking-rod	1	49588	6-32 x 1-1/4	2

* Denotes new parts

HOMELITE

PORT CHESTER, NEW YORK, U.S.A. 0675