

PARTS LIST

HOMELITE

CHAIN SAW



SAW PARTS

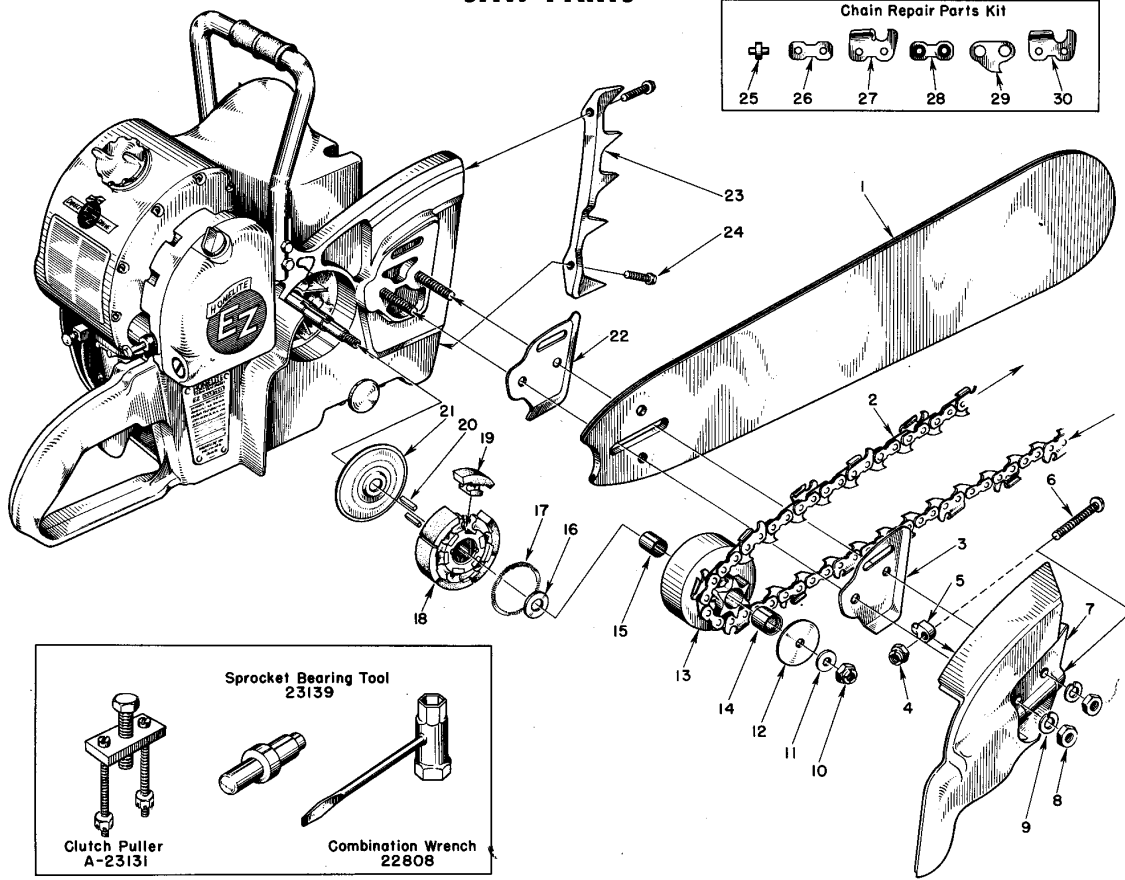


FIGURE 1

HOMELITE CHAIN SAW MODEL EZ

PARTS LIST FOR FIGURE 1

Index No.	Part No.	Nomenclature	No. Required	Index No.	Part No.	Nomenclature	No. Required
1	A-51517	17" BAR—extra hard tip—hard track	1	15	55661	RACE—inner	1
	A-51521	21" BAR—extra hard tip—hard track	1	16	55660	WASHER—thrust	1
	A-51525	25" BAR—extra hard tip—hard track	1		AA-55124-1	CLUTCH	1
2	A-51535	17" CHAIN—#62C with kit	1			Composed of	
	A-51536	21" CHAIN—#62C with kit	1	17	55123	SPRING—clutch	2
	A-51537	25" CHAIN—#62C with kit	1	18	55076-1	SHOE—clutch	6
3	55667	PLATE—guide bar, outer	1	19	55075	SPIDER—clutch	1
	A-55668	COVER—drive case	1	20	55225	KEY	2
		Composed of		21	55659	COVER—clutch	1
4	81123	NUT—hex lock	1	22	55666	PLATE—guide bar, inner	1
5	55613	PIN—guide bar adjusting	1	23	55632	PLATE—spiked bumper	1
6	80617	SCREW—5/16—18 x 2 rd. hd.	1	24	80573	SCREW—1/4-20 x 13/16 hex. hd.	2
7	*	COVER	1		A-51529	REPAIR KIT—#62C chain	1
8	81089	NUT—3/8—16 hex	2			Includes	
9	83018	WASHER—lock	2	25	51518	RIVET	4
10	81116	NUT—3/8—24 flex-lock	1	26	A-51528	LINK—connecting (w/rivets)	2
11	84010	WASHER—3/8 flat	1	27	51526	CUTTER—right	1
12	55163-1	WASHER—thrust	1	28	51519	LINK—connecting (plain)	2
13	A-55662	SPROCKET and DRUM (for 7/16 pitch chain)	1	29	51520	LINK—drive	1
14	55664	BEARING—needle (included in A-55662)	1	30	51527	CUTTER—left	1

*Not Sold Separately

CARBURETOR PARTS

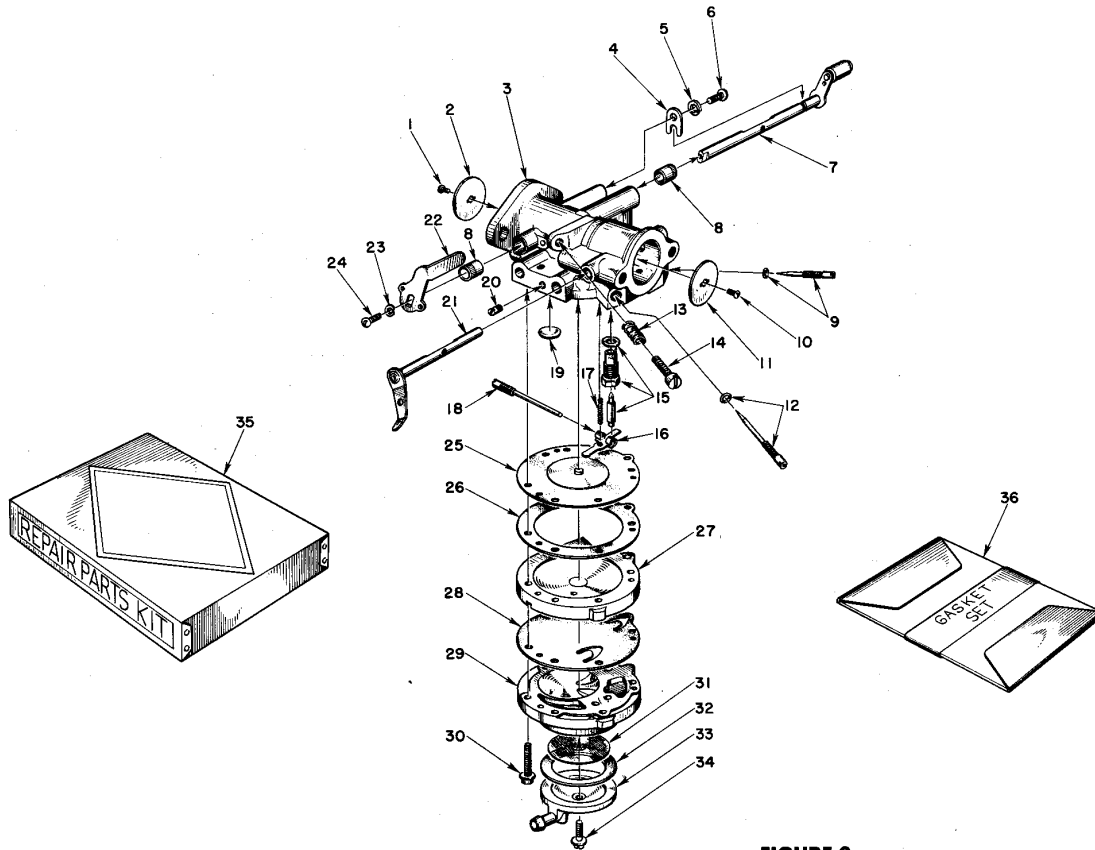


FIGURE 3

HOMELITE CHAIN SAW MODEL EZ

PARTS LIST FOR FIGURE 3

Index No.	Part No.	Nomenclature	No. Required	Index No.	Part No.	Nomenclature	No. Required
	A- 55610	CARBURETOR	1		55344	GASKET—inlet seat	1
		Composed of		16	†55747	LEVER—inlet control	1
1	†71519	SCREW—throttle shutter	1	17	†55759	SPRING—control lever	1
2	73272	SHUTTER—throttle	1	18	†A-55762	SCREW—pinion	1
3	A-55769	BODY—service	1	19	30818	PLUG	1
4	73086	CLIP—throttle shaft	1	20	28091	PLUG—drain	1
5	83000	WASHER—lock #8	1	21	A-55766	LEVER—choke	1
6	73088	SCREW—8-32 x 5/16 flat hd.	1	22	55694	LEVER—throttle stop	1
7	A-55765	SHAFT—throtle	1	23	†71522	WASHER—lock #4	1
8	72812	BUSHING—throttle shaft	2	24	†71521	SCREW—4-36 x 1/4 rd. hd.	1
9	†A-55768	SCREW—main adjustment (high speed)	1	25	†A-55760	DIAPHRAGM—Main	1
		Includes		26	55754	GASKET—Main Diaphragm	1
	55764	“O”-ring	1	27	55749	COVER—Main Diaphragm	1
10	28049	SCREW—choke shutter	1	28	†55753	DIAPHRAGM—Pump	1
11	73263	SHUTTER—choke	1	29	55748	BODY—pump	1
12	†A-55767	SCREW—idle adjustment (low speed)	1	30	55316	SCREW and WASHER	6
		Includes		31	†55752	SCREEN—fuel strainer	1
	55764	“O”-ring	1	32	55751	GASKET—Pump Cover	1
13	†28064	SPRING—idle stop screw	1	33	55750	COVER—pump	1
14	†71509	SCREW—idle stop (speed control)	1	34	55756	SCREW—retaining	1
15	†A-55761	INLET NEEDLE and SEAT	1	35	55837	REPAIR PARTS KIT	1
		Includes		36	†55836	GASKET SET	1

† Included in 55837 Repair Parts Kit

STARTER, HANDLE, PISTOL AND GRIP PARTS

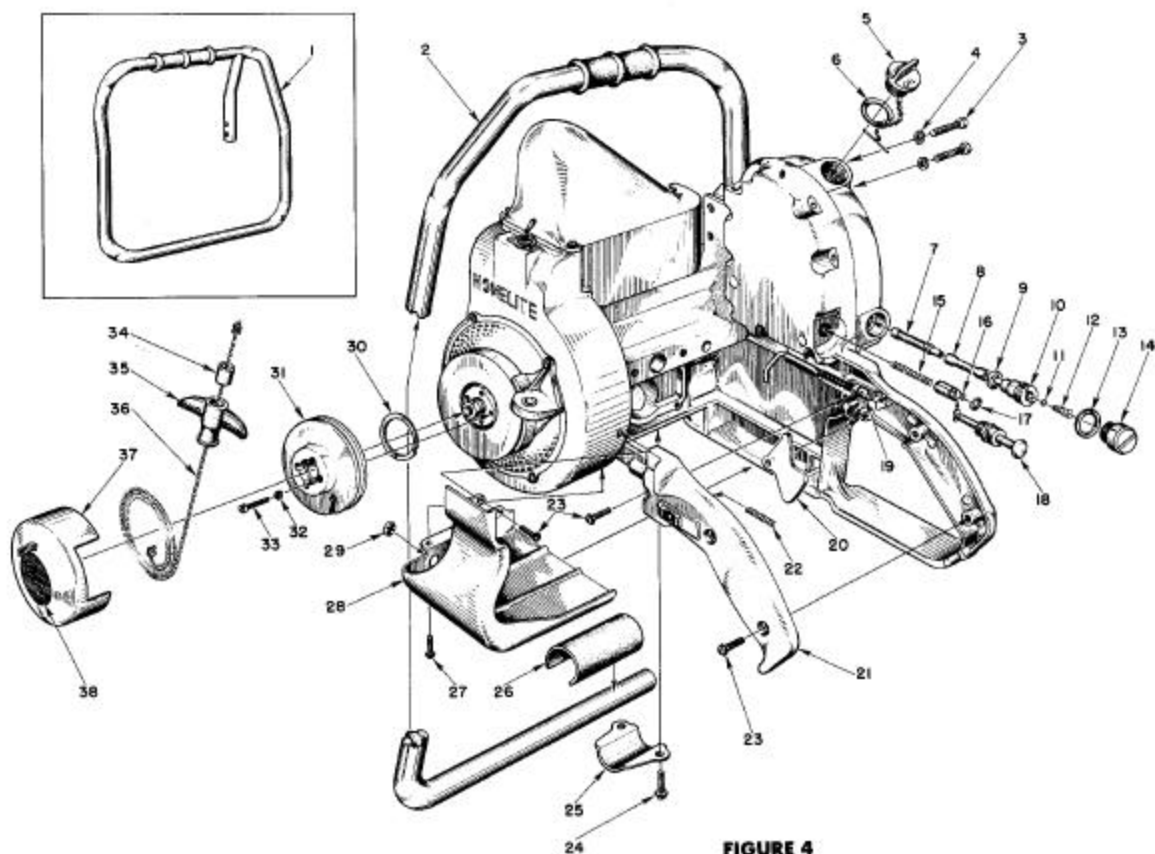


FIGURE 4

8

HOMELITE CHAIN SAW MODEL EZ

PARTS LIST FOR FIGURE 4

Index No.	Part No.	Nomenclature	No. Required	Index No.	Part No.	Nomenclature	No. Required
1	A-55808	HANDLE—wrap around	1	20	AA-55207	TRIGGER—throttle	1
2	A-55683	HANDLE—flush-cut	1	21	A-55631	COVER—grip	1
3	80087	SCREW—5/16-18 x 1½ hex hd.	2			Includes	
4	83003	WASHER—lock, 5/16	2	AA-55282	LOCK—throttle	1	
5	AA-71655-1	CAP—oil	1			Includes	
		Includes		22	72970	SPRING—throttle lock	1
6	72280	GASKET	1	23	80560	SCREW—8-32 x ½ pan hd.	5
7	AA-55259-A	FINDER—oil	1	24	80581	SCREW—¼-20 x ¾ hex hd.	2
8	55133-A	SLEEVE—flexible oil	1	25	55614	CLAMP—handle bar	1
9	55110	GASKET	1	26	55685	CUSHION—rubber	1
10	55109-A	FITTING—check valve	1	27	80625	SCREW—10-32 x ½ pan hd.	2
11	25527	BALL (5/32 dia.)	1	28	A-55682	SHIELD—carburetor	1
12	55288-A	SPRING	1			Includes	
13	55107	GASKET	1	29	55681	PLUG—button	1
14	A-55628	CAP—supply line	1	30	71588	SHIM—plastic	As req'd
15	71762	SPRING	1	31	A-55658	PULLEY (Includes 71577 pin)	1
16	A-74406	TUBE—plunger	1	32	83004	WASHER—lock #6	4
		Includes		33	80475	SCREW—6-32 x ¾ fil. hd.	4
17	74388	"O" ring	1	34	55369-A	INSERT	1
18	71764	BUTTON—plunger	1	35	71149-B	GRIP—starting	1
19	A-55630	ROD—throttle	1	36	55732	ROPE—starting	1
		Includes		37	AA-73234-4	COVER—starting pulley	1
55045-A		SPRING—throttle rod	1	38	†55817	DECAL ("Homelite EZ")	1

† Also used on Oil Reservoir Cover

9

HOMELITE

BALL DRIVE AND AIR SHROUD

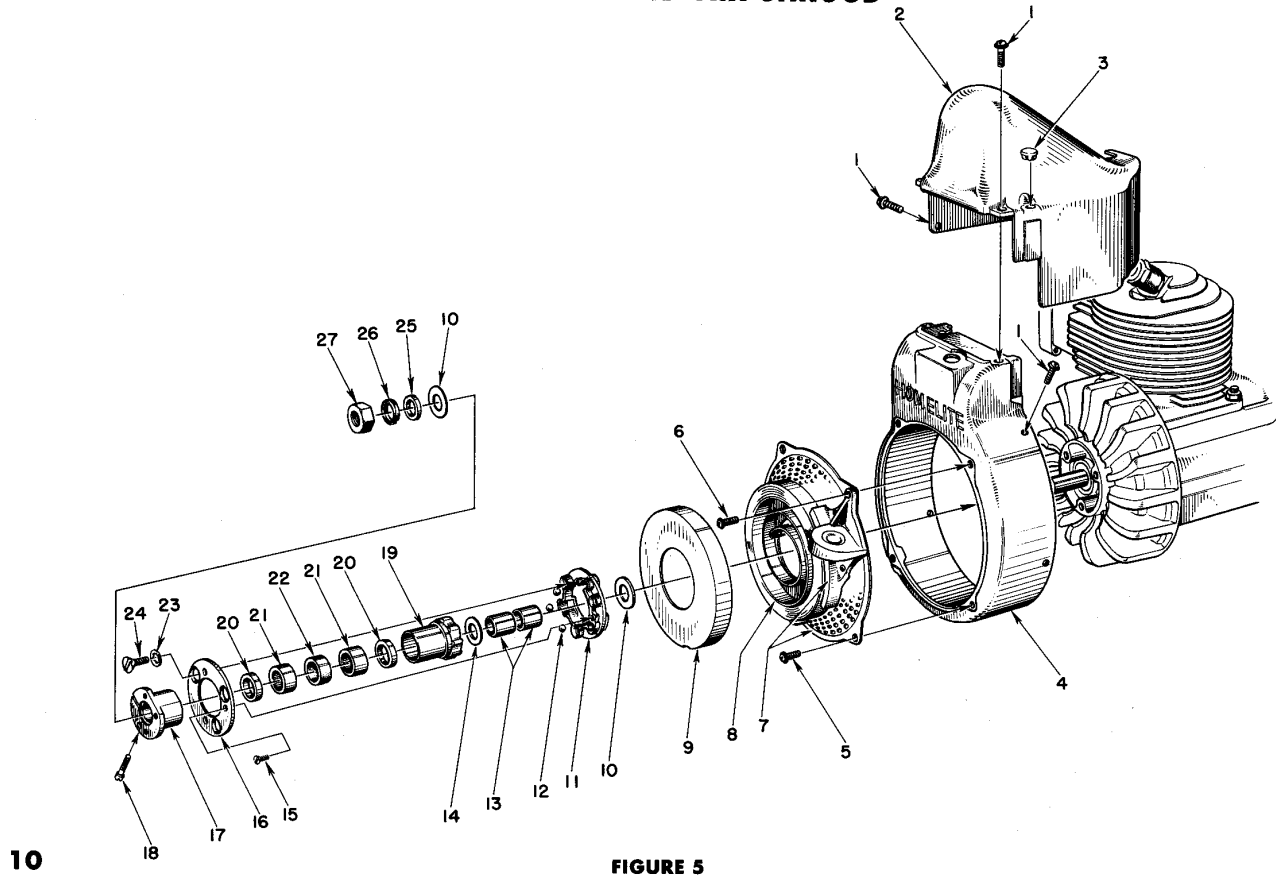


FIGURE 5

HOMELITE CHAIN SAW MODEL EZ

PARTS LIST FOR FIGURE 5

Index No.	Part No.	Nomenclature	No. Required
1	80577	SCREW—8-32 x 3/8 pan hd.	7
2	55015-1	SHIELD—cylinder	1
3	32814	PLUG—button	1
4	A-55650	SHROUD—air	1
5	80579	SCREW—10-32 x 3/8 pan hd.	3
6	80576	SCREW—10-32 x 9/16 (through bracket)	1
7	A-55654	SCREEN and BRACKET	1
		Includes	
	85073	RIVET—tubular	2
	A-55656	BRACKET and BUSHING	1
		Includes	
	55363-A	BUSHING	1
8	71470-A	SPRING—recoil	1
9	71603	COVER—spring housing	1
10	55652	WASHER—thrust	2
	AA-72308-1	BALL DRIVE	1
		Composed of	
11	71563-C	PLATE—ball drive	1
12	30355-1	Ball—steel	3

Index No.	Part No.	Nomenclature	No. Required
13	74221	RACE—inner	2
14	73525	WASHER—ratchet	1
15	80464	SCREW—5-40 x 5/16 flat hd.	3
	AA-72307	RATCHET and HUB	1
		Composed of	
16	71570-B	RETAINER—ball	1
17	71579-1	HUB—ratchet	1
18	72295	SCREW—ratchet hub	1
	AA-72306	RATCHET and BEARING	1
		Composed of	
19	71565-1	RATCHET	1
20	71597	SEAL—garlock	2
21	71596	BEARING—needle	2
22	71595	WICK—felt	1
23	83074	WASHER—lock, countersunk 1/4	3
24	80173	SCREW—1/4-20 x 3/8 flat hd.	3
25	84055	WASHER—flat aluminum, 7/16	1
26	83019	WASHER—lock, 7/16	1
27	81110	NUT—7/16-20 hex-jam	1

ENGINE ASSEMBLY

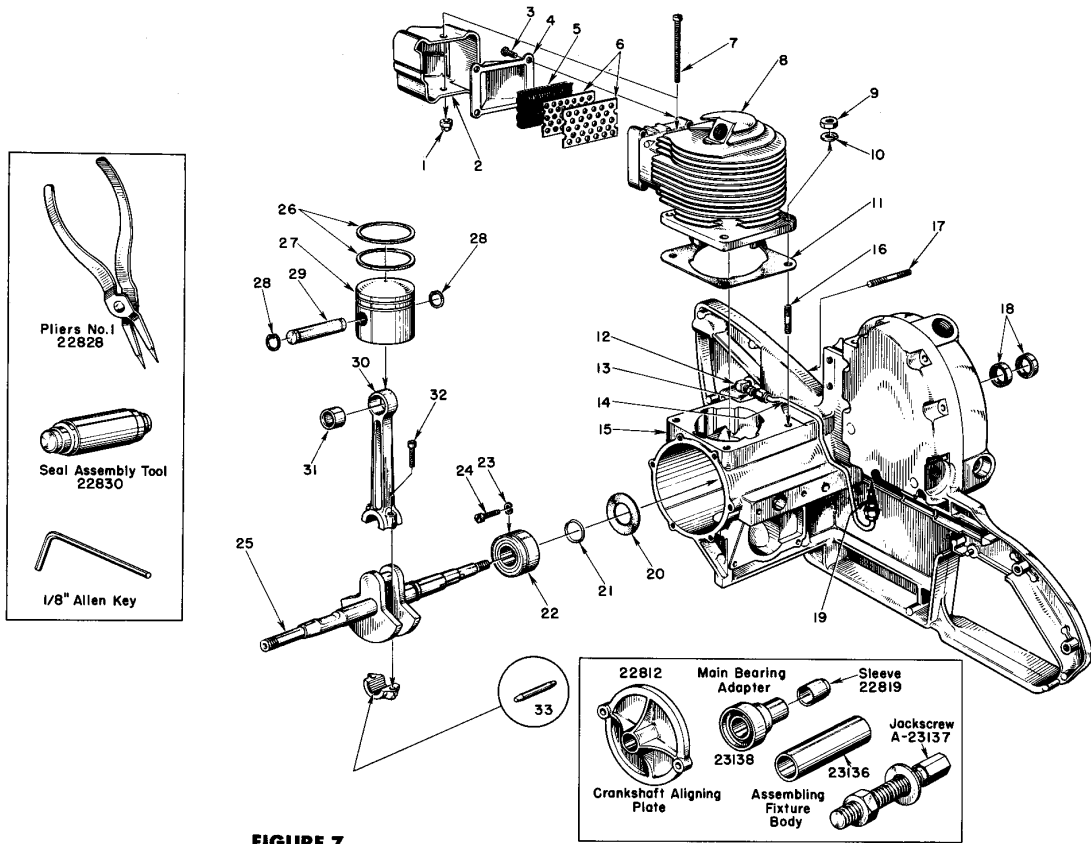


FIGURE 7

14

HOMELITE CHAIN SAW MODEL EZ

PARTS LIST FOR FIGURE 7

Index No.	Part No.	Nomenclature	No. Required
1	81109	NUT—10-32 flex-lock	1
2	55506-2	DAMPER—heat	1
3	80630	SCREW—6-32 x 1/2 pan hd.	4
4	55507	CAP—exhaust	1
5	55508	ELEMENT—muffler	1
6	55509	RETAINER—element	2
7	80618	SCREW—10-32 x 2 1/4 rd. hd.	1
8	55490	CYLINDER	1
9	81065	NUT—hex 1/4-28	4
10	83009	WASHER—lock, 1/4	4
11	55050-A	GASKET—cylinder	1
12	31734	ELBOW—connector, 90°	1
13	31733-1	ADAPTER—straight	1
14	A-55625	LINE—chain oil	1
15	A-55835	CRANKCASE	1
		Includes	
16	71304	STUD—cylinder	4
17	55623	STUD—guide bar	2
18	71597	SEAL—garlock	2
	*	PIVOT—throttle trigger	1

Index No.	Part No.	Nomenclature	No. Required
	55372	PAD—felt	1
19	A-55824	VALVE—check	1
20	55048	GASKET—crankcase sealing	1
21	55047	RING—snap	1
22	55193	BEARING—main	1
23	83061	WASHER—lock, special thin	2
24	19238-A	SCREW—main bearing retaining	2
25	55523	CRANKSHAFT	1
26	55537	RING—piston	2
27	A-55599	PISTON and PIN	1
		Includes	
28	55095	RING—piston pin retaining	2
29	*	PIN—piston	1
30	AA-55195	CONNECTING ROD	1
		Includes	
31	55196	BEARING—piston pin	1
32	80541	SCREW—8-32 x 1/2 allen cap	2
33	AA-55280	ROLLERS (set)	1
		Composed of	
	72256	ROLLER—needle	27

* Not supplied separately

15

HOMELITE