

Homelite

**ZIP ZIP-A ZIP-B
600-D 600-D1 600D-A**

PCPS23794



HOMELITE CHAIN SAW
SERIES

600
D

FIGURE 1

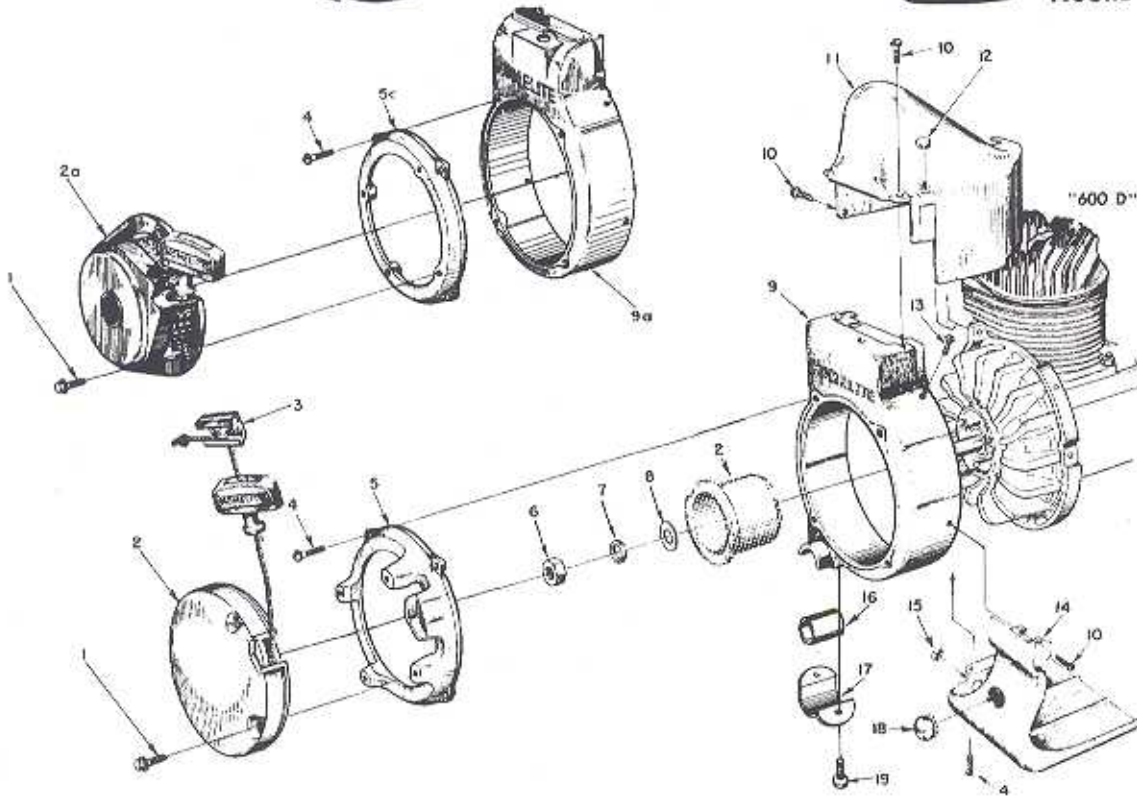
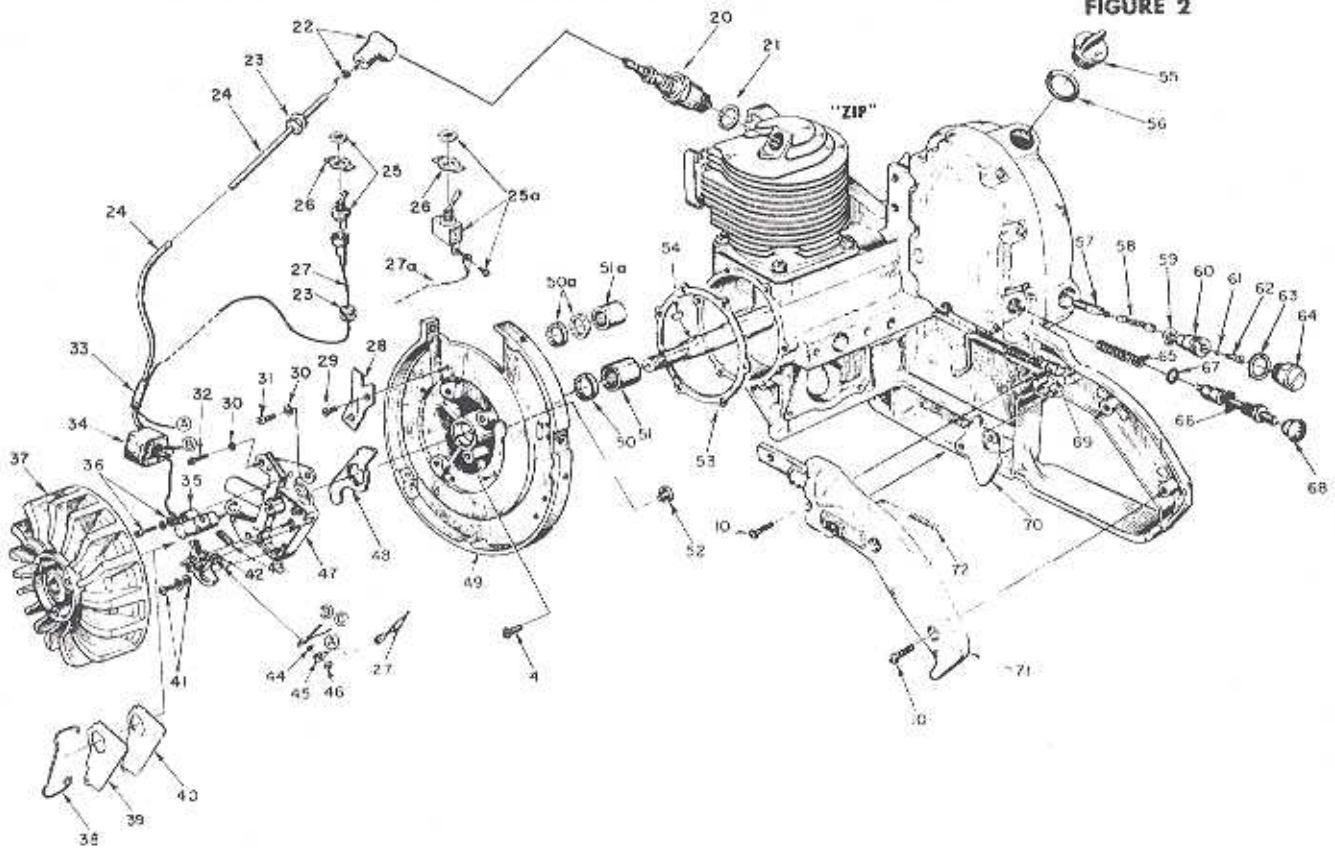


FIGURE 2





HOMELITE CHAIN SAW SERIES



Circled asterisk * denotes a part that may require adaptation for use in some saws; see notes.

Blue circled numerals (C) refer to note numbers on page 6.

No.	Description	Part No.	6000						Qty.	No.	Description	Part No.	6000						Qty.	
			6000	6000A	1P-153	1P-100	1P-A	1P-B					6000	6000A	1P-153	1P-100	1P-A	1P-B		
1	SCREW-hex hd., 12-24 x 1 hex hd., 5-20 x 1/2	80664 80681	*	*	*	*	*	*	4	40	GASKET - dust cover	55978-2 55978	*	*	*	*	*	*	1	1
2	STARTER ASSEMBLY & CUP	A-58313 A-56487-1	*	*	*	*	*	*	1	41	SCREW GROUP - point SCREW - point	57743 55985	*	*	*	*	*	*	1	1
2a	Includes: INSERT - rope	58517	(C)	(C)	(C)	(C)	(C)	(C)	1		Use: WASHER-lock #8 WASHER-flat #8	82060 84048	*	*	*	*	*	*	1	1
3a	GRIP	55927	*	*	*	*	*	*	1	42	POINTS-breaker (set)	A-58165 A-55971	*	*	*	*	*	*	1	1
4	SCREW-pan hd., 10-32 x 3/8	80578	*	*	*	*	*	*	10	43	Includes: WICK-felt	55944	*	*	*	*	*	*	1	1
5	ADAPTER-starter	58279-2 58426	*	*	*	*	*	*	1	44	WASHER - terminal	55943	*	*	*	*	*	*	1	1
5a			*	*	*	*	*	*	1	45	TAB - ground terminal	57733	*	*	*	*	*	*	1	1
6	NUT-hex jam, 7/8-20	83110	*	*	*	*	*	*	1	46	NUT - terminal	55982	*	*	*	*	*	*	1	1
7	WASHER-lock, 3/8	83019	*	*	*	*	*	*	1	47	BOX - breaker w/core	57744 55989	*	*	*	*	*	*	1	1
8	WASHER-flat, 3/8	84055	*	*	*	*	*	*	1	48	WASHER-sealing (felt)	56292-A 55989	*	*	*	*	*	*	1	1
9	SHROUD - air (fan housing)	A-57643-3 A-56550-3	(C)	*	(C)	(C)	*	*	1	49	BACK PLATE Includes: #50, #51, #52 #50, #51 #50a, #51a	A-57715 A-58166 A-56080-A	*	(C)	*	(C)	*	*	1	1
9a			(C)	*	(C)	(C)	*	*	1	50	SEAL	56134 71597	*	*	*	*	*	*	1	2
10	SCREW-pan hd., 8-32 x 1/2	80568	*	*	*	*	*	*	5	50a	BEARING - needle	57533 55204	*	*	*	*	*	*	1	1
11	SHIELD - cylinder	55615-3	*	*	(C)	(C)	*	*	1	51	PLUG - button	32814	*	*	*	*	*	*	1	1
12	PLUG - button	32814	*	*	*	*	*	*	2	51a	GASKET - back plate	55049	*	*	*	*	*	*	1	1
13	SCREW-pan hd., 8-32 x 3/8	80577	*	*	*	*	*	*	3	52	KEY - rotor	75078	*	*	*	*	*	*	1	1
14	SHIELD - carburetor	55312-5	(C)	(C)	(C)	(C)	*	*	1	53	CAP - oil w/ #56607 w/ #72280	A-56380 A-56448	(C)	(C)	(C)	(C)	(C)	*	1	1
15	PLUG - button	55681	*	*	*	*	*	*	1	54	Includes: GASKET	56507 72280	(C)	(C)	(C)	(C)	(C)	*	1	1
16	CUSHION - handle bar	56291	*	*	*	*	*	*	1	55	FINDER - oil	A-58449	(C)	(C)	(C)	(C)	(C)	(C)	1	1
17	CLAMP-handle bar to housing	56282-A	*	*	*	*	*	*	1	55a	SLEEVE - flexible	59000	(C)	(C)	(C)	(C)	(C)	(C)	1	1
18	PLUG - button	29187	*	*	*	*	*	*	1	56	GASKET	55110	*	*	*	*	*	*	1	1
19	SCREW-rod, hd., 12-24 x 1/2	80821	*	*	*	*	*	*	3	57	FITTING - valve seat	59450	(C)	(C)	(C)	(C)	(C)	(C)	1	1
20	SPARK PLUG	40190-S	*	*	*	*	*	*	1	58	BALL-check, 1/8 diam.	25227	*	*	*	*	*	*	1	1
21	Includes: GASKET	25038	*	*	*	*	*	*	1	59	SPRING	59092	(C)	(C)	(C)	(C)	(C)	(C)	1	1
22	TERMINAL-cover & spring	A-55373-A	*	*	*	*	*	*	1	60	GASKET	55107	*	*	*	*	*	*	1	1
23	GROMMET	60929	*	*	*	*	*	*	2	61	CAP	A-55628	*	*	*	*	*	*	1	1
24	LEAD - high tension	55235-A	(C)	*	(C)	(C)	*	*	1	62	SPRING	59293	(C)	(C)	(C)	(C)	(C)	(C)	1	1
25	SWITCH-toggle w/ #26	A-57716	*	*	*	*	*	*	1	63	PLUNGER-oil (no button)	A-57834-10	(C)	(C)	(C)	(C)	(C)	(C)	1	1
25a	w/out #26	A-57650-2	*	*	*	*	*	*	1	64	Includes: "O" RING	59074	*	*	*	*	*	*	1	1
26	PLATE - "on-off"	55879	*	*	*	*	*	*	1	65	"O" RING	74388	*	*	*	*	*	*	1	1
27	LEAD - ground	A-57740	*	*	*	*	*	*	1	66	BUTTON	57289-1	(C)	(C)	(C)	(C)	(C)	(C)	1	1
27a		56029	*	*	*	*	*	*	1	67	ROD - throttle	A-56449	*	*	*	*	*	*	1	1
28	CLAMP - lead	55595-1	*	*	*	*	*	*	1	68	Includes: SPRING	55045-A	*	*	*	*	*	*	1	1
29	SCREW-flat hd., 6-32 x 3/8	80699	*	*	*	*	*	*	2	69	TRIGGER - throttle	AA-55207	*	*	*	*	*	*	1	1
30	WASHER - lock	83046	*	*	*	*	*	*	3	70	COVER - grip	A-56631	*	*	*	*	*	*	1	1
31	SCREW-Bl. hd., 10-24 x 1/2	80595	*	*	*	*	*	*	1	71	Includes: LOCK-throttle w/ #72	AA-55282	*	*	*	*	*	*	1	1
32	SCREW-Bl. hd., 10-24 x 3/8	80660	*	*	*	*	*	*	2	72	SPRING-lock	72970	*	*	*	*	*	*	1	1
33	SLEEVE - insulating	56027	*	*	*	*	*	*	1											
34	COIL - w/terminals	55986-A	(C)	(C)	(C)	(C)	(C)	(C)	1											
35	CONDENSER - w/terminal	55987	*	*	*	*	*	*	1											
36	SCREW GROUP-condenser SCREW - condenser Use: WASHER-lock #8 WASHER-flat #8	57750 55988 83060 84048	*	*	*	*	*	*	1											
37	ROTOR	57585-A 58026-A	(C)	(C)	(C)	(C)	(C)	(C)	1											
38	CLAMP-dust cover	55980	*	*	*	*	*	*	1											
39	COVER - dust	55978	*	*	*	*	*	*	1											

TOOLS

Description	Part No.
COMBINATION WRENCH	A-22868
PLIERS - snap ring	22828
REMOVER - rotor	AA-22560
PLATE - crankshaft aligning	22812
PLATE - crankshaft aligning	22812-1
PLUG - back plate seal	22830-A
PLUG - back plate seal	23243
PULLER - clutch spider	A-23131
BODY - assembly	23136

PAINT

Description	Part No.
SPRAY CAN - blue	23318
SPRAY CAN - red	23771
SPRAY CAN - green	23343

DECALS

Description	Part No.
JACK SCREW	A-23137
ADAPTER - bearing assembly	23138-1
PLUG - clutch spider	23139
PLUG - rod bearing	23234
PLUG - back plate bearing	22831
PLUG - back plate bearing	23391-1
WRENCH - socket head screw	22125
WRENCH - socket head screw	23525
SPANNER WRENCH	23710

Replacement DECAL #23742, composed of "DIRECT DRIVE", "GEAR DRIVE", "STARTING INSTRUCTIONS", and "HOMELITE" in letters 1/2" and 1/4" high.



HOMELITE CHAIN SAW
SERIES



Circled asterisk * denotes a part that may require adaptation for use in some saws, see notes.

Blue circled numerals (1) refer to note numbers on page 6.

No.	Description	Part No.	0000	000000	000000	000000	000000	000000	000000	000000	Qty.
1	SCREW-pan hd., 10-32 x 1/2	80625	*	*	*	*	*	*	*	*	2
2	ELEMENT & CAP-exhaust element only	A-56613-A A-56068-A	*	*	*	*	*	*	*	*	1
3	CAP - exhaust	56296	*	*	*	*	*	*	*	*	1
4	RING - piston	55038 55337	*	*	*	*	*	*	*	*	2
5	PISTON & PIN	A-55279 A-55599	*	*	*	*	*	*	*	*	1
6	Includes:RING-retainer	55495	*	*	*	*	*	*	*	*	1
7	CONNECTING ROD	A-59483	*	*	*	*	*	*	*	*	2
8	Includes:BEARING	59351	*	*	*	*	*	*	*	*	1
9	SCREW, 8-32 x 3/16	80805	*	*	*	*	*	*	*	*	2
10	ROLLERS (set of 27)	AA-55280	*	*	*	*	*	*	*	*	1
11	CRANKSHAFT	57550 56423-A	*	*	*	*	*	*	*	*	1
12	BEARING - main	56097-S	*	*	*	*	*	*	*	*	1
13	RING - snap	56109	*	*	*	*	*	*	*	*	1
14	GASKET - crankcase seal	55048-A	*	*	*	*	*	*	*	*	1
15	SCREW-bearing retainer	19238-A	*	*	*	*	*	*	*	*	2
16	WASHER - lock (thin)	83081	*	*	*	*	*	*	*	*	2
17	CRANKCASE-w/pivot pin (service replacement)	A-57640-B	*	*	*	*	*	*	*	*	1
18	Includes:BOLT-guide bar	57175	*	*	*	*	*	*	*	*	2
18a	STUD - guide bar	55623	*	*	*	*	*	*	*	*	2
19	PIN - bolt	41738	*	*	*	*	*	*	*	*	2
20	STUD - cylinder & tank tank (only)	55871 57713	*	*	*	*	*	*	*	*	6
21	COVER - oil reservoir	A-55621-A	*	*	*	*	*	*	*	*	1
	GASKET - cover	55833	*	*	*	*	*	*	*	*	1
	SCREW - self tap	88622	*	*	*	*	*	*	*	*	9
22	OIL LINE	A-55625	*	*	*	*	*	*	*	*	1
23	ELBOW - 90°	56707	*	*	*	*	*	*	*	*	1
24	GASKET - cylinder	56864	*	*	*	*	*	*	*	*	1
25	CYLINDER	56403-3 56182-2	*	*	*	*	*	*	*	*	1
25a		81063-2	*	*	*	*	*	*	*	*	4
26	NUT - hex 1/4-28	83008	*	*	*	*	*	*	*	*	6
27	WASHER - lock 1/4	83008	*	*	*	*	*	*	*	*	6
28	SCREW-pan hd., 5-32 x 1/2	80630	*	*	*	*	*	*	*	*	2
29	CAP - air filter	55494-2	*	*	*	*	*	*	*	*	1
30	AIR FILTER	57337-A	*	*	*	*	*	*	*	*	1
31	CAP - fuel tank	A-64140-A	*	*	*	*	*	*	*	*	1
32	Includes:GASKET	38957	*	*	*	*	*	*	*	*	1
33	DECAL	64134	*	*	*	*	*	*	*	*	1
34	NUT-flex loc, 1/4 - 28	81114 81108	*	*	*	*	*	*	*	*	1
34a	SCREW-pan hd., 10-32 x 1/2	80572	*	*	*	*	*	*	*	*	1
35	WASHER - flat	84019	*	*	*	*	*	*	*	*	1
36	FUEL TANK(replacement)	A-57781-A	*	*	*	*	*	*	*	*	1
37	STRAINER-fuel pick-up	A-58253	*	*	*	*	*	*	*	*	1
38	Includes:ELEMENT- felt	39253	*	*	*	*	*	*	*	*	1
40	GASKET (cement to tank)	57041	*	*	*	*	*	*	*	*	1
41	FITTING - outlet	55572-A	*	*	*	*	*	*	*	*	1
42	GASKET - outlet fitting	55676	*	*	*	*	*	*	*	*	1
43	SLEEVE - flexible	55886	*	*	*	*	*	*	*	*	1
44	FITTING - fuel, straight	57652	*	*	*	*	*	*	*	*	1
44a	elbow	74917	*	*	*	*	*	*	*	*	1
45	GASKET - adapter	55859	*	*	*	*	*	*	*	*	1
46	ADAPTER - air filter	55819-3	*	*	*	*	*	*	*	*	1
47	SCREW-pan hd., 10-32 x 1	80624	*	*	*	*	*	*	*	*	2
48	SCREW-pan hd., 10-32 x 1/2	80572	*	*	*	*	*	*	*	*	2
49	FUEL LINE-max. length 4'	57763	*	*	*	*	*	*	*	*	1
	" " 5'	55880	*	*	*	*	*	*	*	*	1

No.	Description	Part No.	0000	000000	000000	000000	000000	000000	000000	000000	Qty.
50	GASKET - adapter	72971-1	*	*	*	*	*	*	*	*	1
51	CARBURETOR - Service replacement	A-57440	*	*	*	*	*	*	*	*	1
52	NUT - hex 1/4 - 20	81613	*	*	*	*	*	*	*	*	2
53	GASKET - carburetor	55539-3	*	*	*	*	*	*	*	*	1
54	PAD - felt	55372	*	*	*	*	*	*	*	*	1
55	VALVE - check	A-59456	*	*	*	*	*	*	*	*	1
56	GASKET - adapter	55116	*	*	*	*	*	*	*	*	1
57	ADAPTER-reed valve	A-55679-A1	*	*	*	*	*	*	*	*	1
58	Includes:STUD	27464	*	*	*	*	*	*	*	*	2
59	SCREW-pan hd., 10-32 x 1/4	80583	*	*	*	*	*	*	*	*	3
60	SPACER - adapter	55934	*	*	*	*	*	*	*	*	1
61	STUD	55945	*	*	*	*	*	*	*	*	2
62	GASKET-adapter spacer	55946	*	*	*	*	*	*	*	*	1
63	ADAPTER-reed valve	55932-7	*	*	*	*	*	*	*	*	1
64	SCREW-pan hd., 1-40 x 3/8	80658	*	*	*	*	*	*	*	*	8
65	PLATE-reed	55942	*	*	*	*	*	*	*	*	4
66	REED	55941-1	*	*	*	*	*	*	*	*	4
67	HANDLE-Flush cut										
	1 clamp mount	A-57836	*	*	*	*	*	*	*	*	1
	2 clamp mount	A-58287	*	*	*	*	*	*	*	*	1
68	CUSHION-clamp (2 mount)	56281	*	*	*	*	*	*	*	*	1
69	CLAMP-handle (2 mount)	56282-A	*	*	*	*	*	*	*	*	1
70	SCREW-hex hd., 12-24 x 1/2	80821	*	*	*	*	*	*	*	*	2
71	SCREW-hex hd., 1/4 - 20 x 1/2	80581	*	*	*	*	*	*	*	*	2
72	CLAMP - handle	55614	*	*	*	*	*	*	*	*	1
73	CUSHION - clamp	55685	*	*	*	*	*	*	*	*	1
74	SCREW-hex hd., 3/8 - 19 x 1 1/2	80087	*	*	*	*	*	*	*	*	2
75	WASHER - lock, 3/8	83003	*	*	*	*	*	*	*	*	2
76	SCREW-hex hd., 1/4 - 20 x 1 1/8	80573	*	*	*	*	*	*	*	*	2
77	PLATE-spliked bumper	55632-1	*	*	*	*	*	*	*	*	1
78	PLATE - inner guide bar	56871-A	*	*	*	*	*	*	*	*	1
79	COVER - clutch	56101-A	*	*	*	*	*	*	*	*	1
80	KEY - clutch	55225-1A	*	*	*	*	*	*	*	*	2
81	SHOE - clutch	55076-3	*	*	*	*	*	*	*	*	3
			*	*	*	*	*	*	*	*	6
82	SPIDER - clutch	55075-4	*	*	*	*	*	*	*	*	1
83	SPRING - clutch	55123-C	*	*	*	*	*	*	*	*	2
84	WASHER - thrust	55660-1	*	*	*	*	*	*	*	*	1
85	RACE - inner	55661	*	*	*	*	*	*	*	*	1
86	SPRKT. & DRUM-open type										
	7 tooth, 3/8 pitch	A-56377	*	*	*	*	*	*	*	*	1
	6 tooth, 1/2 pitch	A-56019	*	*	*	*	*	*	*	*	1
	8 tooth, .404 pitch	A-57347	*	*	*	*	*	*	*	*	1
	7 tooth, .404 pitch	A-57344	*	*	*	*	*	*	*	*	1
87	Includes:BEARING, needle	55664	*	*	*	*	*	*	*	*	1
86a	SPRKT. & DRUM-rim type										
	7 tooth, 3/8 pitch	A-57363-A1	*	*	*	*	*	*	*	*	1
87a	Includes:BEARING, needle	77403	*	*	*	*	*	*	*	*	1
88	WASHER - thrust	55163-1	*	*	*	*	*	*	*	*	1
89	WASHER - flat, 3/8	84010	*	*	*	*	*	*	*	*	1
90	NUT - lock, 3/8 - 24	81192	*	*	*	*	*	*	*	*	1
91	COVER - drive case	A-55688	*	*	*	*	*	*	*	*	1
92	Includes:NUT-hex lock	81153	*	*	*	*	*	*	*	*	1
	PIN-adjusting	55613-1	*	*	*	*	*	*	*	*	1
	SCREW - 3/8 - 18 x 2	80617	*	*	*	*	*	*	*	*	1
95	PLATE-outer guide bar	56872-B	*	*	*	*	*	*	*	*	1
96	WASHER - lock, 3/8	83018	*	*	*	*	*	*	*	*	2
97	NUT - 3/8 - 16	81689-2	*	*	*	*	*	*	*	*	2

† NOTE: Check type and number of teeth on sprocket before ordering.



HOMELITE CHAIN SAW
SERIES

600
D

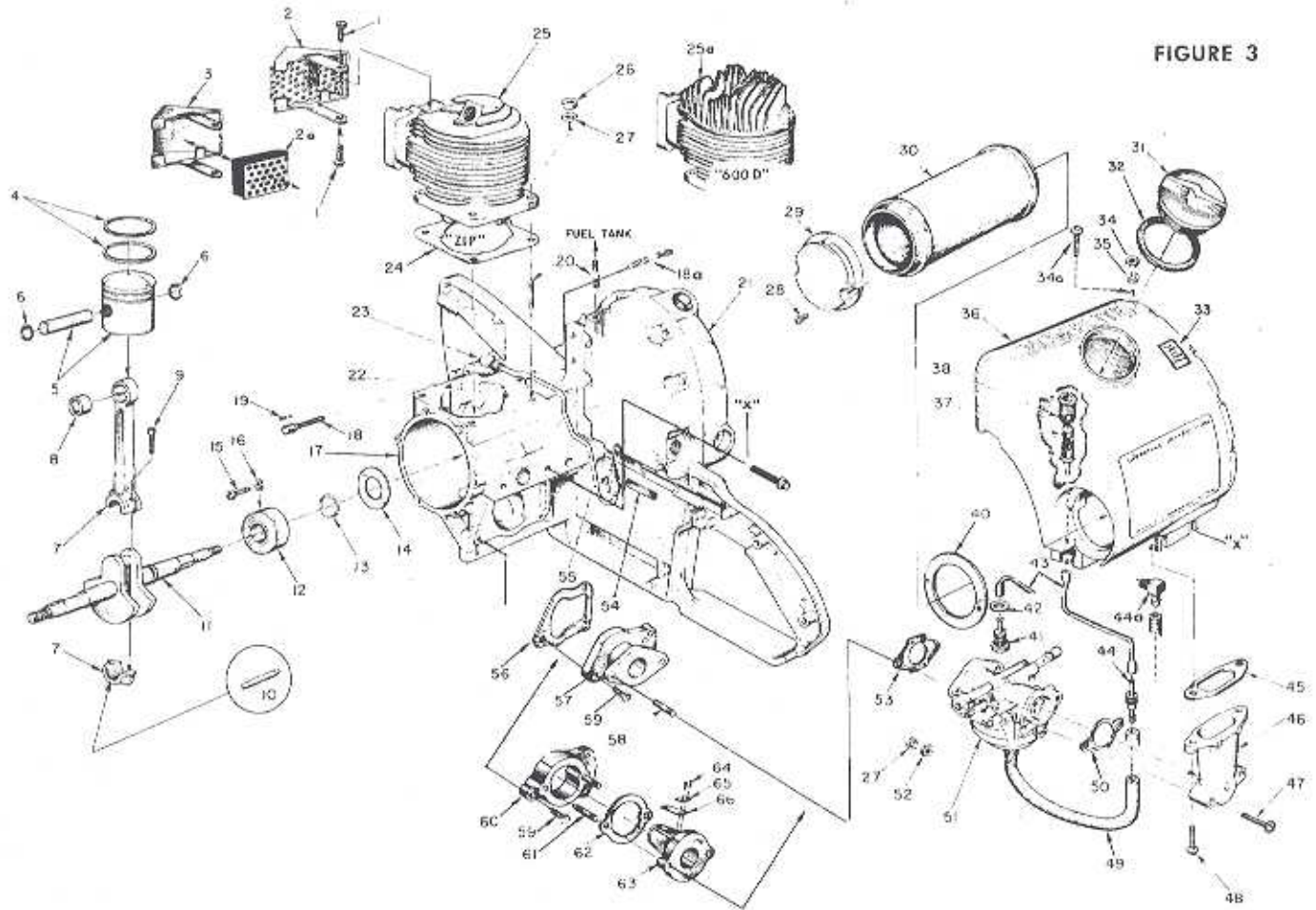


FIGURE 3

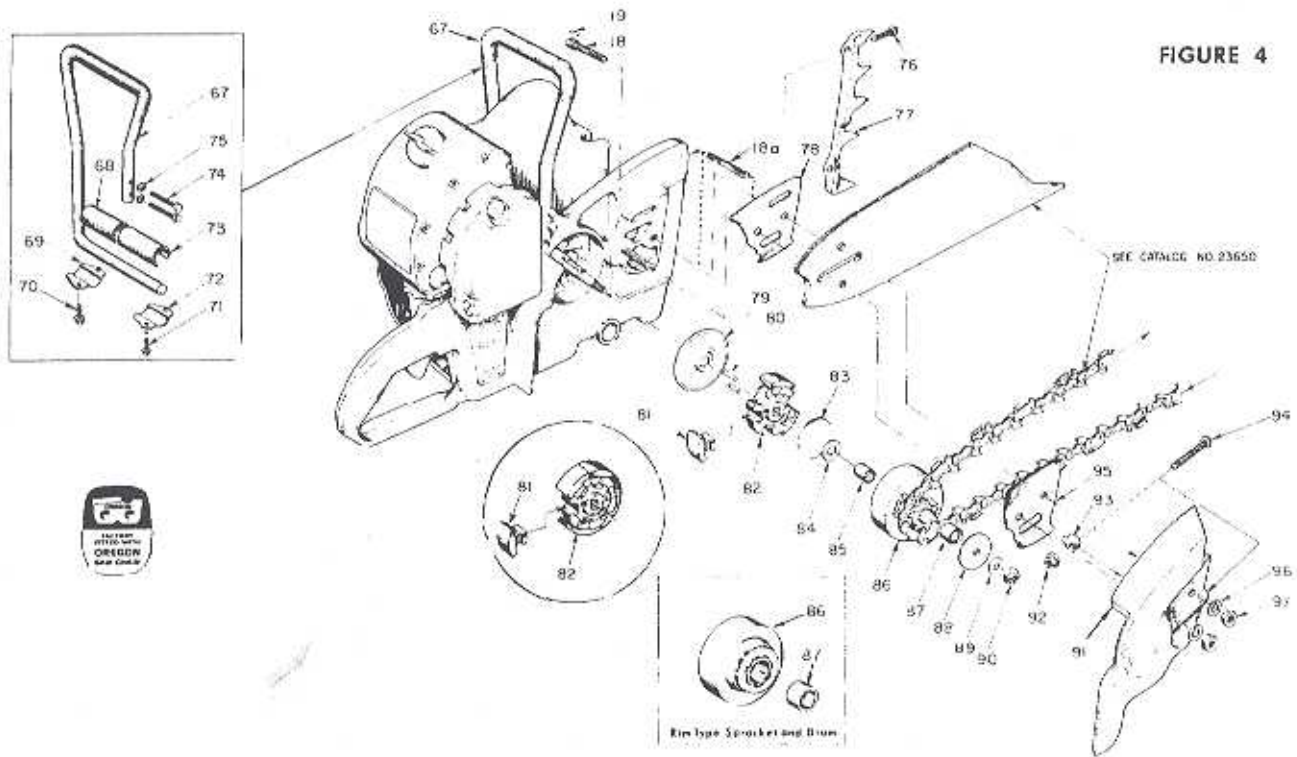


FIGURE 4



Rim Type Sprocket and Drive



NOTES

- 1 STARTER ASSEMBLY - Refer to F-M Starter Parts Sheet #23649-A (revised 12-63) for starter parts. Assembly #A-56437-1 supersedes #A-56437.
- CUP, starter - Illustrated to show assembly sequence; refer to F-M Starter Parts Sheet #23649-A (revised 12-63) for part numbers.
- INSERT, rope retaining - #58517 supersedes assembly #A-56081 (with two #80619 screws); included in complete starter assembly.
- 2 SHIELD, cylinder - #55015-3 (thicker) supersedes #55015-1; requires longer #80560 SCREW (below).
- SCREW - #80560 used with #55015-3 shield; #80577 (Index #13) used with original (thinner) shield.
- 3 SHIELD, carburetor - #55512-3 supersedes #55512-1.
- SCREW - #80576 (10-32 x) replaces #80625 (10-32 x).
- 4 CUSHION, clamp - #56281 used with #A-57648-1 housing.
- CLAMP, handle - #56282-A used with #A-57648-1 housing.
- SCREW - #80821 supersedes #80289 screw (12-24 x) and #83056 lockwasher (#12).
- 5 SPARK PLUG - Cold weather operation may require hotter plug; see SM#355-CS.
- TERMINAL - #A-55373-A provides improved seal for better starting. see SM#465-CS.
- 6 LEAD, high tension - #55235-A (8" - 5MM O. D. high tension cable) supersedes #56029 (7' long).
- SWITCH, toggle - #A-57650-2 supersedes #A-55877 and #AA-72894-A.
- 7 COIL - #53986-A may be used with original rotor (without "-A" suffix); new rotor (with "-A" suffix) requires new coil. See SM#433-CS.
- ROTOR - #57568-A supersedes #57568; requires new coil (with "-A" suffix). See SM#433-CS. #56026-A supersedes #6026 requires new coil. see SM#433-CS.
- POINTS - #A-58165 supersedes #A-57745; see SM#392-CS.
- 8 BACK PLATE -#A-58166, service replacement, supersedes #A-57806, #A-56080-A supersedes #A-56080.
- 9 CAP, oil -#A-56580 (- 16 thrd.) required in new A-55621-A oil reservoir cover with - 16 holes. #A-56448 (- 14 thrd.) supersedes #AA-71655-1 (- 14 thrd.) used in original oil reservoir cover with - 14 hole. See SM#387-CS.
- GASKET - #56607 used with #A-56580 cap; #72280 used with #A-56448 or #AA-71655-1 caps.
- COVER, oil reservoir - #A-53621-A supersedes #A-53621, requires #A-56580 oil cap included in service replacement crankcase. See SM#187-CS.
- ELBOW #56707 replaces #31734 (elbow) and #1733-J (adapter).
- 10 FINDER, oil - #A-59449 supersedes #AA-55479-A; not interchangeable; see SLEEVE, FITTING, SPRING, VALVE.
- SLEEVE, flexible - #59680 supersedes #55133-A; not interchangeable; see FINDER, FITTING, SPRING, VALVE.
- FITTING, valve seat - #59453 supersedes #55109-A; not interchangeable; see FINDER, SLEEVE, SPRING, VALVE.
- SPRING - #59022 supersedes #55288-A; not interchangeable; see FINDER, SLEEVE, FITTING, VALVE.
- VALVE, check -#A-58456 supersedes #A-55824; not interchangeable; see FINDER, SLEEVE, FITTING, SPRING.

- PLUNGER, oil -#A-57834 - 10 (without button) supersedes #A-57834-8, "-5" (w/out button) and also #A-57834, "-1" and "-3" with button. See SPRING and BUTTON (below).
- SPRING - #59293 used only with #A-57834-8 plunger. #71762 used with earlier type plungers.
- "O" RING - #A-57834-b, "-5", and "-1" plunger use only I #74388 "O" ring.
- BUTTON - #57289-1 now supplied separately.
- 11 CONNECTING ROD - #AA-55195-B supersedes #AA-55195-A; See SM#114-CS.
- SCREW - #80305 supersedes #80541 and #80541-A.
- CRANKCASE - #A-57640-B supersedes #A-57640-A, A-57640, #A-57697, and #A-56292. See BOLT, STUD, (below) for variations.
- BOLT- #57175 (with #41738 pin) in crankcase #A-57640-B, #A-57640-A and #A-57640.
- STUD -#53623 used in crankcase #57097, A-56282, A-56161-A, #A-56161, and #A-55855.
- PIN - #41738 used w/#57175 guide bar bolt, see BOLT (above).
- STUD -#55871 (fuel tank) fits service replacement crankcase #A-57640-B only, enlarge diameter of fuel tank hole to accommodate large stud. See NUT and WASHER (below).
- #57713 (fuel tank) fits earlier crankcases with 10 - 32 tap lock insert for fuel tank attachment, interchangeable with #80572 screw. See NUT and SCREW (below).
- NUT - #81114 used with #55871 stud (above) and #80019 flat washer (below).
- #81108 used with #57713 stud (above).
- SCREW - #80572 used in earlier crankcases with 10 - 32 tap lock insert; interchangeable with #57713 stud and #81108 nut (above).
- WASHER -#80019 used with #81114 nut on #55871 stud (above).
- 12 GASKET, cylinder - #56864 supersedes #55050-A.
- 13 SCREW - #80630 supersedes #80571; see SM#322-CS.
- AIR FILTER - #57337-A supersedes #57337 and #56464; see SM#322a-CS, #384-CS.
- CAP, fuel tank #A-64140-A cap with relief valve is the service replacement for #A-56907, #A-56908 and #A-55385 which are no longer available. (See VALVE below)
- VALVE, relief #56805 is used in old caps A-56907 and #A-56908, A-55391-U is used in A-55385 cap (which has been discontinued) is retained with three #80382 screws and #83082 lockwashers. Cap A-64140-A has built in relief valve.
- FUEL TANK - #A-57781-A service replacement (diameter of hole in mounting lug enlarged to) supersedes #A-57781 and #A-55671 which have diameter hole in mounting lug. Also see Note 11, STUD #55871.
- STRAINER, fuel pick-up - #A-59251 supersedes #A-56200.
- ELEMENT, felt- #59253 supersedes #74374 which also used #56196 bumper.
- GASKET - #57041 with longer #80630 screws must be used with #57337-A filter (see above).
- FITTING, outlet- #55572-A used in original fuel tanks; not required in #A-57781-A or #A-57781 replacement tanks.
- GASKET, outlet fitting -#55670 used with #55572 fitting (above).
- FITTING, fuel line - #57652 used with replacement fuel tanks #A-57781-A and #A-57781.
- #74917 elbow used in original fuel tanks.

(continued on page 2)



NOTES

- ① CARBURETOR-VA-57440 (HL-104A, HL-105A) service replacement: use #58191 REPAIR PARTS KIT, #55836 GASKET SET and refer to CARBURETOR PARTS SHEET #23534-A. Original carburetor #A-56484 (HL-46B) no longer available, use #77343 REPAIR PARTS KIT, #57919 GASKET SET, and refer to CARBURETOR PARTS SHEET #23521-A. Original carburetor #A-56505-A (6-CP) no longer available, use #77343 REPAIR PARTS KIT, #77336 GASKET SET, and refer to CARBURETOR PARTS SHEET #23520.

NOTE: #23731 CARBURETOR REPLACEMENT & REPAIR PARTS LIST is a quick reference for service replacement carburetors and fast-moving carburetor parts.

GASKET, carburetor - #55553-3 supersedes #55553.
REED-#55941-1 (stainless steel) supersedes #55941; see SM#437-CS.

- ② HANDLE - VA-57836 (dash cut) supersedes #A-56693, #A-56466, VA-57637 HANDLE w/brace can also be used without brace.

- ③ PLATE, inner guide bar - #56871-A supersedes #56871 and #55898.
PLATE, outer guide bar - #56872-B supersedes #56872-A, #56874, and #55667.
- ④ COVER, clutch - #56101-A supersedes #56101, use #55075-3A spider, #55659-B supersedes #55659-A; use #55075-A spider. See SM#170-CS, 273-CS.
KEY - #55225-1A supersedes #55225-1, #55225.
SHOE, clutch - #55076-1A supersedes #55076-1.
SPIDER, clutch - #55075-3A supersedes #55075-3, #55075-1A; used with #56101-A clutch cover.
#55075-A supersedes #55075, used with #55659-B clutch cover. See SM#170-CS and 273-CS.
SPRING, clutch - #55123-C supersedes #55123-B, #55123-A, #55123; use only in pairs. See SM#317-CS.
NUT - #81182 supersedes #81116, permits use of #22808 combination wrench.
- ⑤ SPROCKET & DRUM - #A-56377 supersedes #A-56602; see SM#217-CS.
#A-57363-A supersedes #A-57363.

HOMELITE

HOMELITE

A **textron** DIVISION

PORT CHESTER, N. Y.



supersedes 23794, 23311, 23311-A, 23311-B, 23470, 23470-A